



Chipsmall Limited consists of a professional team with an average of over 10 year of expertise in the distribution of electronic components. Based in Hongkong, we have already established firm and mutual-benefit business relationships with customers from,Europe,America and south Asia,supplying obsolete and hard-to-find components to meet their specific needs.

With the principle of “Quality Parts,Customers Priority,Honest Operation,and Considerate Service”,our business mainly focus on the distribution of electronic components. Line cards we deal with include Microchip,ALPS,ROHM,Xilinx,Pulse,ON,Everlight and Freescale. Main products comprise IC,Modules,Potentiometer,IC Socket,Relay,Connector.Our parts cover such applications as commercial,industrial, and automotives areas.

We are looking forward to setting up business relationship with you and hope to provide you with the best service and solution. Let us make a better world for our industry!



## Contact us

Tel: +86-755-8981 8866 Fax: +86-755-8427 6832

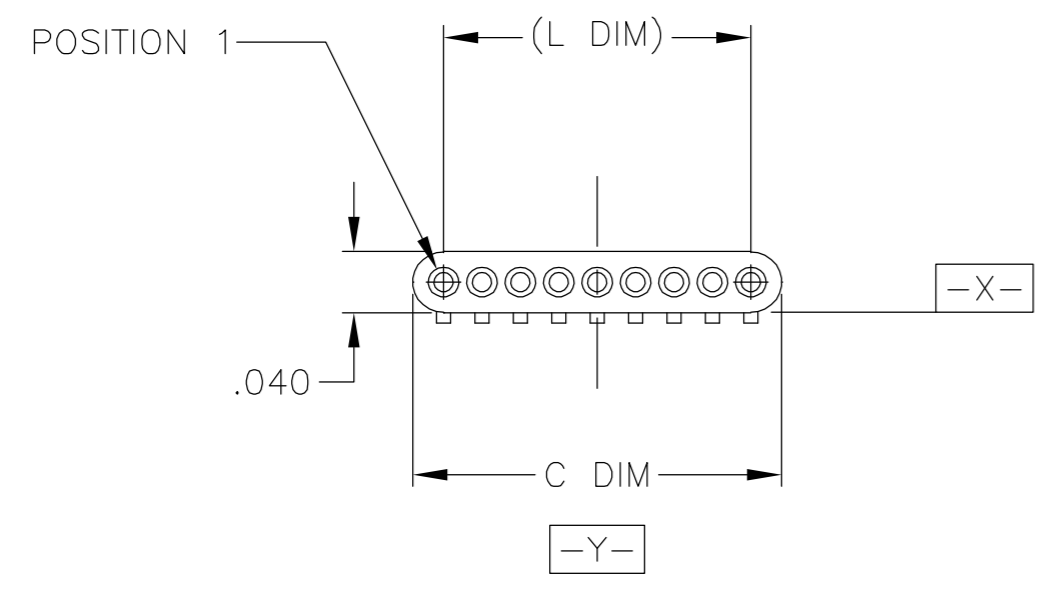
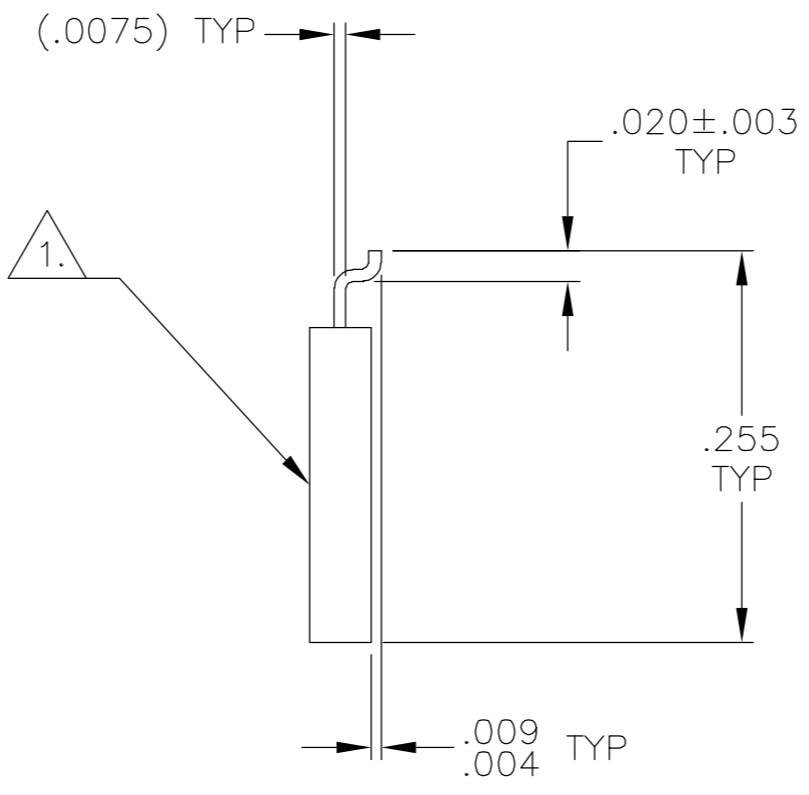
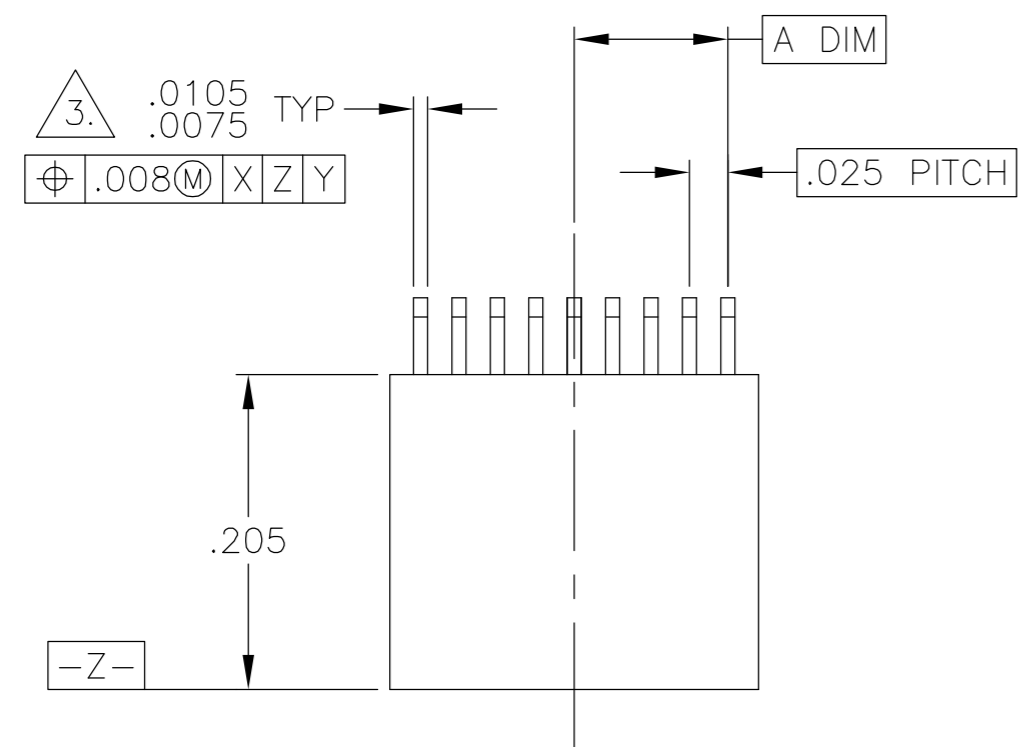
Email & Skype: info@chipsmall.com Web: www.chipsmall.com

Address: A1208, Overseas Decoration Building, #122 Zhenhua RD., Futian, Shenzhen, China



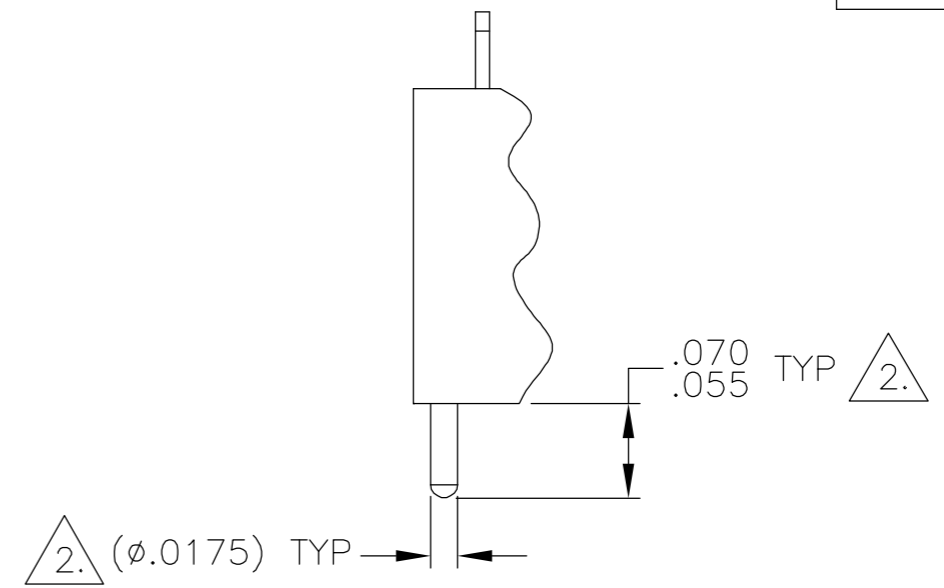
THIS DRAWING IS UNPUBLISHED. RELEASED FOR PUBLICATION  
 © COPYRIGHT BY TYCO ELECTRONICS CORPORATION. ALL RIGHTS RESERVED.

LOC	DIST	REVISIONS					
DF	D0	P	LTR	DESCRIPTION	DATE	DWN	APVD
		R		UPDATE PER 0H2Y-0008-04	9 JAN 04	CAS	MKS



SIZE	A DIM	C DIM	(L DIM)
04	.0375	.115	(.075)
09	.100	.240	(.200)
15	.175	.390	(.350)

5.	25	.300	.640	(.600)
5.	37	.450	.940	(.900)
5.	51	.625	1.290	(1.250)



DETAIL A  
POSITION "T" SHOWN FOR REFERENCE

- T POSITION 1
- U POSITION 2
- V POSITION 3
- W POSITION 1, AND SECOND TO LAST POSITION
- Y POSITION 1, AND THIRD TO LAST POSITION
- Z POSITION 2, AND THIRD TO LAST POSITION

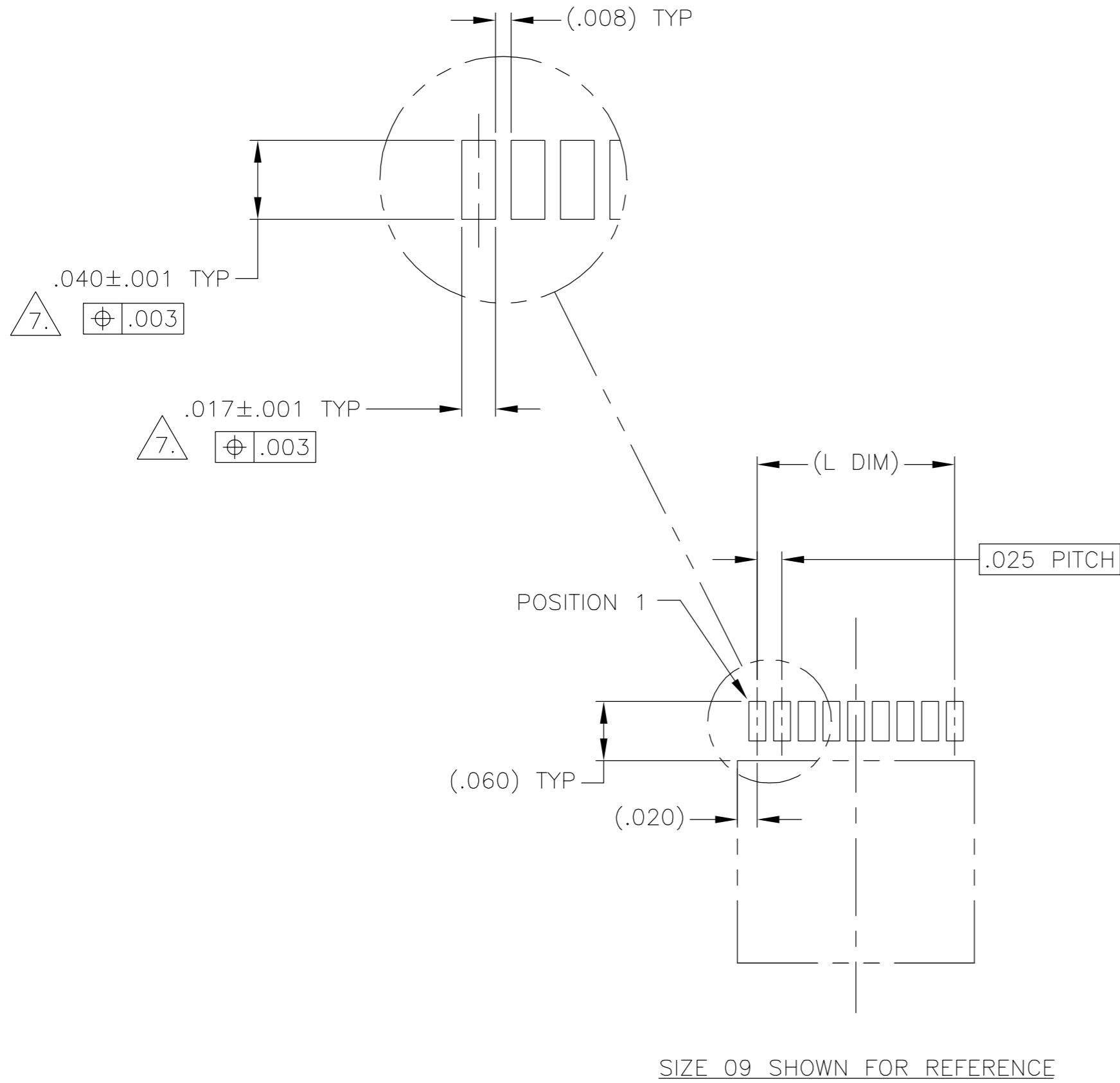
- 1. INSULATOR MATERIAL: LCP (LIQUID CRYSTAL POLYMER) PER ASTM D5138
- 2. OPTIONAL POLARIZATION GUIDE POST SHOWN FOR REFERENCE ONLY. IF GUIDE POST(S) ARE REQUIRED, THE LOCATION MUST BE SPECIFIED IN THE NANONICS PART NUMBER. GUIDE POST MATERIAL IS 303 STAINLESS STEEL, PASSIVATED PER SAE-AMS-QQ-P-35.
- 3. SMT LEADS ARE BeCu, TIN/LEAD PLATED 60/40 COMPOSITION PER SAE-AMS-P-81728
- 4. TERMINATION CODE: B2
- 5. WHEN ORDERING THESE SIZES, FIRST CONSULT TYCO ELECTRONICS/NANONICS FOR ADDITIONAL INFORMATION.
- 6. THIS DRAWING PREVIOUSLY IDENTIFIED AS NANONICS N10138/030

2. POLARIZING GUIDE POST "PGP" POSITIONS, SEE DETAIL A

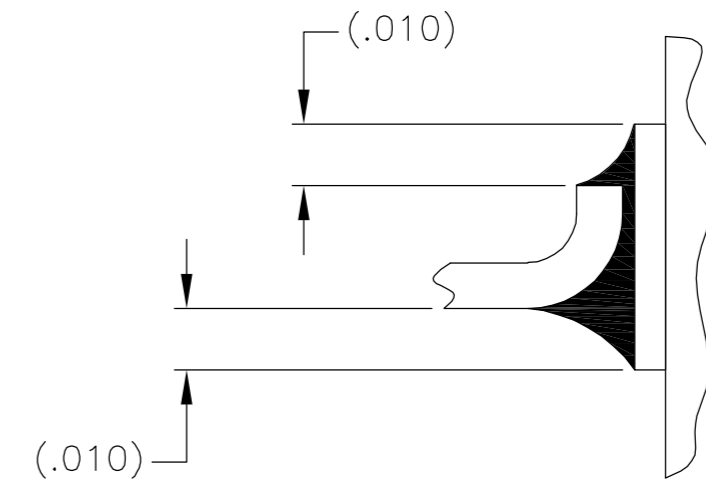
THIS DRAWING IS A CONTROLLED DOCUMENT.		DWN D. RYAN 16 APR 92	Tyco Electronics Corporation Harrisburg, PA 17105	
DIMENSIONS: INCHES		CHK E. BURGER 16 FEB 93		
TOLERANCES UNLESS OTHERWISE SPECIFIED:		APVD M. STORRY 25 APR 01	NAME PLUG ASSEMBLY, UNSHROUDED STRIP, HORIZONTAL SMT, PLASTIC	
0 PLC ± - 1 PLC ± - 2 PLC ± .010 3 PLC ± .005 4 PLC ± - ± 1		PRODUCT SPEC -	SIZE A2	
MATERIAL SEE NOTES		FINISH SEE NOTES	CAGE CODE 00779	DRAWING NO C=1589451
		WEIGHT -	RESTRICTED TO -	
		CUSTOMER DRAWING	SCALE 8:1	SHEET 1 OF 2
			REV R	

THIS DRAWING IS UNPUBLISHED. RELEASED FOR PUBLICATION  
 © COPYRIGHT BY TYCO ELECTRONICS CORPORATION. ALL RIGHTS RESERVED.

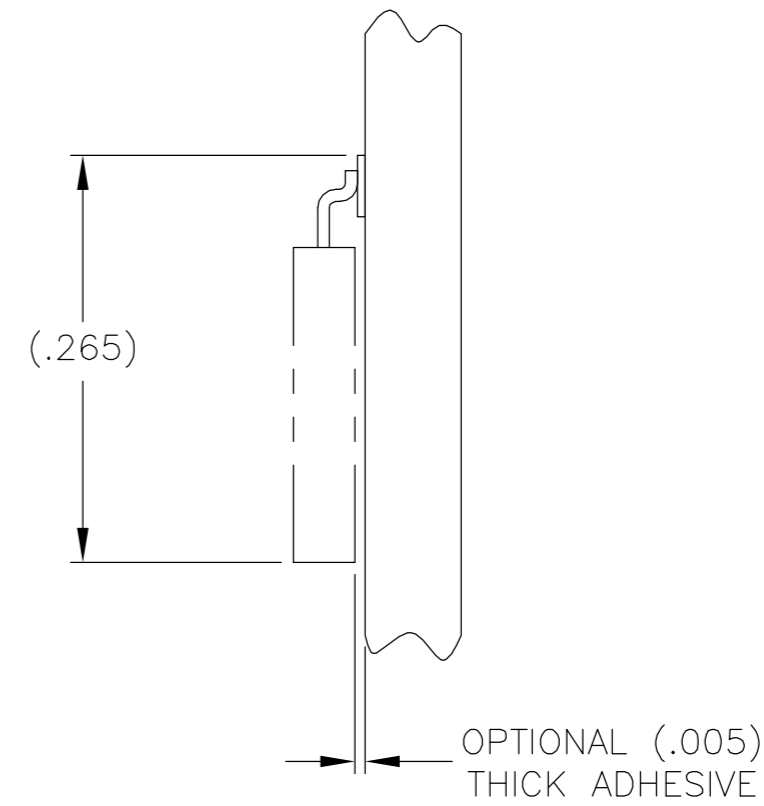
LOC		DIST		REVISIONS			
P	LTR	DESCRIPTION		DATE	DWN	APVD	
DF	DO	R		UPDATE PER 0H2Y-0008-04	9 JAN 04	CAS	MKS



TYPICAL PCB LAYOUT



TYPICAL FOOT PLACEMENT ON SOLDER PAD



OPTIONAL (.005) THICK ADHESIVE

7. POSITIONAL TOLERANCES FOR BASIC DIMENSIONED FEATURES ARE RELATIVE TO FIDUCIALS OR SOME SIMILAR DATUM REFERENCE DEFINED BY THE PCB DESIGNER.

THIS DRAWING IS A CONTROLLED DOCUMENT.		DWN	-	<b>tyco</b> Tyco Electronics Corporation	
DIMENSIONS: INCHES		CHK	-	Harrisburg, PA 17105	
TOLERANCES UNLESS OTHERWISE SPECIFIED:		APVD	-	NAME	
0 PLC ± -		PRODUCT SPEC	-	PLUG ASSEMBLY, UNSHROUDED STRIP, HORIZONTAL SMT, PLASTIC	
1 PLC ± -		APPLICATION SPEC	-	SIZE	A2
2 PLC ± -		WEIGHT	-	CAGE CODE	00779
3 PLC ± -		CUSTOMER DRAWING	-	DRAWING NO	C=1589451
4 PLC ± -		SCALE	8:1	SHEET	2 OF 2
ANGLES ± -		RESTRICTED TO	-	REV	R
FINISH -					