



Chipsmall Limited consists of a professional team with an average of over 10 year of expertise in the distribution of electronic components. Based in Hongkong, we have already established firm and mutual-benefit business relationships with customers from,Europe,America and south Asia,supplying obsolete and hard-to-find components to meet their specific needs.

With the principle of "Quality Parts,Customers Priority,Honest Operation,and Considerate Service",our business mainly focus on the distribution of electronic components. Line cards we deal with include Microchip,ALPS,ROHM,Xilinx,Pulse,ON,Everlight and Freescale. Main products comprise IC,Modules,Potentiometer,IC Socket,Relay,Connector.Our parts cover such applications as commercial,industrial, and automotives areas.

We are looking forward to setting up business relationship with you and hope to provide you with the best service and solution. Let us make a better world for our industry!



Contact us

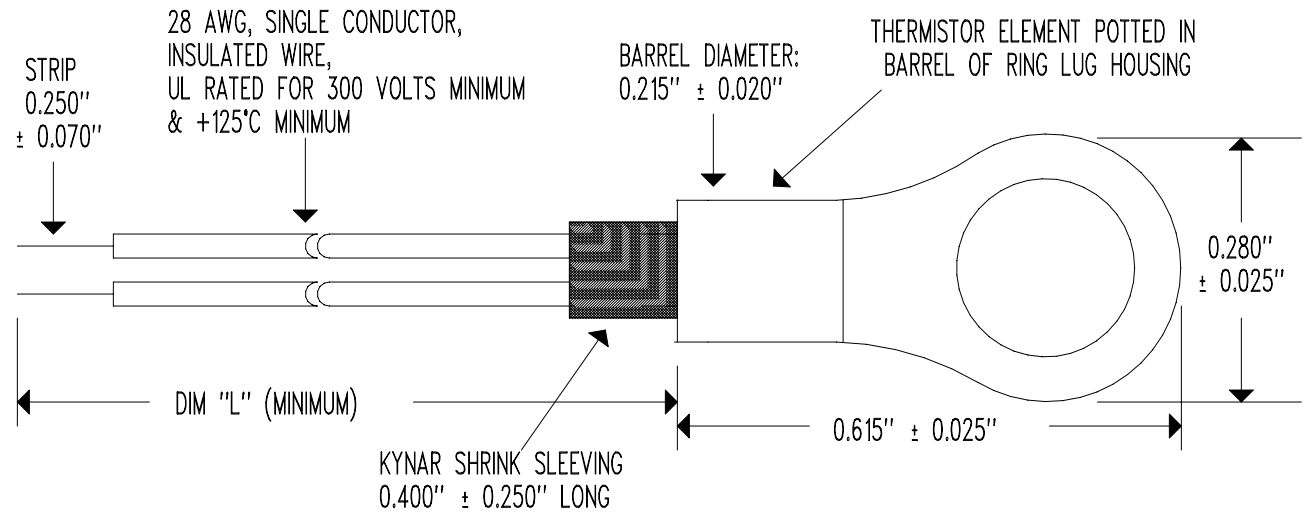
Tel: +86-755-8981 8866 Fax: +86-755-8427 6832

Email & Skype: info@chipsmall.com Web: www.chipsmall.com

Address: A1208, Overseas Decoration Building, #122 Zhenhua RD., Futian, Shenzhen, China



U.S. SENSOR P/N	R @ +25°C (Ω)	R TOLERANCE @ +25°C (%)
USUR1000-102G-xx	1,000	± 2
USUR1000-102H-xx	1,000	± 3
USUR1000-102J-xx	1,000	± 5
USUR1000-102K-xx	1,000	± 10
USUR1000-222G-xx	2,252	± 2
USUR1000-222H-xx	2,252	± 3
USUR1000-222J-xx	2,252	± 5
USUR1000-222K-xx	2,252	± 10
USUR1000-302G-xx	3,000	± 2
USUR1000-302H-xx	3,000	± 3
USUR1000-302J-xx	3,000	± 5
USUR1000-302K-xx	3,000	± 10
USUR1000-502G-xx	5,000	± 2
USUR1000-502H-xx	5,000	± 3
USUR1000-502J-xx	5,000	± 5
USUR1000-502K-xx	5,000	± 10
USUR1000-103G-xx	10,000	± 2
USUR1000-103H-xx	10,000	± 3
USUR1000-103J-xx	10,000	± 5
USUR1000-103K-xx	10,000	± 10
USUR1000-203G-xx	20,000	± 2
USUR1000-203H-xx	20,000	± 3
USUR1000-203J-xx	20,000	± 5
USUR1000-203K-xx	20,000	± 10
USUR1000-303G-xx	30,000	± 2
USUR1000-303H-xx	30,000	± 3
USUR1000-303J-xx	30,000	± 5
USUR1000-303K-xx	30,000	± 10
USUR1000-503G-xx	50,000	± 2
USUR1000-503H-xx	50,000	± 3
USUR1000-503J-xx	50,000	± 5
USUR1000-503K-xx	50,000	± 10
USUR1000-104G-xx	100,000	± 2
USUR1000-104H-xx	100,000	± 3
USUR1000-104J-xx	100,000	± 5
USUR1000-104K-xx	100,000	± 10



RESISTANCE @ +25°C = SEE CHART
 RESISTANCE TOLERANCE @ +25°C = SEE CHART
 RESISTANCE/TEMPERATURE CURVE = "J"
 TEMPERATURE RATING = -40 TO +125°C
 MAXIMUM POWER RATING = 20 mW
 RING TONGUE MOUNTING-HOLE DIAMETER = 0.145" NOMINAL
 RING TONGUE MOUNTING-HOLE STUD-SIZE = #6
 SEE MANUFACTURING SPECIFICATION (LAYER 1)

UL FILE NUMBER E232830 (UL CATEGORY XGPU2)

DIM "L" IS THE MINIMUM LEAD WIRE LENGTH, AND IS SPECIFIED BY THE LAST TWO DIGITS OF THE PART NUMBER (USUR1000-xxxx-xx).

e.g. USUR1000-102G-03 WOULD HAVE A MINIMUM LEAD WIRE LENGTH OF 3".

REV	REVISION RECORD	DATE	APP
"D"	WIRE WAS 3"±0.75",+ DIM "L" DESIGNATION	08/30/06	DD
"C"	LEAD WIRE WAS KYNAR INSULATED	04/28/03	DD
"B"	WAS TEFLON INSULATED WIRE (CLERICAL ERROR)	03/10/03	DD
--	ISO RELEASE	03/10/03	DD
"A"	MINIMUM TEMPERATURE RATING WAS -55°C	09/30/02	DD

SCALE NONE	U.S. SENSOR CORP. © COPYRIGHT 714-639-1000 www.ussensor.com
DRAWN BY DAN DANKERT	
DATE 08/12/02	THERMISTOR PROBE
REV. "D"	
LAYER 0 OF 2	P/N USUR1000-xxxx-xx