



Chipsmall Limited consists of a professional team with an average of over 10 year of expertise in the distribution of electronic components. Based in Hongkong, we have already established firm and mutual-benefit business relationships with customers from,Europe,America and south Asia,supplying obsolete and hard-to-find components to meet their specific needs.

With the principle of "Quality Parts,Customers Priority,Honest Operation,and Considerate Service",our business mainly focus on the distribution of electronic components. Line cards we deal with include Microchip,ALPS,ROHM,Xilinx,Pulse,ON,Everlight and Freescale. Main products comprise IC,Modules,Potentiometer,IC Socket,Relay,Connector.Our parts cover such applications as commercial,industrial, and automotives areas.

We are looking forward to setting up business relationship with you and hope to provide you with the best service and solution. Let us make a better world for our industry!



## Contact us

Tel: +86-755-8981 8866 Fax: +86-755-8427 6832

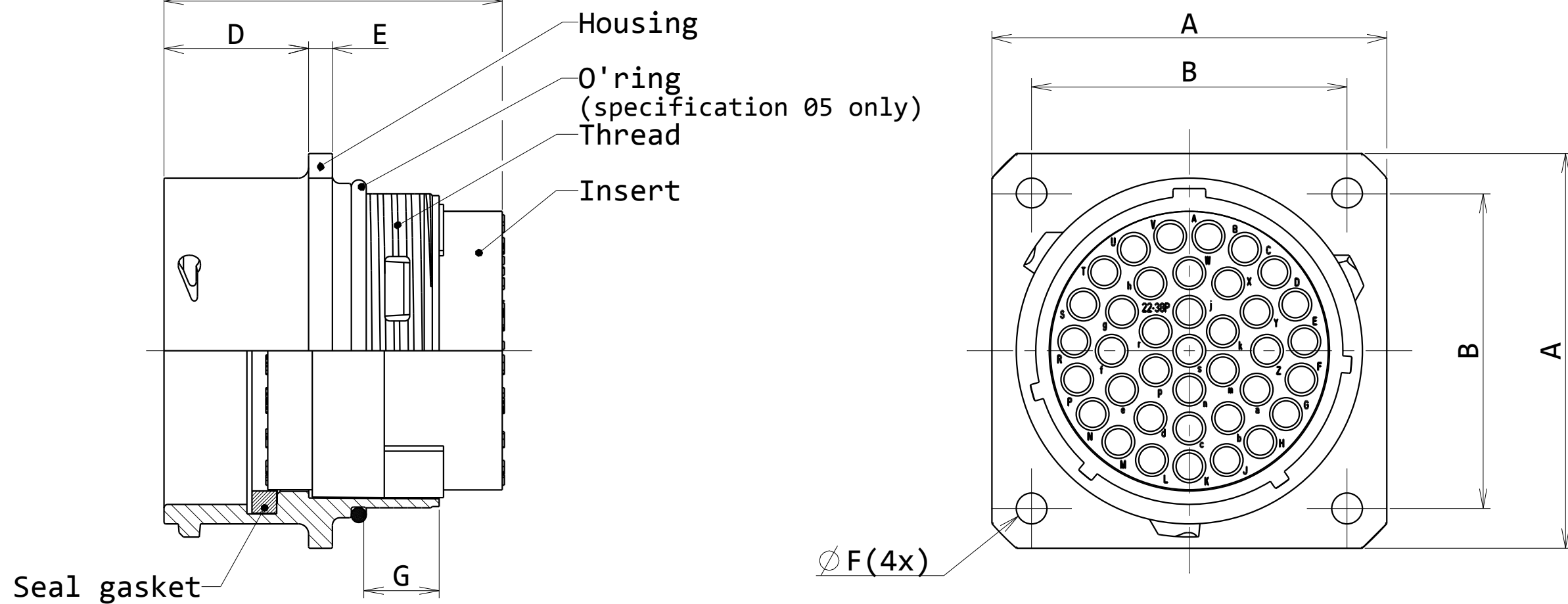
Email & Skype: info@chipsmall.com Web: www.chipsmall.com

Address: A1208, Overseas Decoration Building, #122 Zhenhua RD., Futian, Shenzhen, China





A.8; Validé



**MATERIAL :**

Housing : Zinc alloy nickel plated  
 Insert : PA 66 UL94 V0  
 Mating gasket : sealing IP67:Nitril  
 sealing IP68:Silicone  
 O'ring : nitril

**PERFORMANCE CHARACTERISTICS :**

Operating temperature : -40°C up to 105°C  
 Insulation resistance : 5000 MΩmin  
 Withstanding voltage: 2000Vrms  
 (1500 Vrms for 102w2 and 103w3 layouts)  
 Corrosion salt spray : 96 hours  
 Durability : 500 matings and unmatings  
 Sealing IP67 / IP68 3 bar/30min as per IEC60529  
 Sealing IP69K as per DIN40050  
 ROHS compliant

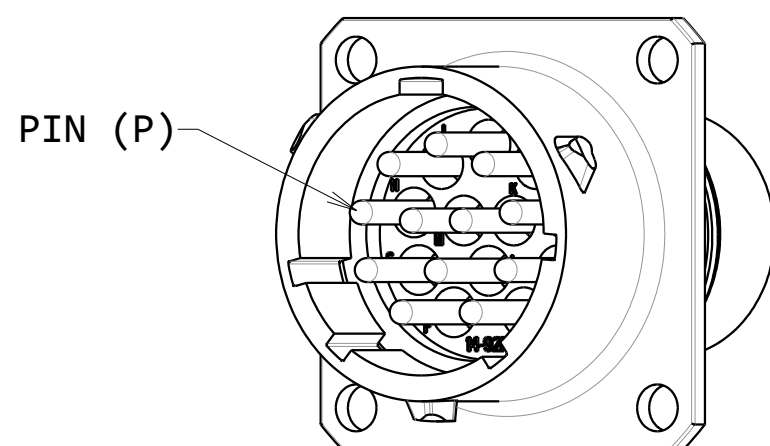
**NOTES :**

- 1- Contact identification and orientation of connector, refer to:  
 UT0-CONTACT-L-C01 (Male)  
 UT0-CONTACT-L-C02 (Female)
- 3- Contact to be ordered separately refer to : UT0 catalog
- 4- Dimension  $\phi P$  for front panel mounting (see to panel cut out)
- 5- Dimension  $\phi R$  for rear panel mounting (see to panel cut out)
- 6- To achieved Sealing condition : Add UTFD-- Sealing Gasket
- 7- Insert arrangement refer to : UT0-DHP-001-C01 (Male)  
 UT0-DHP-002-C01 (Female)
- 8- This drawing covers p/n termination : -H / -H6 / -H05 / -H605
- 9- Packaging: connector is individually packed in a plastic bag

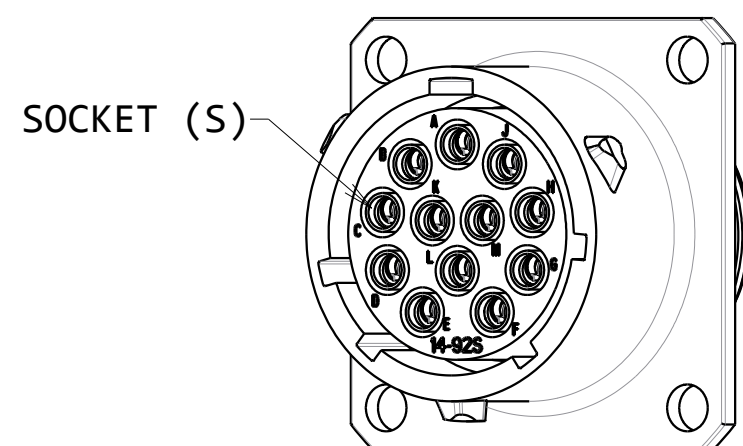
Part Number (Note 8)	Thread (for information)	A ±0.3	B ±0.2	C Max		D ±0.2	E ±0.35	F ±0.15	G ±0.2
				Male	Female				
UT00102W2--H-	9/16-24 UNEF Class 2A	23.85	18.26	33.20	31.50	11.35	1.60	3.10	7.50
UT00103W3--H-					25.50				
UT00103--H-									
UT00104--H-									
UT001044--H-									
UT00124--H-	11/16-24 UNEF Class 2A	26.20	20.62	36.00	32.50	11.35	1.60	3.10	7.50
UT00128--H-					25.50				
UT00142G1--H-					31.50				
UT00147--H-					31.50				
UT00148--H-	13/16-20 UNEF Class 2A	28.60	23.01	33.20	25.50	11.35	1.60	3.10	7.50
UT00148--H-					31.50				
UT001412--H-					25.50				
UT001492--H-					25.50				
UT001619--H-	15/16-20 UNEF Class 2A	31.05	24.61	33.20	25.50	11.35	1.60	3.10	7.50
UT001823--H-	1" 1/16-18 UNEF Class 2A	33.35	26.97	34.70	29.30	14.55	2.40	3.80	
UT002028--H-	1" 3/16-18 UNEF Class 2A	36.55	29.36	34.70	29.30	14.55	2.40	3.80	
UT002030--H-									
UT002235--H-									
UT002238--H-	1" 5/16-18 UNEF Class 2A	39.80	31.75	34.70	29.30	14.55	2.40	3.80	
UT002448--H-	1" 7/16-18 UNEF Class 2A	42.90	34.92	34.70	29.30	15.35	2.40	3.80	

<b>UT00 14 2G1 P W H6 05</b>
Receptacle UT0 : <i>Type 0</i>
Shell size :
Insert arrangement : <i>See Note 7</i>
Contact : P : Male S : Female
Insert polarisation : <i>No letter : Standard version</i> W, X, Y, Z : <i>Differents orientation</i>
Sealing version : H : IP67 version H6 : IP68 version
Specification : <i>No letter : Standard version</i> 05 : <i>O'ring rear on the receptacle</i>

**MALE CONNECTOR**

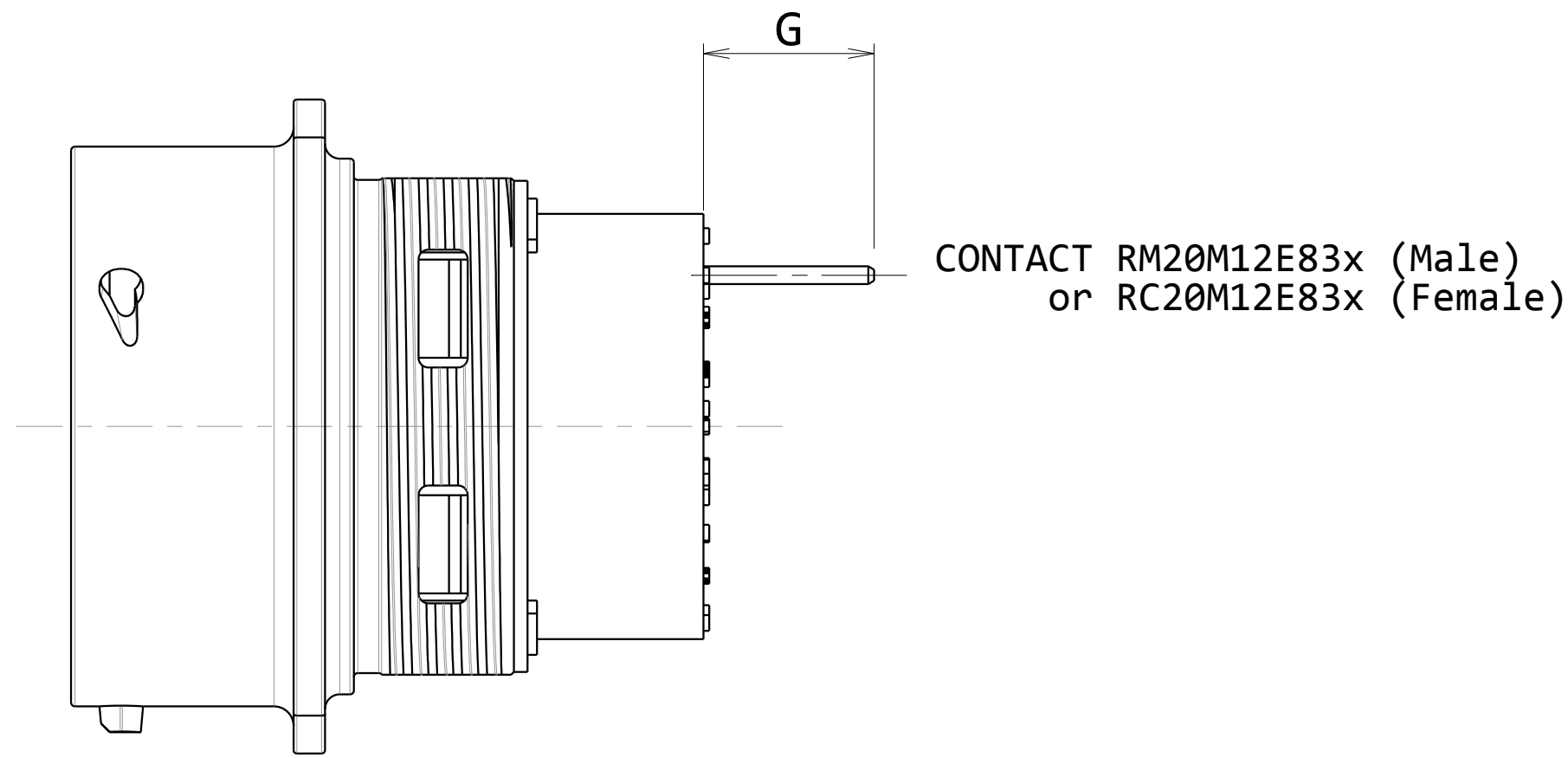


**FEMALE CONNECTOR**



A	20/04/2015	_CREATION OF THE DRAWING	24021
ISS	DATE	_Cancel & replace UT00-C01	MOD N°
Designed by: COUTY L.		Latest modification - by: COUTY L.	Date : 20/04/2015
TITLE		CUSTOMER DRAWING	
RECEPTACLE		UT0 CONNECTOR	
Scale	2/1	General linear Tolerances: ± 0.1	NPRDS / PROJECT UT0
SOURIAU		WWW.SOURIAU.COM	
FORMAT		SOURIAU DRG N° C001-UT00-A	
A2		SHEET 1 / 2	

In case the connectors are equipped with dipsolder contacts



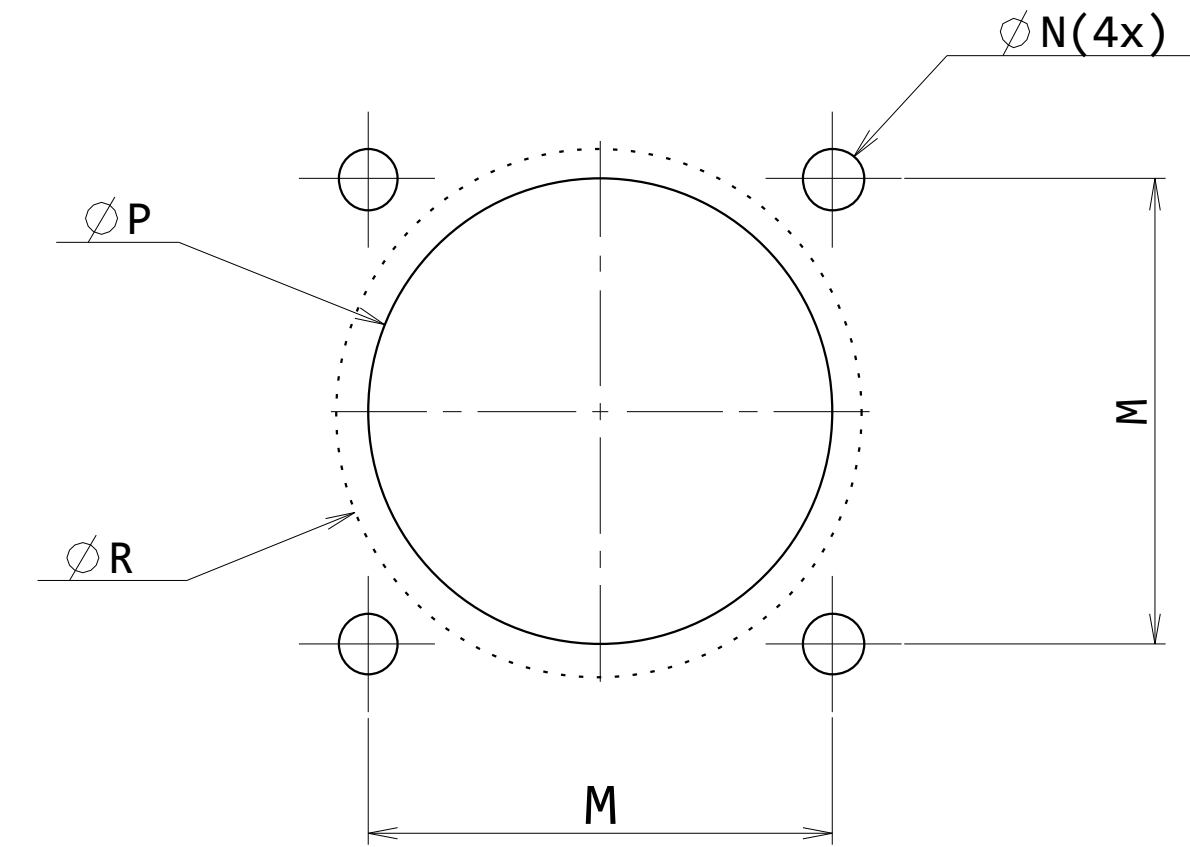
CONTACT RM20M12E83x (Male)  
or RC20M12E83x (Female)

Contacts to be ordered separately

MALE CONTACTS		
Part Number	G	
	min	max
UT00104P-H-	8.1	10.3
UT001044P-H-		
UT00124P-H-		
UT00128P-H-		
UT001412P-H-		
UT001492P-H-		
UT001619P-H-		
UT001823P-H-		
UT002028P-H-		
UT002030P-H-		
UT002235P-H-		
UT002238P-H-		
UT002448P-H-		

FEMALE CONTACTS		
Part Number	G	
	min	max
UT00104S-H-	7.5	9.2
UT001044S-H-		
UT00128S-H-		
UT001412S-H-		
UT001492S-H-		
UT001619S-H-		
UT001823S-H-		
UT002028S-H-	5.3	7.1
UT002030S-H-		
UT002235S-H-		
UT002238S-H-		
UT002448S-H-		

Panel Cut Out



Part Number	M ±0.2	∅N ±0.1	∅P ±0.1	∅R ±0.1
UT00102W2--H-	18.26	3.20	14.20	17.30
UT00103W3--H-				
UT00103--H-				
UT00104--H-				
UT001044--H-				
UT00124--H-	20.62	3.20	18.40	21.85
UT00128--H-				
UT00142G1--H-	23.01	3.20	21.50	25.00
UT00147--H-				
UT00148--H-				
UT001412--H-				
UT001492--H-	24.61	3.20	24.60	28.10
UT001619--H-				
UT001823--H-				
UT002028--H-				
UT002030--H-	29.36	3.20	30.95	34.50
UT002235--H-				
UT002238--H-				
UT002448--H-	31.75	3.20	34.10	37.70
	34.92	3.90	37.30	40.90

-Dimension ∅P for front panel mounting (see to panel cut out)  
-Dimension ∅R for rear panel mounting (see to panel cut out)

A	04/11/2014	_CREATION OF THE DRAWING		24021
ISS	DATE	_Cancel & replace UT00-C01		MOD N°
Designed by:		COUTY L.	Date : 04/11/2014	CUSTOMER DRAWING
TITLE		RECEPTACLE UT0 CONNECTOR		
Scale	3/1	General linear Tolerances: ± 0.1	NPRDS / PROJECT UT0	
SOURIAU		WWW.SOURIAU.COM		This document is the property of SOURIAU. It must not be reproduced or communicated without permission.
FORMAT	A2	SOURIAU DRG N° C001-UT00-A		SHEET 2 / 2