



Chipsmall Limited consists of a professional team with an average of over 10 year of expertise in the distribution of electronic components. Based in Hongkong, we have already established firm and mutual-benefit business relationships with customers from,Europe,America and south Asia,supplying obsolete and hard-to-find components to meet their specific needs.

With the principle of “Quality Parts,Customers Priority,Honest Operation,and Considerate Service”,our business mainly focus on the distribution of electronic components. Line cards we deal with include Microchip,ALPS,ROHM,Xilinx,Pulse,ON,Everlight and Freescale. Main products comprise IC,Modules,Potentiometer,IC Socket,Relay,Connector.Our parts cover such applications as commercial,industrial, and automotives areas.

We are looking forward to setting up business relationship with you and hope to provide you with the best service and solution. Let us make a better world for our industry!



Contact us

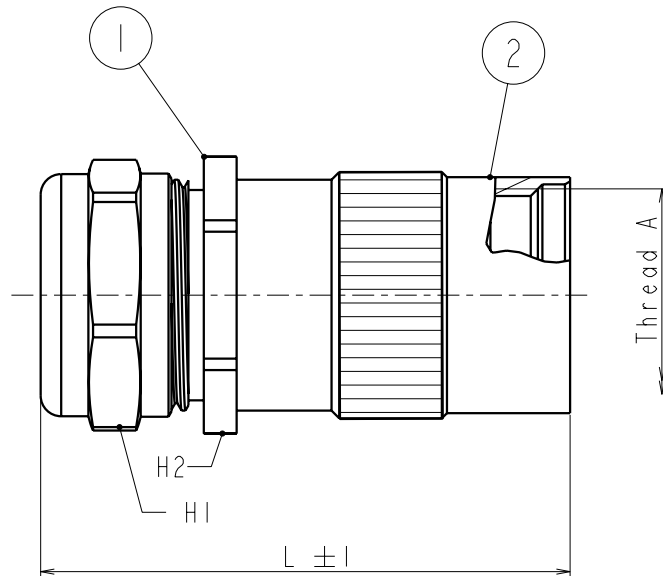
Tel: +86-755-8981 8866 Fax: +86-755-8427 6832

Email & Skype: info@chipsmall.com Web: www.chipsmall.com

Address: A1208, Overseas Decoration Building, #122 Zhenhua RD., Futian, Shenzhen, China



Reference	∅ ISO	L (mm)	H1 (mm)	H2 (mm)	Clamping range min/max	Torque (Nm) on the hood	Torque (Nm) on the body	Thread A
UTO10JCS	M16	48.5	14	17	03/06	5	6	9/16-24 UNEF Class 2A
UTO10JCSL	M16	48.5	17	17	05/08	5	6	9/16-24 UNEF Class 2A
UTO12JCS	M20	48.5	20	22	06/10	8	10	11/16-24 UNEF Class 2A
UTO12JCSL	M20	49.5	22	22	08/12	8	10	11/16-24 UNEF Class 2A
UTO14JCS	M20	53.5	20	22	06/10	8	10	13/16-20 UNEF Class 2A
UTO14JCSL	M20	54.5	22	22	08/12	8	10	13/16-20 UNEF Class 2A
UTO16JCS	M25	62.5	24	26	9.5/14	12	14	15/16-20 UNEF Class 2A
UTO16JCSL	M25	68.5	30	30	11.5/18	12	14	15/16-20 UNEF Class 2A
UTO18JCS	M25	65.5	24	26	9.5/14	12	14	1" 1/16-18 UNEF Class 2A
UTO18JCSL	M25	71.5	30	30	11.5/18	12	14	1" 1/16-18 UNEF Class 2A
UTO20JCS	M32	70.5	30	33	11.5/18	20	24	1" 3/16-18 UNEF Class 2A
UTO20JCSL	M32	77.5	40	40	15/24	20	24	1" 3/16-18 UNEF Class 2A
UTO22JCS	M32	76.5	30	33	11.5/18	20	24	1" 5/16-18 UNEF Class 2A
UTO22JCSL	M32	83.5	40	40	15/24	20	24	1" 5/16-18 UNEF Class 2A
UTO24JCS	M32	82.0	30	33	11.5/18	20	24	1" 7/16-18 UNEF Class 2A
UTO24JCSL	M32	89.0	40	40	15/24	20	24	1" 7/16-18 UNEF Class 2A



MATERIAL :

Cable clamp: Brass nickel plated
 Tube: Brass nickel plated

PERFORMANCE CHARACTERISTICS :

Operating temperature: -40°C up to 105°C
 Corrosion salt spray: 96 hours

A	07/06/04	--	Creation of the drawing	--
ISS	DATE	Latest modification - by:	--	MOD N°
Designed by: C. PROVOST		Date: 07/06/04	Type of drawing: ASSEMBLAGE	
Checked by: SEE DISTRIBUTION LIST		Date: SEE DISTRIBUTION LIST		
TITLE		Connector UTO et UTOW Kit cable clamp with tube		
Scale	General angular	MATERIAL : --		
3/1	Tolerances: ± --			
General linear	General machining	Geometrical Tolerances	PROJECT	MSK1
	Tolerances: ± --			
		SOURIAU Route Nationale 23 72470 CHAMPAGNE Tel. (33)02.43.54.35.00		This document is the property of SOURIAU It must not be reproduced or communicated without permission
FORMAT	SOURIAU DRG N°			SHEET
A2	UTOXXJCS-C02			1 / 1