



Chipsmall Limited consists of a professional team with an average of over 10 year of expertise in the distribution of electronic components. Based in Hongkong, we have already established firm and mutual-benefit business relationships with customers from,Europe,America and south Asia,supplying obsolete and hard-to-find components to meet their specific needs.

With the principle of “Quality Parts,Customers Priority,Honest Operation,and Considerate Service”,our business mainly focus on the distribution of electronic components. Line cards we deal with include Microchip,ALPS,ROHM,Xilinx,Pulse,ON,Everlight and Freescale. Main products comprise IC,Modules,Potentiometer,IC Socket,Relay,Connector.Our parts cover such applications as commercial,industrial, and automotives areas.

We are looking forward to setting up business relationship with you and hope to provide you with the best service and solution. Let us make a better world for our industry!



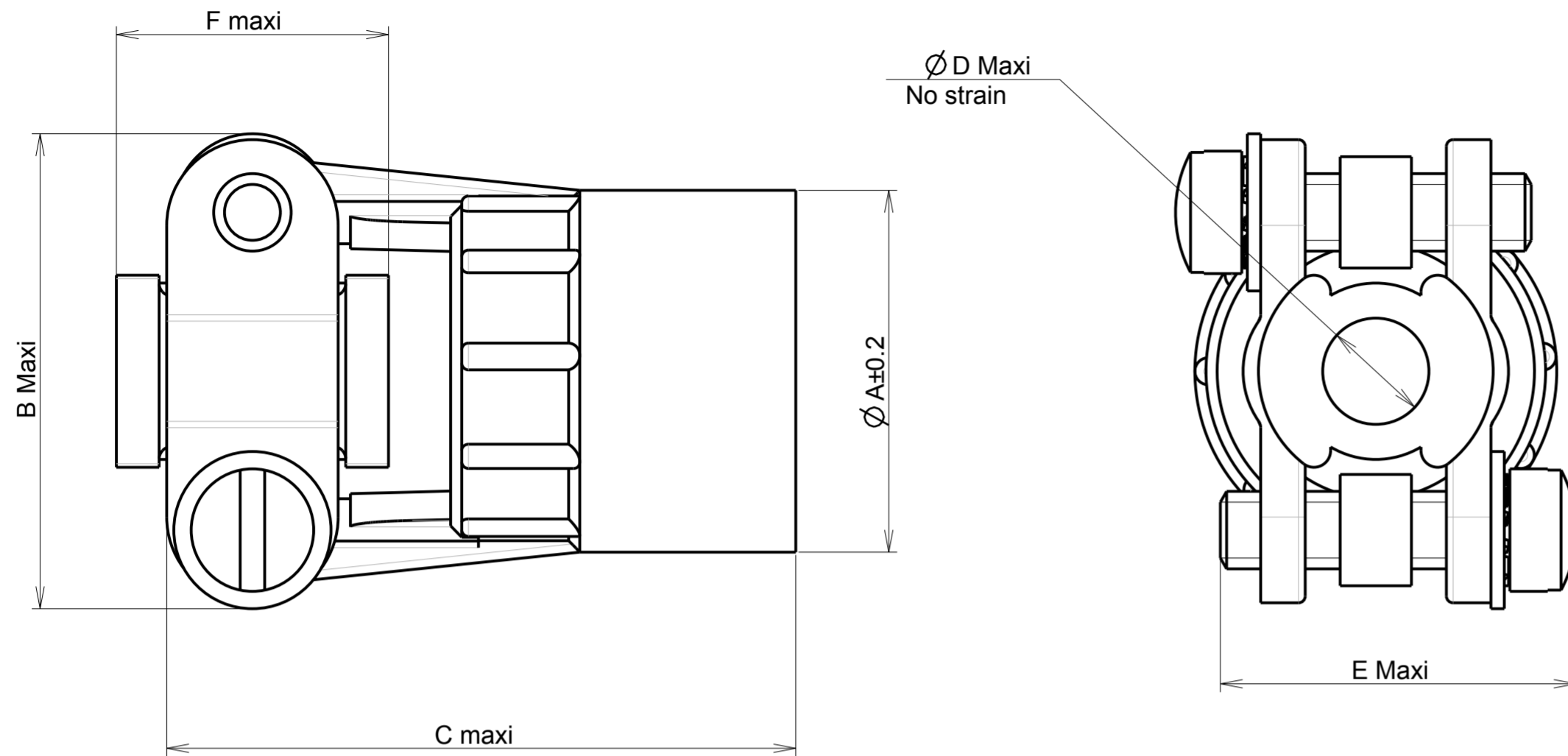
Contact us

Tel: +86-755-8981 8866 Fax: +86-755-8427 6832

Email & Skype: info@chipsmall.com Web: www.chipsmall.com

Address: A1208, Overseas Decoration Building, #122 Zhenhua RD., Futian, Shenzhen, China



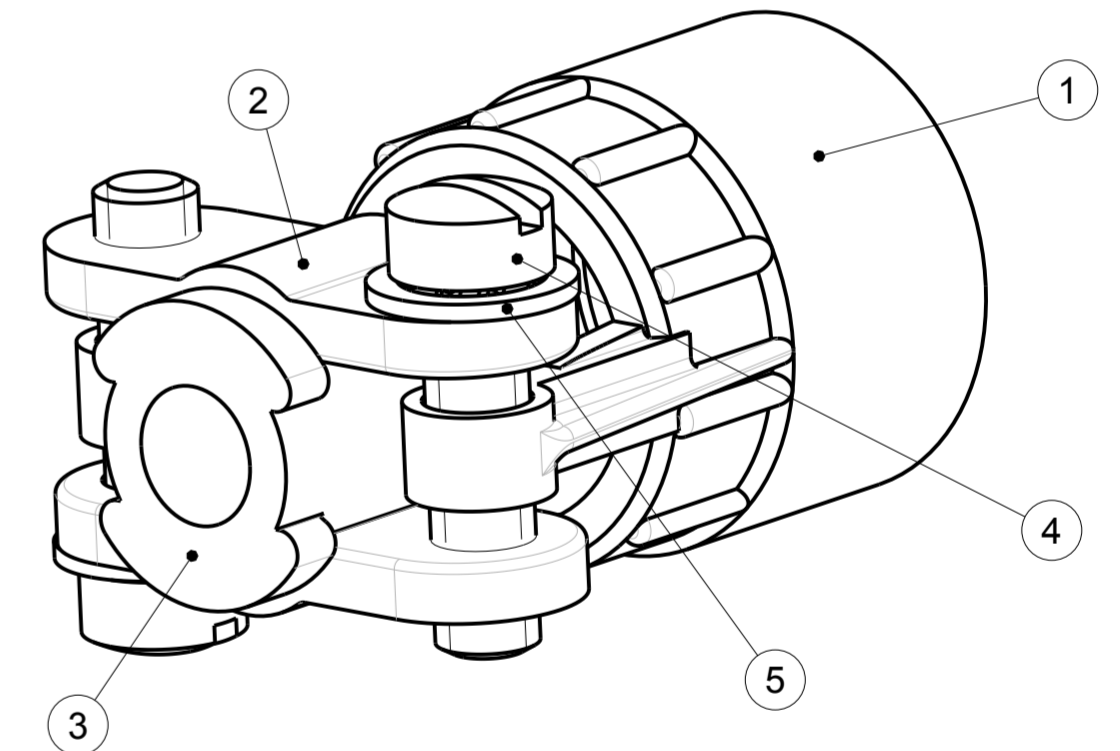


Item	Qty	Designation	Material
1	1	Backshell body	Al Alloy, Ni plated
2	2	Clamping plate	Al Alloy, Ni plated
3	1	Boot	Elastomer
4	2	Screw	Brass, Ni plated
5	2	Washer	Brass, Ni plated

Performance Characteristics :

Operating temperature : -40°C up to 105°C
Corrosion salt spray : 48 hours

Size	Part Number	Ø A	B maxi	C maxi	WEIGHT(g) (For information)	Capacity Ø D Maxi	E maxi	F maxi
10	UTO10AC	16.30	21.60	28.90	8.25	5.00	16.70	12.30
12	UTO12AC	19.50	25.00	28.90	9	8.20	16.70	12.30
14	UTO14AC	22.70	27.40	28.90	12.5	10.00	20.80	12.30
16	UTO16AC	25.90	29.40	32.00	12	13.00	20.80	12.30
18	UTO18AC	29.30	35.20	31.50	16.5	16.10	24.20	13.60
20	UTO20AC	32.60	35.20	28.50	16	16.10	24.20	13.60
22	UTO22AC	35.80	41.10	28.50	20	19.30	29.20	13.60
24	UTO24AC	38.90	42.40	28.50	21	20.60	29.20	13.60



P/N : See table

d	05/11/13	remove drawing, add column "E maxi", "F maxi" and material definition		
ISS	DATE	Latest modification - by:	LANDAIS.P	MOD N°
Designed by:		C. PROVOST	Date: 01/09/03	CUSTOMER DRAWING
TITLE		STRAIGHT CABLE CLAMP UTO CONNECTOR		
Scale	~127/30	General linear Tolerances: ± --	NPRDS / PROJECT UTO	
SOURIAU		WWW.SOURIAU.COM		This document is the property of SOURIAU. It must not be reproduced or communicated without permission.
FORMAT	A2	SOURIAU DRG N° UTOXXAC-C01		SHEET 1 / 1