



Chipsmall Limited consists of a professional team with an average of over 10 year of expertise in the distribution of electronic components. Based in Hongkong, we have already established firm and mutual-benefit business relationships with customers from,Europe,America and south Asia,supplying obsolete and hard-to-find components to meet their specific needs.

With the principle of “Quality Parts,Customers Priority,Honest Operation,and Considerate Service”,our business mainly focus on the distribution of electronic components. Line cards we deal with include Microchip,ALPS,ROHM,Xilinx,Pulse,ON,Everlight and Freescale. Main products comprise IC,Modules,Potentiometer,IC Socket,Relay,Connector.Our parts cover such applications as commercial,industrial, and automotives areas.

We are looking forward to setting up business relationship with you and hope to provide you with the best service and solution. Let us make a better world for our industry!



Contact us

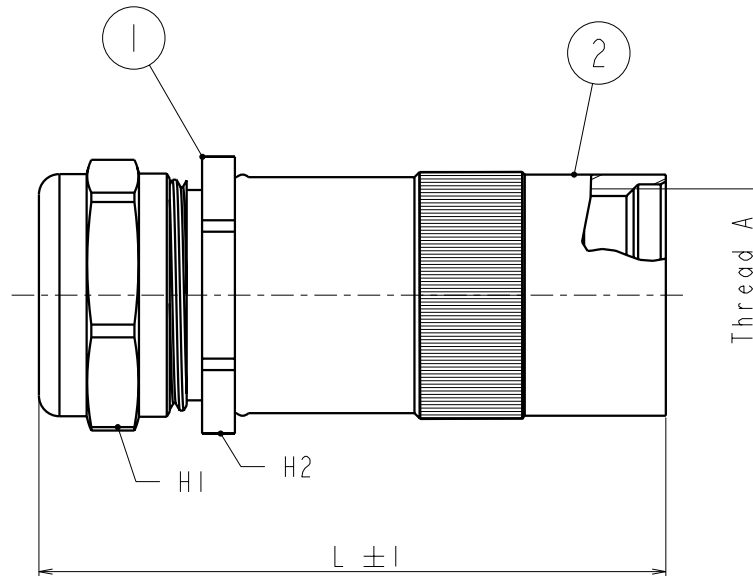
Tel: +86-755-8981 8866 Fax: +86-755-8427 6832

Email & Skype: info@chipsmall.com Web: www.chipsmall.com

Address: A1208, Overseas Decoration Building, #122 Zhenhua RD., Futian, Shenzhen, China



Reference	∅ ISO	L (mm)	H1 (mm)	H2 (mm)	Clamping range min/max	Torque (Nm) on the hood	Torque (Nm) on the body	Thread A
UTO10JC	M16	60.5	14	17	03/06	5	6	9/16-24 UNEF Class 2A
UTO10JCL	M16	60.5	17	17	05/08	5	6	9/16-24 UNEF Class 2A
UTO12JC	M20	61.5	20	22	06/10	8	10	11/16-24 UNEF Class 2A
UTO12JCL	M20	62.5	22	22	08/12	8	10	11/16-24 UNEF Class 2A
UTO14JC	M20	67.5	20	22	06/10	8	10	13/16-20 UNEF Class 2A
UTO14JCL	M20	68.5	22	22	08/12	8	10	13/16-20 UNEF Class 2A
UTO16JC	M25	73.5	24	26	9.5/14	12	14	15/16-20 UNEF Class 2A
UTO16JCL	M25	79.5	30	30	11.5/18	12	14	15/16-20 UNEF Class 2A
UTO18JC	M25	76.0	24	26	9.5/14	12	14	1" 1/16-18 UNEF Class 2A
UTO18JCL	M25	82.0	30	30	11.5/18	12	14	1" 1/16-18 UNEF Class 2A
UTO20JC	M32	84.0	30	33	11.5/18	20	24	1" 3/16-18 UNEF Class 2A
UTO20JCL	M32	91.0	40	40	15/24	20	24	1" 3/16-18 UNEF Class 2A
UTO22JC	M32	88.0	30	33	11.5/18	20	24	1" 5/16-18 UNEF Class 2A
UTO22JCL	M32	95.0	40	40	15/24	20	24	1" 5/16-18 UNEF Class 2A
UTO24JC	M32	92.0	30	33	11.5/18	20	24	1" 7/16-18 UNEF Class 2A
UTO24JCL	M32	99.0	40	40	15/24	20	24	1" 7/16-18 UNEF Class 2A



MATERIAL :

Cable clamp: Brass nickel plated
 Tube: Brass nickel plated

PERFORMANCE CHARACTERISTICS :

Operating temperature: -40°C up to 105°C
 Corrosion salt spray: 96 hours

B	05/05/04	--	Add large backshell part number	--
ISS	DATE	Latest modification - by:	C. PROVOST	MOD N°
Designed by:		C. PROVOST	Date: 11/03/04	Type of drawing: ASSEMBLAGE
Checked by:		SEE DISTRIBUTION LIST	Date: SEE DISTRIBUTION LIST	
TITLE		Connector UTO et UTOW Kit cable clamp with tube		
Scale	General angular	MATERIAL : --		
3/1	Tolerances: ± --			
General linear	General machining	Geometrical Tolerances	PROJECT	
	Tolerances: ± --		surface texture	See NF E 04-552
		SOURIAU Route Nationale 23 72470 CHAMPAGNE Tel. (33)02.43.54.35.00		This document is the property of SOURIAU It must not be reproduced or communicated without permission
FORMAT	SOURIAU DRG N°			SHEET
A2	UTOXXJC-C02			1 / 1