



Chipsmall Limited consists of a professional team with an average of over 10 year of expertise in the distribution of electronic components. Based in Hongkong, we have already established firm and mutual-benefit business relationships with customers from,Europe,America and south Asia,supplying obsolete and hard-to-find components to meet their specific needs.

With the principle of “Quality Parts,Customers Priority,Honest Operation,and Considerate Service”,our business mainly focus on the distribution of electronic components. Line cards we deal with include Microchip,ALPS,ROHM,Xilinx,Pulse,ON,Everlight and Freescale. Main products comprise IC,Modules,Potentiometer,IC Socket,Relay,Connector.Our parts cover such applications as commercial,industrial, and automotives areas.

We are looking forward to setting up business relationship with you and hope to provide you with the best service and solution. Let us make a better world for our industry!



## Contact us

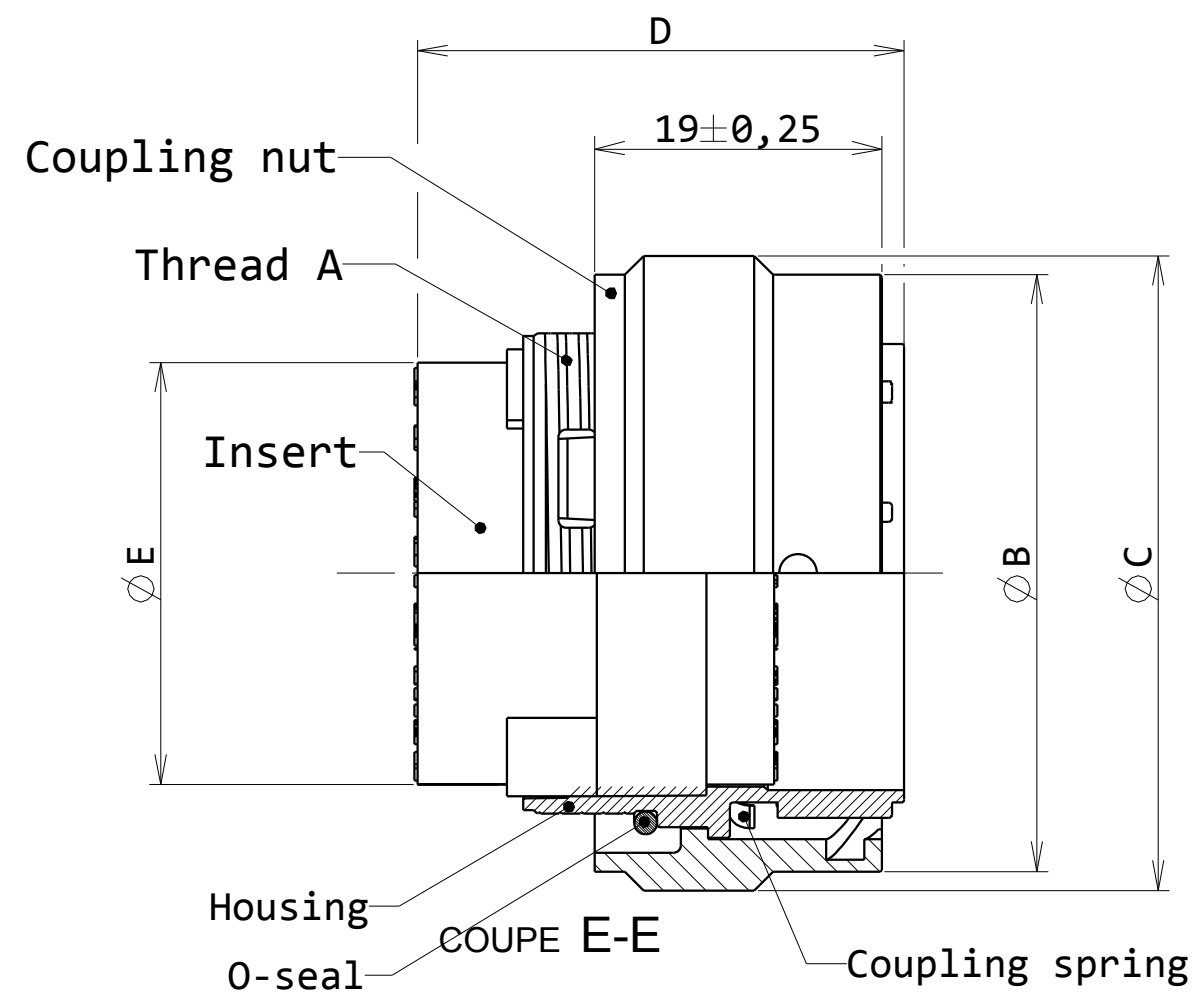
Tel: +86-755-8981 8866 Fax: +86-755-8427 6832

Email & Skype: info@chipsmall.com Web: www.chipsmall.com

Address: A1208, Overseas Decoration Building, #122 Zhenhua RD., Futian, Shenzhen, China







**MATERIAL :**

Housing : Zinc alloy nickel plated  
 Coupling Nut : Aluminium alloy, nickel plated  
 Insert : PA 66 UL94 V0  
 Coupling spring : Stainless steel  
 O'ring : Nitril

**PERFORMANCE CHARACTERISTICS :**

Operating temperature : -40°C up to 105°C  
 Insulation resistance : 5000 MΩ min  
 Withstanding voltage: 2000Vrms  
 (1500 Vrms for 102w2 and 103w3 layouts)  
 Corrosion salt spray : 48 hours or 96 hours ( spéc. 02 )  
 Durability : 500 matings and unmatings  
 Sealing in mated conditions : IP67 / IP68 3 bars/30min as per IEC60529  
 ( depending on counterpart used )  
 Sealing in mated conditions : IP69K as per DIN40050  
 ROHS compliant

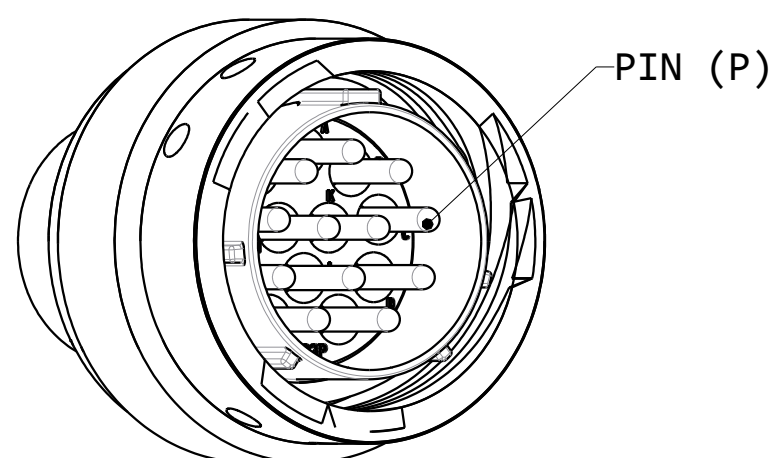
**NOTES :**

- 1- Contact identification and orientation of connector, refer to :  
 UT0-CONTACT-L-C01 (Male)  
 UT0-CONTACT-L-C02 (Female)
- 2- Contact to be ordered separately refer to : UT0 catalog
- 3- This drawing covers p/n termination : -H / -H6
- 4- Packaging: connector is individually packed in a plastic bag

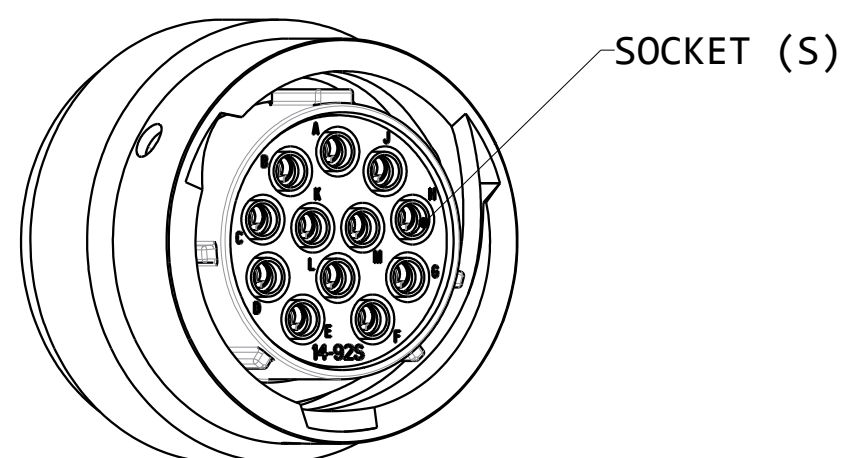
Part Number (Note 3)	Thread A for information	Ø B ±0.15	Ø C ±0.20	D Max		Ø E±0.20
				Male	Female	
UT06102W2--H-	9/16-24 UNEF Class 2A	20.00	21.80	35	33	10.15
UT06103W3--H-				35	27	
UT06103--H-				33	25.5	
UT06104--H-						
UT061044--H-	11/16-24 UNEF Class 2A	23.60	26.10	33	25.5	13.10
UT06124--H-						
UT06128--H-	13/16-20 UNEF Class 2A	26.80	29.30	34	34	16.40
UT06142G1--H-				33	25.5	
UT06147--H-				35	33	
UT06148--H-				25.5	19.50	
UT061492--H-						
UT061619--H-	15/16-20 UNEF Class 2A	30.00	32.45	33	27.5	21.65
UT061823--H-	1" 1/16-18 UNEF Class 2A	33.30	35.25			24.80
UT062028--H-	1" 3/16-18 UNEF Class 2A	36.55	38.80	33	27.5	27.99
UT062030--H-						
UT062235--H-	1" 5/16-18 UNEF Class 2A	39.50	42.00	33	27.5	31.16
UT062238--H-						
UT062448--H-	1" 7/16-18 UNEF Class 2A	42.60	45.05			

UT06	10	2W2	P	W	H	02
Receptacle UT0 : <i>Type 6</i>						
Shell size :						
Insert arrangement : <i>See Note 1</i>						
Contact : <i>P : Male</i> <i>S : Female</i>						
Insert polarisation : <i>No letter : Standard version</i> <i>W, X, Y, Z : Differents orientation</i>						
Sealing version : <i>H : IP67 version</i>						
Sealing version : <i>No letter : Standard version</i> <i>02 : Coupling nut is black anodized</i>						

**MALE CONNECTOR**



**FEMALE CONNECTOR**



A	20/04/2015	_CREATION OF THE DRAWING		24021
ISS	DATE	_Cancel & replace UT06-C01		MOD N°
Designed by:		COUTY L.	Date: 21/10/2013	CUSTOMER DRAWING
TITLE		PLUG UT0 PLUG CONNECTOR		
Scale	2/1	General linear Tolerances: ± 0.1	NPRDS / PROJECT UT0	
SOURIAU		WWW.SOURIAU.COM		This document is the property of SOURIAU It must not be reproduced or communicated without permission
FORMAT	A2	SOURIAU DRG N° C001-UT06-A		SHEET 1 / 1