



Chipsmall Limited consists of a professional team with an average of over 10 year of expertise in the distribution of electronic components. Based in Hongkong, we have already established firm and mutual-benefit business relationships with customers from,Europe,America and south Asia,supplying obsolete and hard-to-find components to meet their specific needs.

With the principle of “Quality Parts,Customers Priority,Honest Operation,and Considerate Service”,our business mainly focus on the distribution of electronic components. Line cards we deal with include Microchip,ALPS,ROHM,Xilinx,Pulse,ON,Everlight and Freescale. Main products comprise IC,Modules,Potentiometer,IC Socket,Relay,Connector.Our parts cover such applications as commercial,industrial, and automotives areas.

We are looking forward to setting up business relationship with you and hope to provide you with the best service and solution. Let us make a better world for our industry!



## Contact us

Tel: +86-755-8981 8866 Fax: +86-755-8427 6832

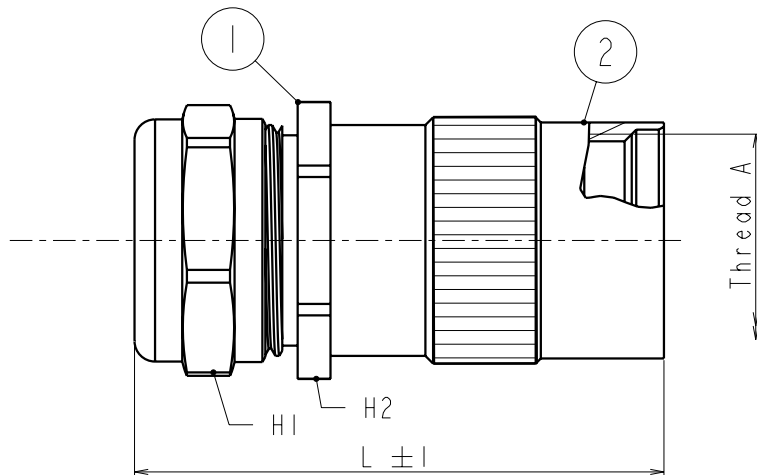
Email & Skype: info@chipsmall.com Web: www.chipsmall.com

Address: A1208, Overseas Decoration Building, #122 Zhenhua RD., Futian, Shenzhen, China



Reference	∅ ISO	L (mm)	H1 (mm)	H2 (mm)	Clamping range min/max	Clamping range on fail ∅ min	Torque (Nm) on the hood	Torque (Nm) on the body	Thread A
UTOS10JCS	M16	58.5	14	17	04/6.5	04	5	6	9/16-24 UNEF Class 2A
UTOS10JCSL	M16	59.5	17	17	05/8.5	4.5	5	6	9/16-24 UNEF Class 2A
UTOS12JCS	M20	61.5	20	22	07/10.5	06	8	10	11/16-24 UNEF Class 2A
UTOS12JCSL	M20	61.5	22	22	08/12.5	08	8	10	11/16-24 UNEF Class 2A
UTOS14JCS	M20	66.5	20	22	07/10.5	06	8	10	13/16-20 UNEF Class 2A
UTOS14JCSL	M20	66.5	22	22	08/12.5	08	8	10	13/16-20 UNEF Class 2A
UTOS16JCS	M25	72.5	24	26	10/14.5	10	12	14	15/16-20 UNEF Class 2A
UTOS16JCSL	M25	82.5	30	30	13.5/18	13.5	12	14	15/16-20 UNEF Class 2A
UTOS18JCS	M25	75.5	24	26	10/14.5	10	12	14	1" 1/16-18 UNEF Class 2A
UTOS18JCSL	M25	85.5	30	30	13.5/18	13.5	12	14	1" 1/16-18 UNEF Class 2A
UTOS20JCS	M32	84	30	33	13.5/18	13.5	20	24	1" 3/16-18 UNEF Class 2A
UTOS20JCSL	M32	93	40	40	17/24	17	20	24	1" 3/16-18 UNEF Class 2A
UTOS22JCS	M32	90.0	30	33	13.5/18	13.5	20	24	1" 5/16-18 UNEF Class 2A
UTOS22JCSL	M32	99	40	40	17/24	17	20	24	1" 5/16-18 UNEF Class 2A
UTOS24JCS	M32	95.5	30	33	13.5/18	13.5	20	24	1" 7/16-18 UNEF Class 2A
UTOS24JCSL	M32	104.5	40	40	17/24	17	20	24	1" 7/16-18 UNEF Class 2A

## Shielded version



### MATERIAL :

Cable clamp: Brass nickel plated  
Tube: Brass nickel plated

### PERFORMANCE CHARACTERISTICS :

Operating temperature: -40°C up to 105°C  
Corrosion salt spray: 96 hours

A	07/06/04	--	Creation of the drawing		--
ISS	DATE	Latest modification - by:	--	MOD N°	
Designed by:		C. PROVOST	Date: 07/06/04	Type of drawing:	ASSEMBLAGE
Checked by:		SEE DISTRIBUTION LIST	Date:	SEE DISTRIBUTION LIST	
TITLE		Connector UTO et UTOW Kit cable clamp with tube			
Scale	General angular	MATERIAL : --			
3/1	Tolerances: ± --				
	General linear	General machining	Geometrical Tolerances	PROJECT	
	Tolerances: ± --	surface texture	See NF E 04-552	MSK1	
		<b>SOURIAU</b> Route Nationale 23 72470 CHAMPAGNE Tel. (33)02.43.54.35.00		This document is the property of SOURIAU It must not be reproduced or communicated without permission	
FORMAT	SOURIAU DRG N°			SHEET	
A2	UTOSXXJCS-C02			1 / 1	