



Chipsmall Limited consists of a professional team with an average of over 10 year of expertise in the distribution of electronic components. Based in Hongkong, we have already established firm and mutual-benefit business relationships with customers from,Europe,America and south Asia,supplying obsolete and hard-to-find components to meet their specific needs.

With the principle of “Quality Parts,Customers Priority,Honest Operation,and Considerate Service”,our business mainly focus on the distribution of electronic components. Line cards we deal with include Microchip,ALPS,ROHM,Xilinx,Pulse,ON,Everlight and Freescale. Main products comprise IC,Modules,Potentiometer,IC Socket,Relay,Connector.Our parts cover such applications as commercial,industrial, and automotives areas.

We are looking forward to setting up business relationship with you and hope to provide you with the best service and solution. Let us make a better world for our industry!



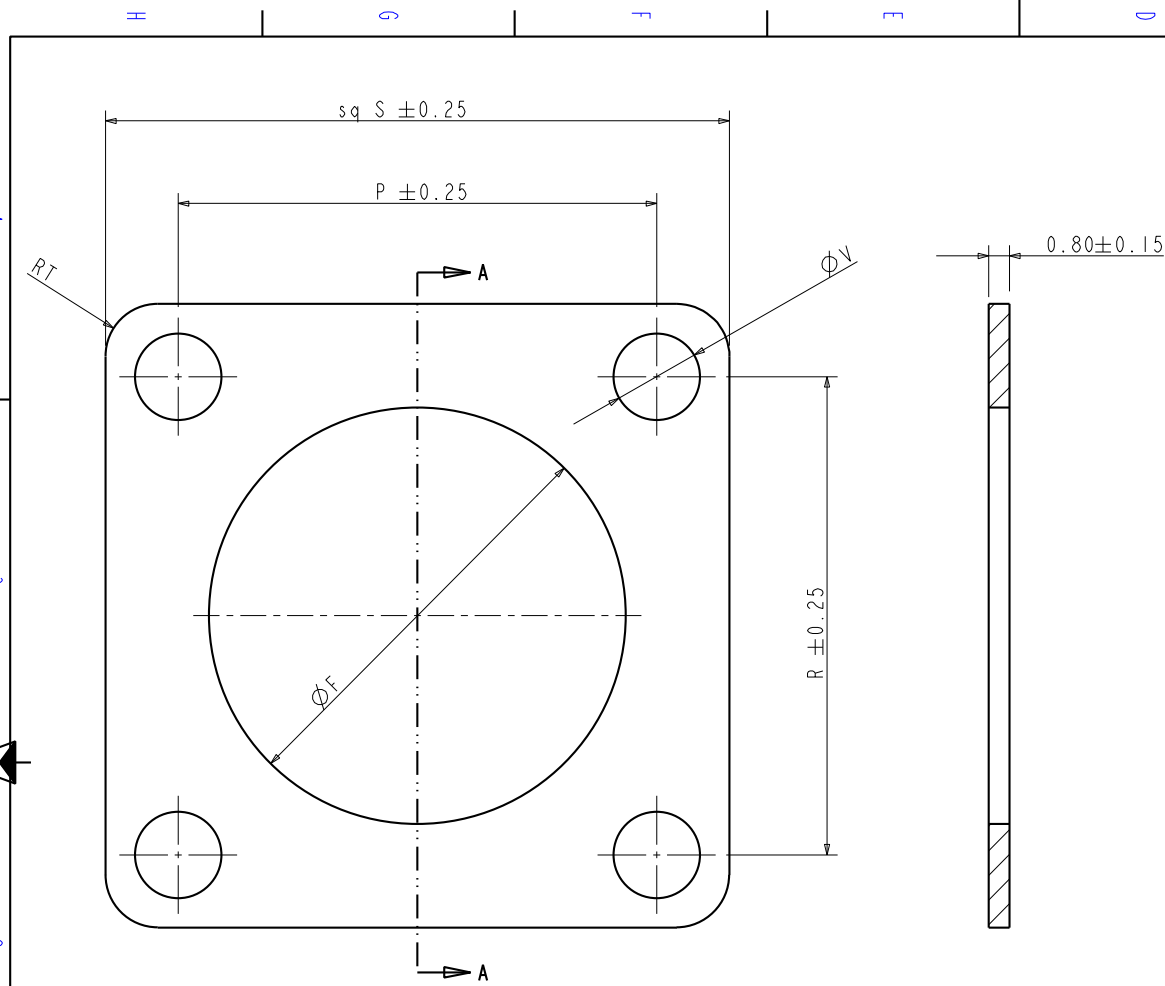
## Contact us

Tel: +86-755-8981 8866 Fax: +86-755-8427 6832

Email & Skype: info@chipsmall.com Web: www.chipsmall.com

Address: A1208, Overseas Decoration Building, #122 Zhenhua RD., Futian, Shenzhen, China





Size	Cat. Nr.	F	P	R	S	T	V
8	UTFD11B	12.80	15.10	15.10	20.62	3	3.3
10	UTFD12B	15.90	18.25	18.25	23.80	2	
12	UTFD13B	19.00	20.60	20.60	26.20		
14	UTFD14B	22.20	23.00	23.00	28.60		
16	UTFD15B	25.40	24.60	24.60	31.00	2.5	4.0
18	UTFD16B	28.60	27.00	27.00	33.30		
20	UTFD17B	31.75	29.35	29.35	36.50		
22	UTFD18B	34.90	31.75	31.75	39.70	3.0	
24	UTFD19B	38.10	34.90	34.90	42.90		

P/N : UTFD--B

SECTION A-A

Material: NBR

Note :  
The seals must be packed by 100 in plastic bag

c	15/04/10	Add note for packing	--
ISS	DATE	Latest modification - by: C.ROUILLARD	MOD N°
Designed by: C.ROUILLARD		Date: 05/08/08	CUSTOMER DRAWING
TITLE		SEALING for wall mounting receptacle	
Scale	5/1	General linear Tolerances: $\pm$	NPRDS / PROJECT
		<a href="http://WWW.SOURIAU.COM">WWW.SOURIAU.COM</a>	
This document is the property of SOURIAU It must not be reproduced or communicated without permission		--	
FORMAT	A3	SOURIAU DRG N°	BSC062827000
NOT EXPORT CONTROLLED			SHEET 1/1