



Chipsmall Limited consists of a professional team with an average of over 10 year of expertise in the distribution of electronic components. Based in Hongkong, we have already established firm and mutual-benefit business relationships with customers from,Europe,America and south Asia,supplying obsolete and hard-to-find components to meet their specific needs.

With the principle of “Quality Parts,Customers Priority,Honest Operation,and Considerate Service”,our business mainly focus on the distribution of electronic components. Line cards we deal with include Microchip,ALPS,ROHM,Xilinx,Pulse,ON,Everlight and Freescale. Main products comprise IC,Modules,Potentiometer,IC Socket,Relay,Connector.Our parts cover such applications as commercial,industrial, and automotives areas.

We are looking forward to setting up business relationship with you and hope to provide you with the best service and solution. Let us make a better world for our industry!



Contact us

Tel: +86-755-8981 8866 Fax: +86-755-8427 6832

Email & Skype: info@chipsmall.com Web: www.chipsmall.com

Address: A1208, Overseas Decoration Building, #122 Zhenhua RD., Futian, Shenzhen, China



A.6: Validé

MASS ± 5%	30.5 g
-----------	--------

NOTES

MATERIALS
 BACKSHELL BODY : BLACK POLYAMID
 CABLE GLAND FLAT SEAL : NBR OR CR
 CABLE GLAND BODY AND NUT : BLACK POLYAMID
 CABLE GLAND SEAL : CR

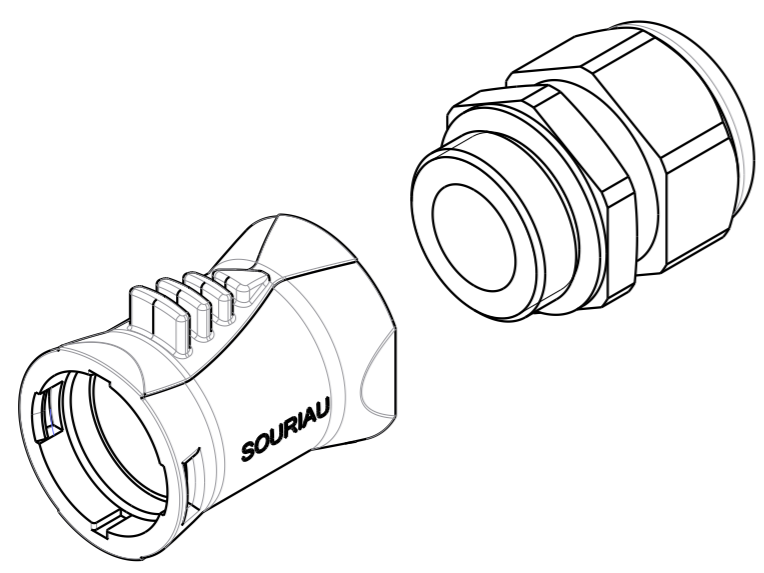
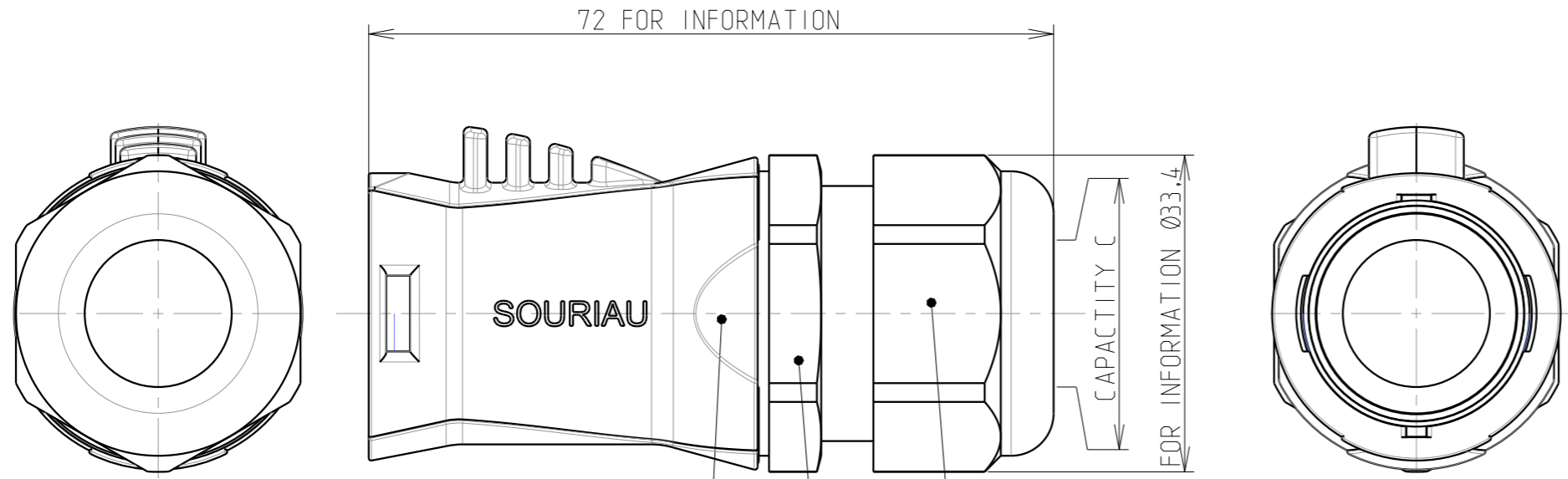
PERFORMANCES CHARACTERISTICS
 SEE COUNTER PART'S CUSTOMER DRAWING

REGULATION
 ROHS COMPLIANT

1. COUNTERPART REFERENCE UTL PLUG UTL6xx145Sxxx
2. BACKSHELL IS DELIVERED AS PRE-ASSEMBLED KIT
3. UNIT IN MM
4. CAPACITY C : Ø10/17mm
5. FOR WIRING AND USED INSTRUCTIONS, SEE BT330

4
3
2

4
3
2



Country	Jurisdiction & Control List
FR	NOT LISTED

SOURIAU shall not be liable for any non-conformity or damage due to a use of the Products which does not comply with the Specifications issued by either of the Parties or by a third party (professional recommendation, technical notice.)

P/N : UTL14JC

A	21/12/2016	Creation	24328PR
ISS	DATE	Latest modification - by: --	MOD N°
Designed by: RAGAINÉ M.		Date: 21/12/16	CUSTOMER DRAWING
TITLE		BACKSHELL SIZE 14 UTL CONNECTOR	
Scale	1/1	General Linear Tolerances: ± 0.2	NPRDS / PROJECT BE151304A
SOURIAU		WWW.SOURIAU.COM	
This document is the property of SOURIAU It must not be reproduced or communicated without permission			
FORMAT	SOURIAU DRG N° UTL1-0097A-C		SHEET 1 / 1

H | G | F | E | D | C | B | A