



Chipsmall Limited consists of a professional team with an average of over 10 year of expertise in the distribution of electronic components. Based in Hongkong, we have already established firm and mutual-benefit business relationships with customers from,Europe,America and south Asia,supplying obsolete and hard-to-find components to meet their specific needs.

With the principle of “Quality Parts,Customers Priority,Honest Operation,and Considerate Service”,our business mainly focus on the distribution of electronic components. Line cards we deal with include Microchip,ALPS,ROHM,Xilinx,Pulse,ON,Everlight and Freescale. Main products comprise IC,Modules,Potentiometer,IC Socket,Relay,Connector.Our parts cover such applications as commercial,industrial, and automotives areas.

We are looking forward to setting up business relationship with you and hope to provide you with the best service and solution. Let us make a better world for our industry!



Contact us

Tel: +86-755-8981 8866 Fax: +86-755-8427 6832

Email & Skype: info@chipsmall.com Web: www.chipsmall.com

Address: A1208, Overseas Decoration Building, #122 Zhenhua RD., Futian, Shenzhen, China



A.14: Validé

MASS ± 5% 59.5 g

NOTES

MATERIALS
 SHELL : BLACK POLYAMID
 COUPLING / BACKSHELL O'RING : LUBRICATED RED SILICON
 LOCKING LATCH : STAINLESS STEEL
 BACKSHELL BODY : BLACK POLYAMID
 FLAT SEAL : NBR OR CR
 CABLE GLAND BODY AND NUT : BLACK POLYAMID
 CABLE GLAND SEAL : CR
 CONTACT BODY : BRASS ALLOY
 CONTACT CLIP : COPPER ALLOY
 SCREW : STAINLESS STEEL

PERFORMANCES CHARACTERISTICS

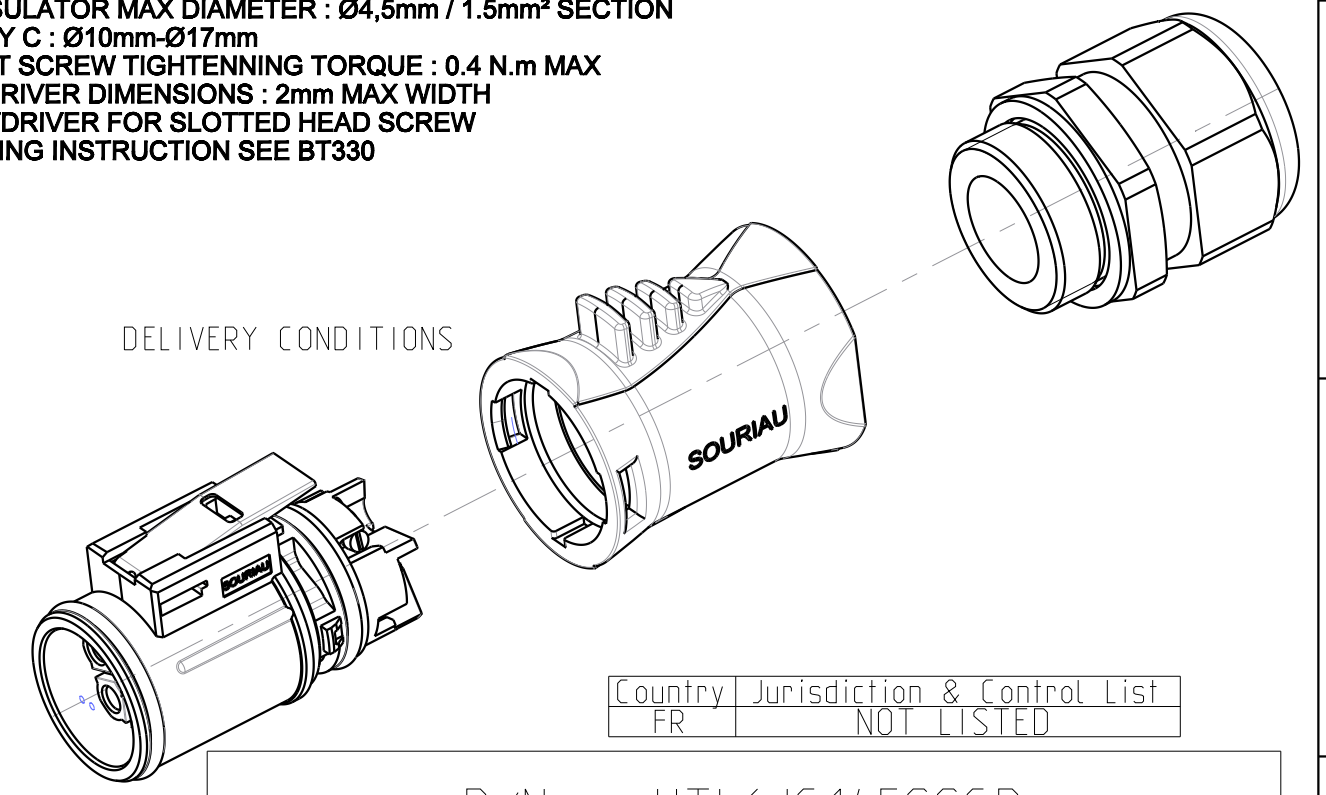
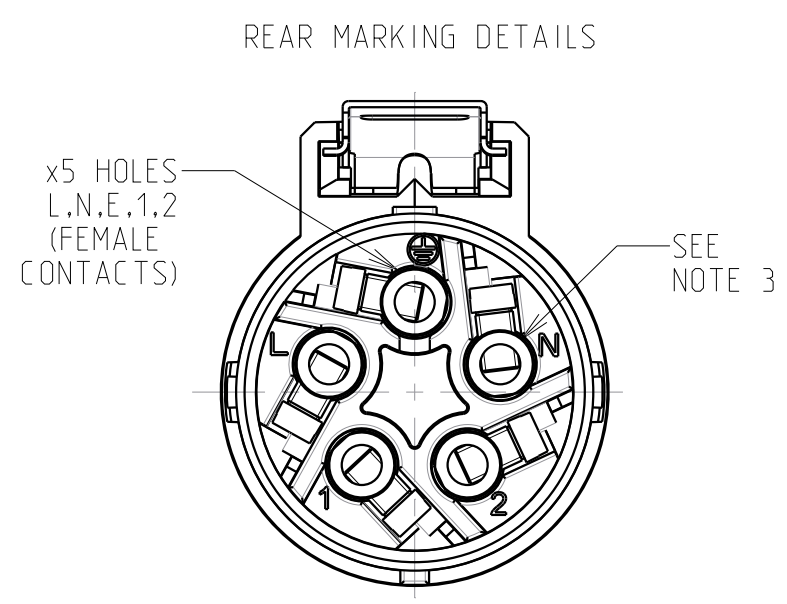
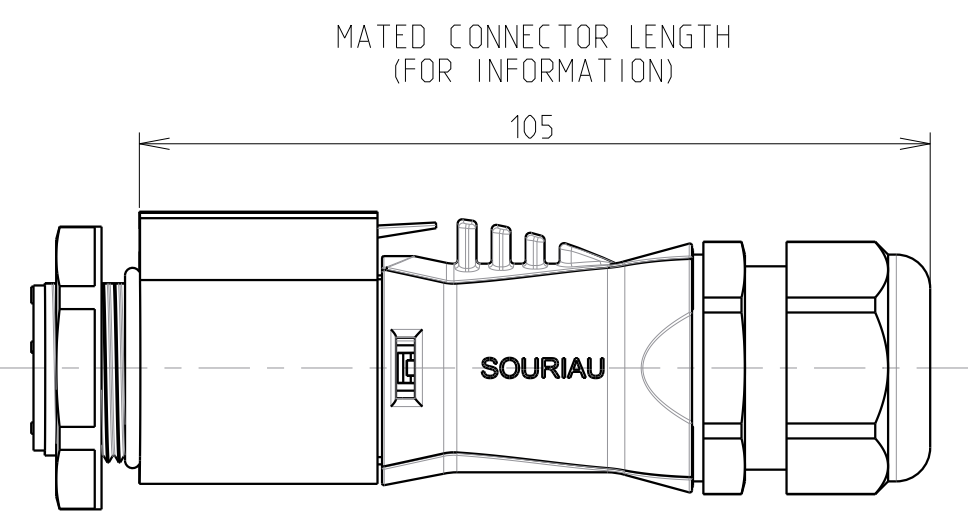
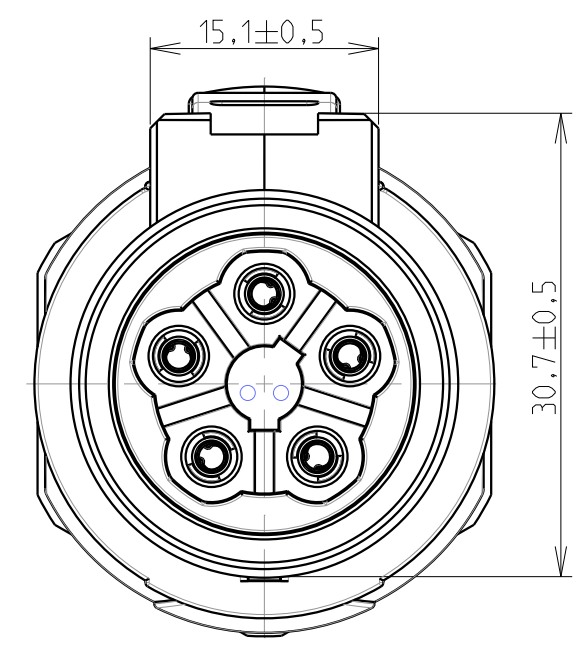
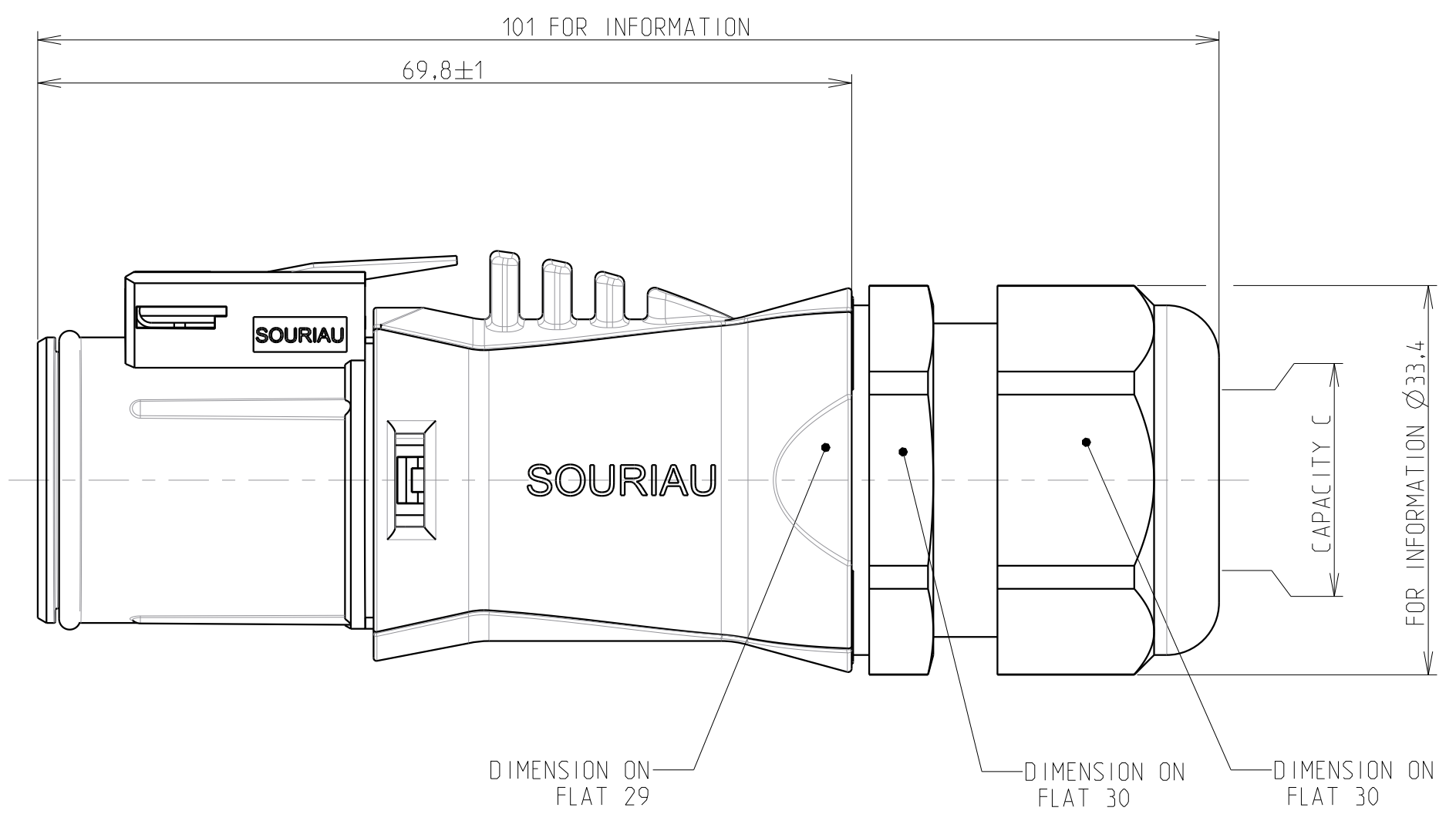
MECHANICAL
 TEMPERATURE CLASS IEC61984/UL1977 -40°C TO 105°C
 DURABILITY IEC61984 500 MATE / UNMATE CYCLES
 SEALING IN MATED CONDITIONS IEC60529 IP68 1BAR DURING 1WEEK
 DIN40050 IP69K
 OPEN FACE SEALING IEC60529 WITH SEALED CONTACT REF. R*M25* CONTACTS
 POLLUTION DEGREE IEC61984 4
 CORROSION SALT SPRAY IEC61984 MIN 1000H EXPOSURE
 FLAMMABILITY UL94 INSULATING MATERIAL : VO LEVEL
 SCOOP PROOF

ELECTRICAL

TOUCH PROOF IEC60529 IP2X
 WITHSTANDING VOLTAGE 2200VAC DURING 1 MIN
 GROUND POSITION FIRST MATE LAST BREAK
 POWER POSITION MARKED "L" AND "N"
 NOMINAL CURRENT UL1977 16A WITH AWG14 WIRE / 13A WITH AWG16 WIRE
 IEC61984 16A WITH 2.5MM² WIRE / 13A WITH 1.5MM² WIRE
 NOMINAL VOLTAGE UL1977 277V
 IEC61984 250VAC 4KV 4 FOR CLASS II EQUIPMENT
 IEC61984 500VAC 6KV 4 FOR CLASS I EQUIPMENT
 NOMINAL CURRENT AND VOLTAGE FOR CBC USE UL1977 277V 13A WITH AWG14/16 WIRES FOR CBC USE
 IEC61984 250VAC 13A 4KV 4 FOR CBC USE
 CONTROL POSITION MARKED "1" AND "2" 48V , 1A, FREQUENCY UP TO 100 Mhz

REGULATION :
 ROHS COMPLIANT

- COUNTERPART REFERENCE UTL RECEPTACLE
- CONNECTORS ARE DELIVERED AS PRE-ASSEMBLED KIT
- CONTACTS ARE INCLUDED INTO THE KIT
- UNIT IN MM
- WIRE INSULATOR MAX DIAMETER : Ø4,5mm / 1.5mm² SECTION
- CAPACITY C : Ø10mm-Ø17mm
- CONTACT SCREW TIGHTENING TORQUE : 0.4 N.m MAX
- SCREWDRIVER DIMENSIONS : 2mm MAX WIDTH
 TIP SCREWDRIVER FOR SLOTTED HEAD SCREW
- FOR WIRING INSTRUCTION SEE BT330



Country Jurisdiction & Control List
 FR NOT LISTED

P/N : UTL6JC145SSCR

A	24/01/2017	First edition	24328PR
ISS	DATE	Latest modification - by:	MOD N°
Designed by:	R.M.	Date: 1 24/01/2017	CUSTOMER DRAWING
TITLE		FEMALE PLUG TYPE 6 SIZE 14 LAYOUT 5 SCREW TIGHTENING CTS UTL CONNECTOR	
Scale	1/1	General linear Tolerances: ± 0.2	NPRDS / PROJECT BE151304A
SOURIAU WWW.SOURIAU.COM		This document is the property of SOURIAU It must not be reproduced or communicated without permission	
FORMAT	A2	SOURIAU DRG N° UTL1-0081A-C	SHEET 1 / 1