



Chipsmall Limited consists of a professional team with an average of over 10 year of expertise in the distribution of electronic components. Based in Hongkong, we have already established firm and mutual-benefit business relationships with customers from,Europe,America and south Asia,supplying obsolete and hard-to-find components to meet their specific needs.

With the principle of “Quality Parts,Customers Priority,Honest Operation,and Considerate Service”,our business mainly focus on the distribution of electronic components. Line cards we deal with include Microchip,ALPS,ROHM,Xilinx,Pulse,ON,Everlight and Freescale. Main products comprise IC,Modules,Potentiometer,IC Socket,Relay,Connector.Our parts cover such applications as commercial,industrial, and automotives areas.

We are looking forward to setting up business relationship with you and hope to provide you with the best service and solution. Let us make a better world for our industry!



## Contact us

Tel: +86-755-8981 8866 Fax: +86-755-8427 6832

Email & Skype: info@chipsmall.com Web: www.chipsmall.com

Address: A1208, Overseas Decoration Building, #122 Zhenhua RD., Futian, Shenzhen, China



# ECO SERIES UNIDIRECTIONAL SINGLE CHANNEL TAP MONITOR

## UTMS Eco Series

### Key Features

- ◆ Detect optical signal from one direction
- ◆ Wide band, low IL, low dark current
- ◆ Hermetically sealed photodiode
- ◆ RoHS 6

### Applications

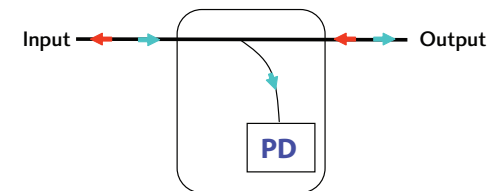
- ◆ EDFAs and Raman Amplifiers
- ◆ Optical Protection
- ◆ ROADM
- ◆ Instrumentation



### Performance Specification

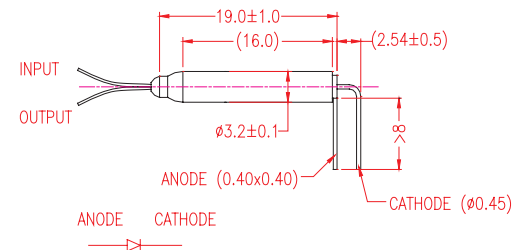
Parameters	Specification		Unit
Operating Wavelength Range	1260~1360	1510~1610	nm
Through	Insertion Loss	2%	≤ 0.5
	(@ λ <sub>op</sub> , T <sub>op</sub> , All SOP, exclude connector)	5%	≤ 0.7
		10%	≤ 1.0
	Polarization Dependent Loss		≤ 0.05
			dB
			dB
Tapped Monitoring	Responsivity	2%	10~23
	(relative to nominal power at input port)	5%	26~59
		10%	52~110
			14~25
			35~65
			70~120
			mA/W
			dB
			dB
PD	PD Dark Current (@ 70°C, -5V bias)		≤ 5
	Bandwidth (50 ohm, 5V, -3dB)		≥ 1
	Reverse Voltage		≤ 20
	Forward Current		≤ 5
			nA
			V
			mA
Conditions	Input Optical Power	2%	≤ 21
		5%	≤ 16
		10%	≤ 12
			dBm
Fiber Type	Operating Temperature Range (<85%RH, non-condensing)	0 to +70	
	Storage Temperature Range (<85%RH, non-condensing)	-40 to +85	
			°C
			°C

### Functional Diagram



### Dimensions

P3 Package with Bare Fiber :

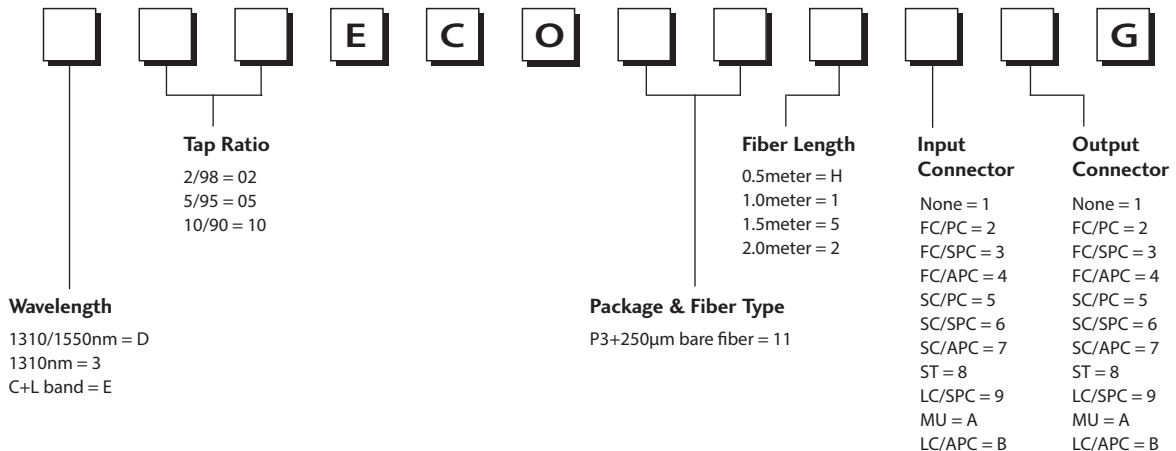


Notes: <sup>(1)</sup> Directivity is defined as  $-10 \log(\mathfrak{R}_{OUT \rightarrow PD} / \mathfrak{R}_{IN \rightarrow PD})$  where  $\mathfrak{R}$  stands for responsivity.

\*All spec excluding connectors. The maximum IL is under all states of polarization and within the full operating temperature and wavelength ranges specified.

### Ordering Information

UTMS



S0459 - R01 (web) 20140814