



Chipsmall Limited consists of a professional team with an average of over 10 year of expertise in the distribution of electronic components. Based in Hongkong, we have already established firm and mutual-benefit business relationships with customers from,Europe,America and south Asia,supplying obsolete and hard-to-find components to meet their specific needs.

With the principle of “Quality Parts,Customers Priority,Honest Operation,and Considerate Service”,our business mainly focus on the distribution of electronic components. Line cards we deal with include Microchip,ALPS,ROHM,Xilinx,Pulse,ON,Everlight and Freescale. Main products comprise IC,Modules,Potentiometer,IC Socket,Relay,Connector.Our parts cover such applications as commercial,industrial, and automotives areas.

We are looking forward to setting up business relationship with you and hope to provide you with the best service and solution. Let us make a better world for our industry!



## Contact us

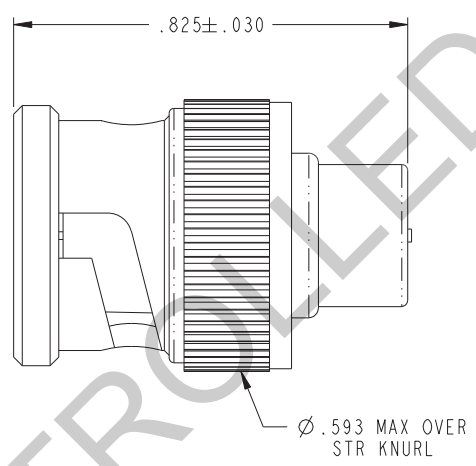
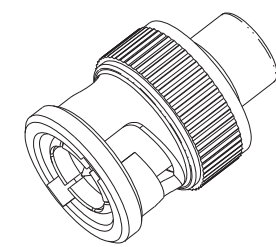
Tel: +86-755-8981 8866 Fax: +86-755-8427 6832

Email & Skype: info@chipsmall.com Web: www.chipsmall.com

Address: A1208, Overseas Decoration Building, #122 Zhenhua RD., Futian, Shenzhen, China



ZONE	REV	ECO	DESCRIPTION	APPROVER	DATE
	E	15971		L.M.	11/6/05
	F	53714		T. KOHLER	10/3/11



2. TERMINATOR 75Ω BNC TYPE COAXIAL PLUG  
-27dB RETURN LOSS UP TO 2.5 GHz.

1. FINISH:  
BODY: NICKEL  
CONTACTS: GOLD  
BAYONET SLEEVE: BLACK

	MODEL NO.					
	CAGE CODE 14949		TITLE UTNA2000			
<small>THIS PROPRIETARY DOCUMENT IS PROPERTY OF EMERSON NETWORK POWER CONNECTIVITY SOLUTIONS. IT IS CONFIDENTIAL IN NATURE. NON-TRANSFERABLE, AND ISSUED WITH A CLEAR UNDERSTANDING THAT IT IS NOT TO BE REPRODUCED OR COPIED WITHOUT PERMISSION AND IS RETURNABLE UPON DEMAND.</small>	<small>UNLESS OTHERWISE SPECIFIED UNITS: INCH .XX ± .02 .XXX ± .010 .XXXX ± .005 ANGLE ± 1° 00'</small>	<small>3RD ANGLE PROJECTION</small> 	<small>DATE</small> 10/6/11	<small>DRAWING NO.</small> 1-0574	<small>REV.</small> F	<small>FINISH</small> 
		<small>APPROVED BY</small> T. KOHLER	<small>DATE</small> 10/7/11	<small>SIZE</small> C	<small>DO NOT SCALE DRAWING</small>	<small>SCALE</small> 5:1