



Chipsmall Limited consists of a professional team with an average of over 10 year of expertise in the distribution of electronic components. Based in Hongkong, we have already established firm and mutual-benefit business relationships with customers from,Europe,America and south Asia,supplying obsolete and hard-to-find components to meet their specific needs.

With the principle of “Quality Parts,Customers Priority,Honest Operation,and Considerate Service”,our business mainly focus on the distribution of electronic components. Line cards we deal with include Microchip,ALPS,ROHM,Xilinx,Pulse,ON,Everlight and Freescale. Main products comprise IC,Modules,Potentiometer,IC Socket,Relay,Connector.Our parts cover such applications as commercial,industrial, and automotives areas.

We are looking forward to setting up business relationship with you and hope to provide you with the best service and solution. Let us make a better world for our industry!



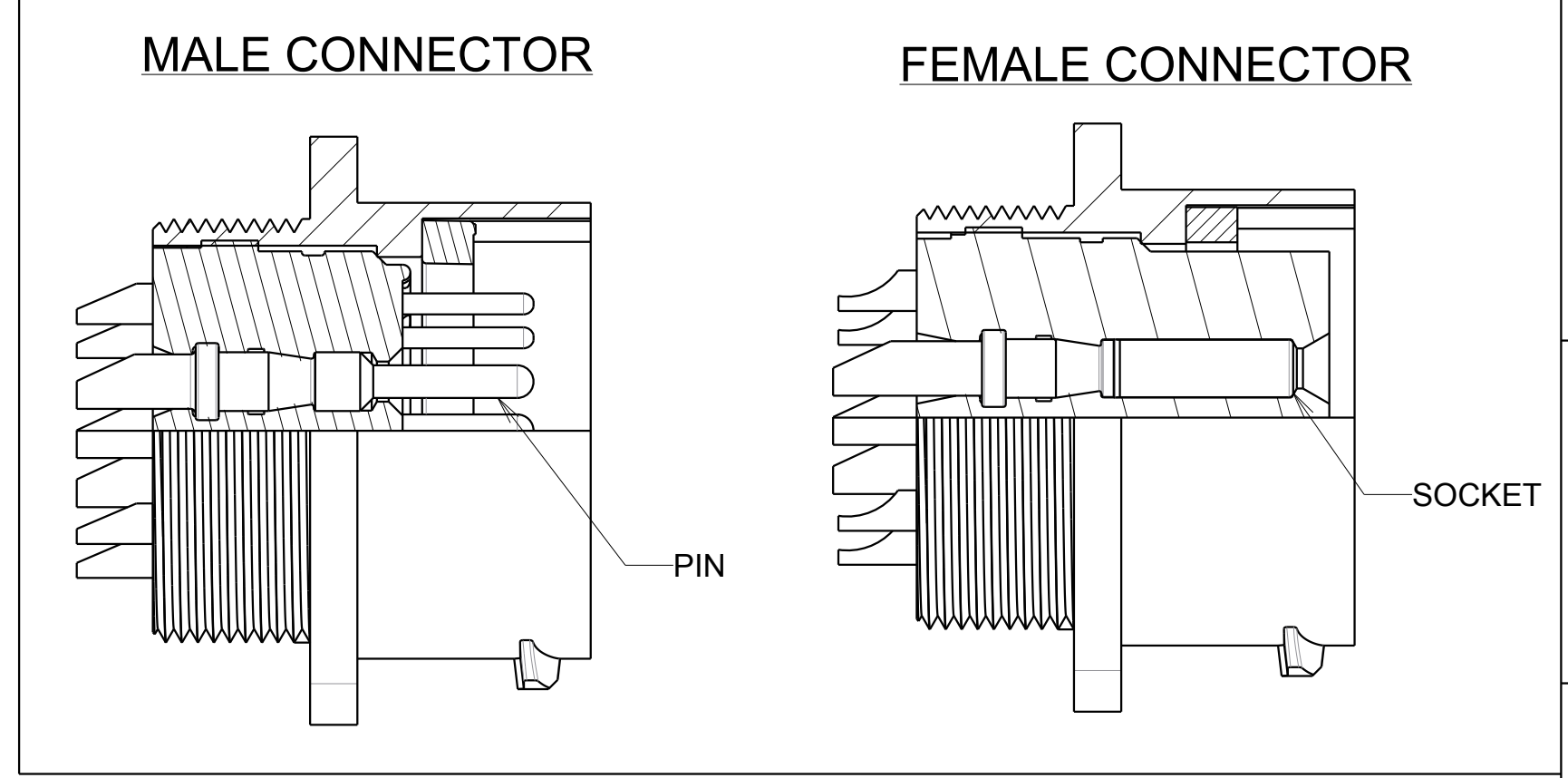
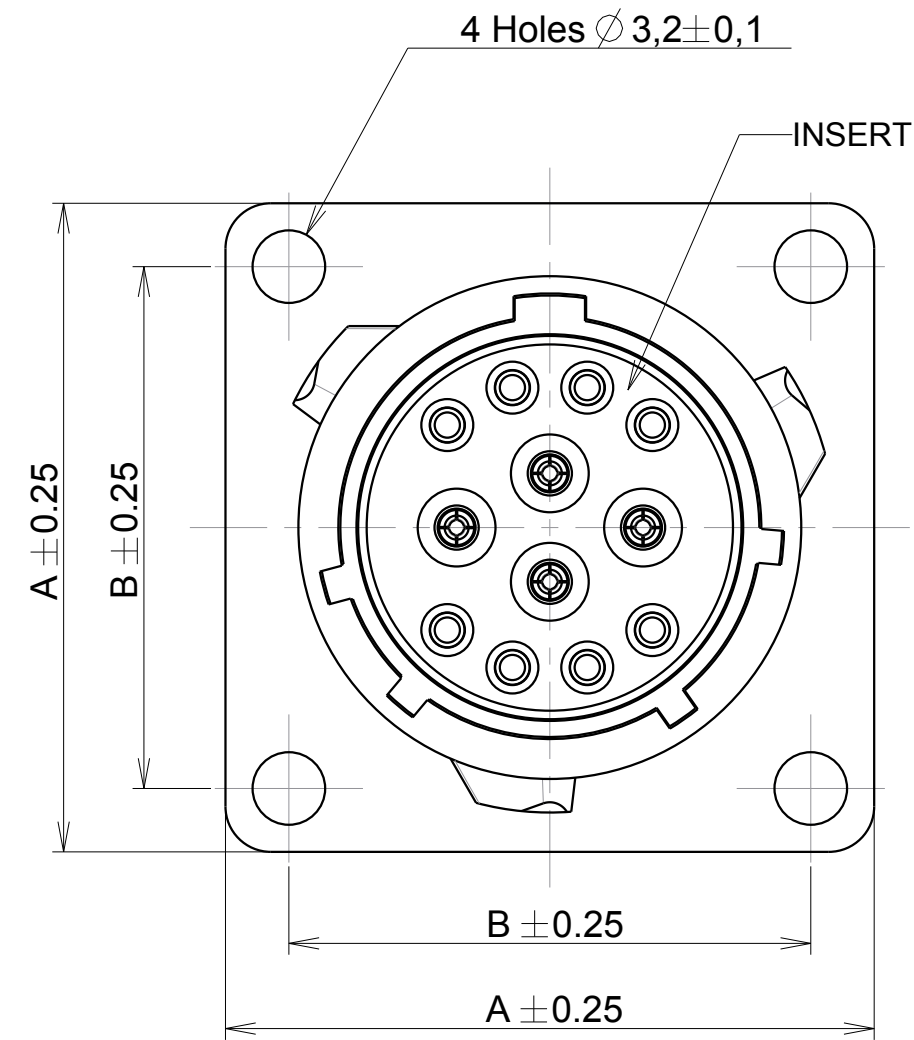
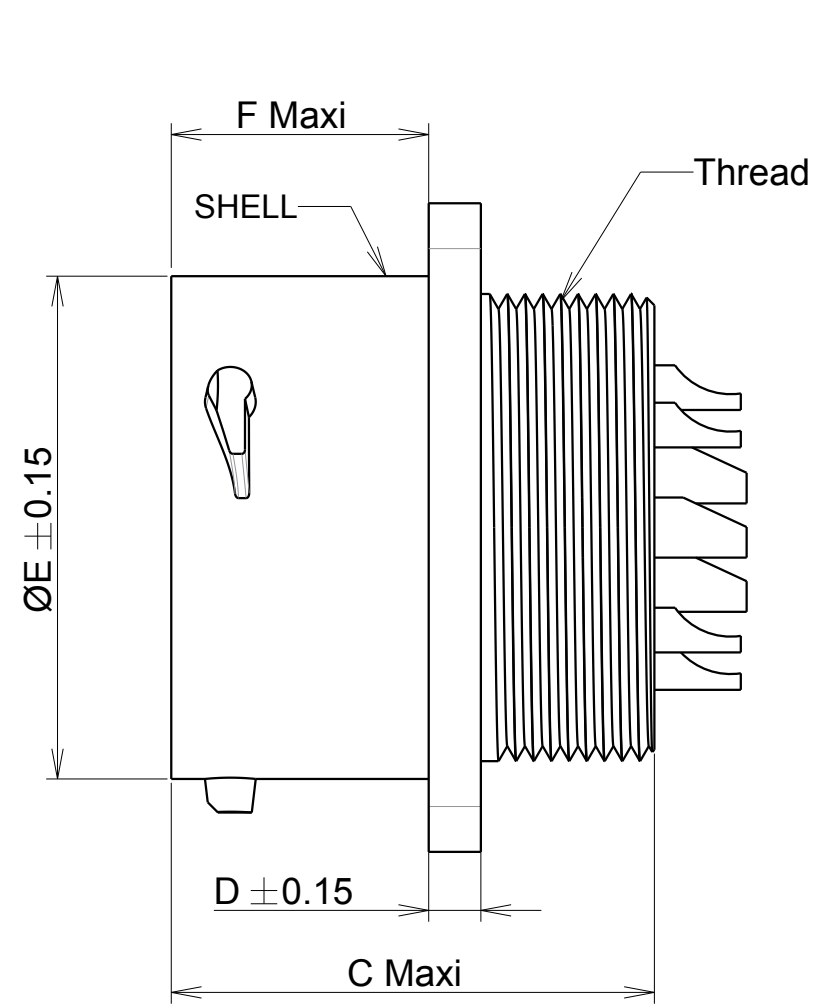
Contact us

Tel: +86-755-8981 8866 Fax: +86-755-8427 6832

Email & Skype: info@chipsmall.com Web: www.chipsmall.com

Address: A1208, Overseas Decoration Building, #122 Zhenhua RD., Futian, Shenzhen, China





SHELL SIZE	A ± 0.25	B ± 0.25	C Maxi	D ± 0.15	ØE ± 0.15	F Maxi	G ± 0.25	H ± 0.10	Thread
8	21.00	15.10	21.50	2.30	11.90	11.70	15.10	12.50	7/16 28 UNEF Class 2A
10	23.80	18.30	21.50	2.30	14.90	11.70	18.30	15.10	9/16 24 UNEF Class 2A
12	26.20	20.60	21.50	2.30	18.95	11.70	20.60	18.20	11/16 24 UNEF Class 2A
14	28.60	23.00	21.50	2.30	22.15	11.70	23.00	21.40	13/16 20 UNEF Class 2A

UTS0 14 E 12 P . XX
 Square flange receptacle UTS
 Shell size _____
 E = Handsolder contacts
 Insert arrangement (See table)
 P = Male contact
 S = Female contact
 Orientations _____
 Normal (no digit), W, X, Y, Z = different orientations
 Specification _____

MATERIAL :

Shell:PBT UL94 V-0 Black color
 Insert:Polychloroprene
 Seal gasket :Sealing IP68/69K : Silicone
 O'seal : Nitril
 Contact: brass + gold plated

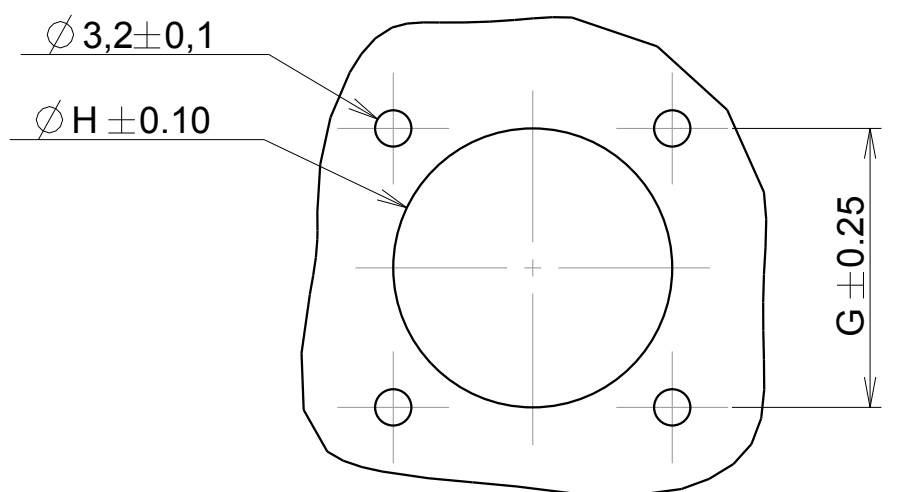
PERFORMANCE CHARACTERISTICS :

Operating temperature:-40° C up to 105° C
 Insulation resistance:5000 MΩ min
 Test potential:1500Vrms for #20 layout
 Corrosion salt spray:500 hours
 Durability:250 matings and unmatings
 Sealing in mated and unmated conditions:
 -IP68 1 bar during 1 week : immersion under 10 m of water.
 (IEC 60529)
 -IP69K : exposure to high pressure water of cleaning equipment(DIN 40050)

NOTE:

Insert arrangements : refer to C144-UTS1-A

PANEL CUT OUT



Country	Jurisdiction & Control List
FR	NOT LISTED

P/N : SEE TABLE

E	02/11/2017	Updating shell material	21774A
ISS	DATE	Latest modification - by:	COURTOIS L. MOD N°
Designed by: SORIN V.		Date: 26/10/07	CUSTOMER DRAWING
TITLE		SQUARE FLANGE RECEPTACLE UTS HI SEAL	
Scale	3/1	General linear Tolerances: ± 0.1	NPRDS / PROJECT UTS
SOURIAU		WWW.SOURIAU.COM	
This document is the property of SOURIAU It must not be reproduced or communicated without permission			
FORMAT	SOURIAU DRG N° C044-UTS1-A		SHEET 1 / 1

SOURIAU shall not be liable for any non-conformity or damage due to a use of the Products which does not comply with the Specifications issued by either of the Parties or by a third party (professional recommendation, technical notice.)