



Chipsmall Limited consists of a professional team with an average of over 10 year of expertise in the distribution of electronic components. Based in Hongkong, we have already established firm and mutual-benefit business relationships with customers from,Europe,America and south Asia,supplying obsolete and hard-to-find components to meet their specific needs.

With the principle of “Quality Parts,Customers Priority,Honest Operation,and Considerate Service”,our business mainly focus on the distribution of electronic components. Line cards we deal with include Microchip,ALPS,ROHM,Xilinx,Pulse,ON,Everlight and Freescale. Main products comprise IC,Modules,Potentiometer,IC Socket,Relay,Connector.Our parts cover such applications as commercial,industrial, and automotives areas.

We are looking forward to setting up business relationship with you and hope to provide you with the best service and solution. Let us make a better world for our industry!



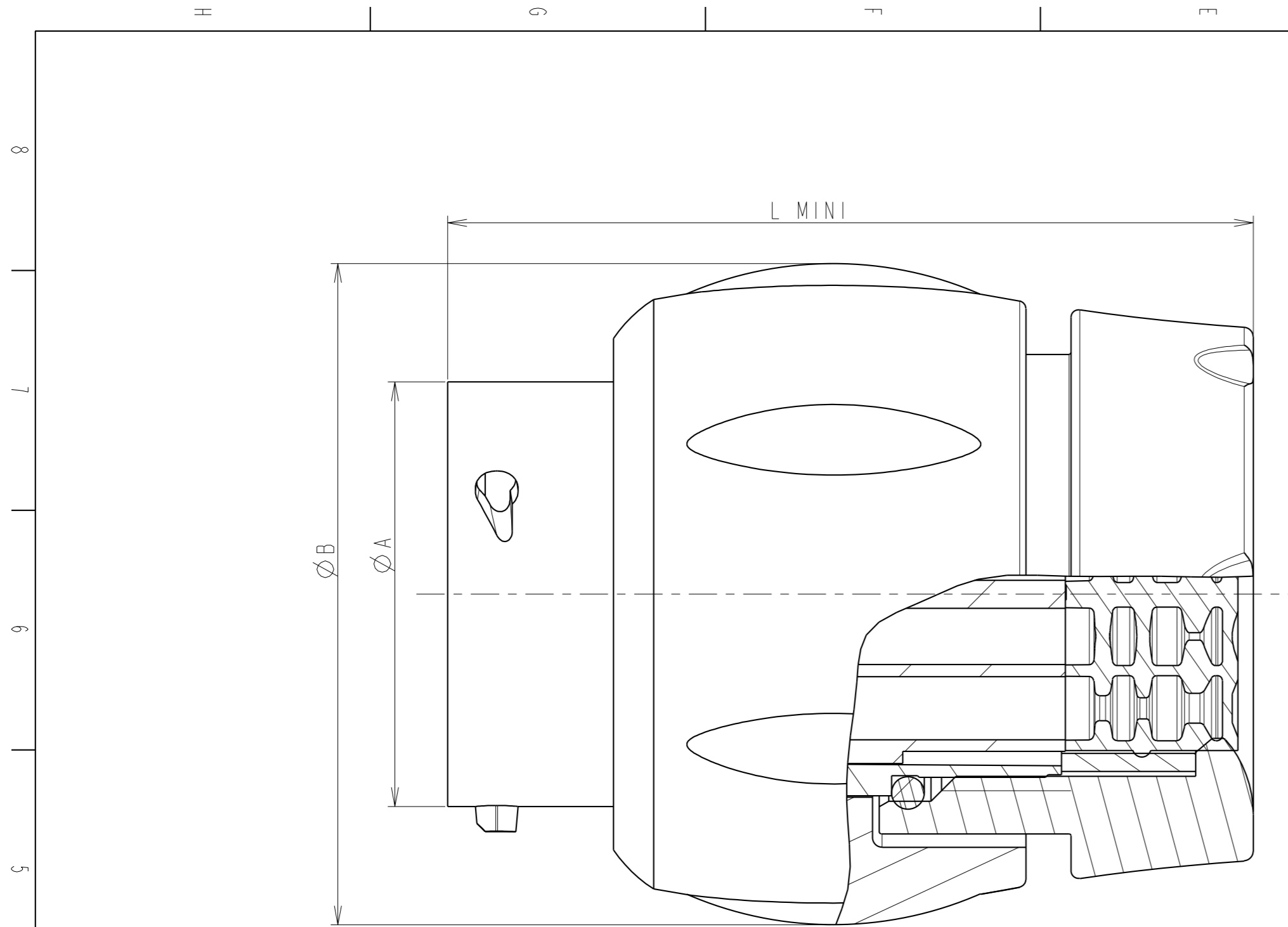
Contact us

Tel: +86-755-8981 8866 Fax: +86-755-8427 6832

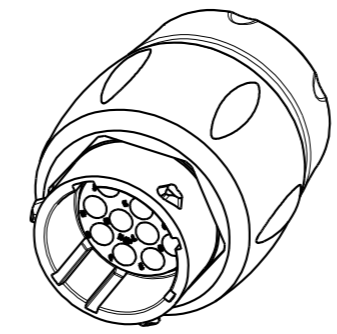
Email & Skype: info@chipsmall.com Web: www.chipsmall.com

Address: A1208, Overseas Decoration Building, #122 Zhenhua RD., Futian, Shenzhen, China





COUPE A-A
ECHELLE 4/1



MATERIAL :

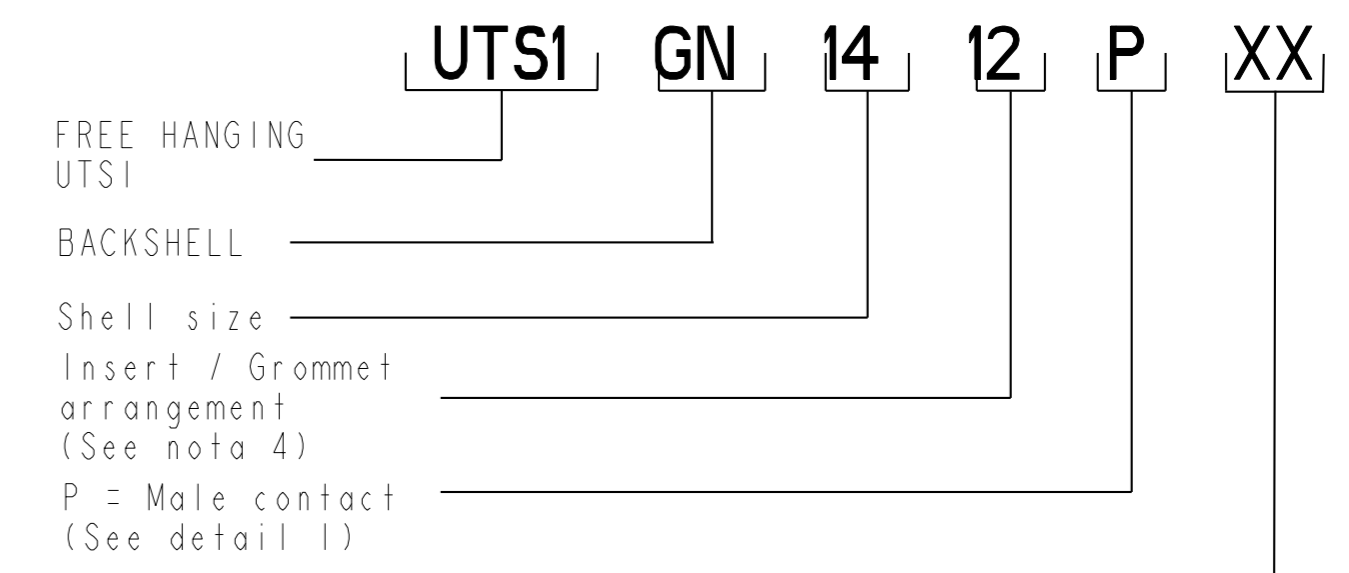
Shell: Polyamid UL94 V-0
 Insert: Polyamid UL94 V-0
 Seal gasket : Sealing IP68/69K : Silicone
 O'ring: nitril
 Backshell body : Polyamid UL94 V-0
 Backshell nut: Polyamid UL94 V-0
 Grommet : Silicone

PERFORMANCE CHARACTERISTICS :

Operating temperature: -40°C up to 105°C
 Insulation resistance: 5000 MΩmin
 Test potential: 2000 Vrms for #16 layout and 1500Vrms for #20 layout
 Corrosion salt spray: 500 hours
 Durability: 250 matings and unmatings
 Sealing in mated conditions:
 -IP68 1 bar during 1 week : immersion under 10 m of water.
 (IEC 60529)
 -IP69K : exposure to high pressure water of cleaning
 equipment(DIN 40050)

NOTES :

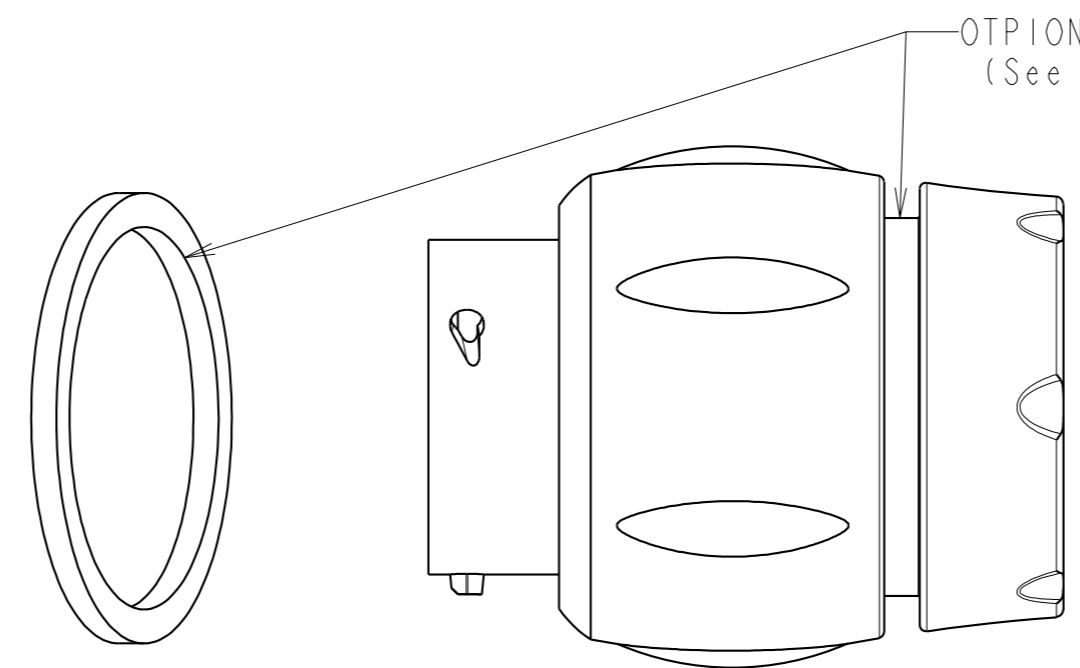
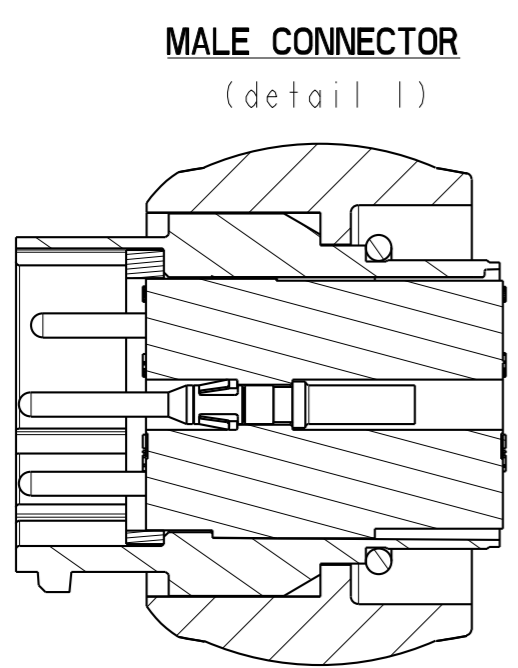
- 1-Free hanging and backshell are delivered as a kit
- 2-Contact to be ordered separately : refer to TRIM TRIO catalog
- 3-Colored ring to be orderd separately refer to customer drawing C006-UTSI-A
- 4-developed Grommet arrangements : refer to C042-UTSI-A



Specification _____

CUSTOMER DRAWING

SHELL SIZE	LAYOUT	ØA±0.15	ØB±0.15	L MIN.
14	See note 4	22.20	34.60	43
12	See note 4	19	29.70	40.90
10	See note 4	14.9	26.20	40.90



ECHELLE 2/1

b	11/03/08	--	Dimensionnal modifications	--
ISS	DATE	Latest modification - by: RAGAINÉ M.		MOD N°
Designed by: RAGAINÉ M.		Date: 12/02/08	CUSTOMER DRAWING	
TITLE		FREE HANGING+GROMMET+BACKSHELL NUT UTS CONNECTOR		
Scale	2/1	General linear Tolerances: ±0.1	NPRDS / PROJECT UTSI	
		WWW.SOURIAU.COM		This document is the property of SOURIAU. It must not be reproduced or communicated without permission.
FORMAT	A2	SOURIAU DRG N° C050-UTSI-A		SHEET

NOT EXPORT CONTROLLED