



Chipsmall Limited consists of a professional team with an average of over 10 year of expertise in the distribution of electronic components. Based in Hongkong, we have already established firm and mutual-benefit business relationships with customers from,Europe,America and south Asia,supplying obsolete and hard-to-find components to meet their specific needs.

With the principle of “Quality Parts,Customers Priority,Honest Operation,and Considerate Service”,our business mainly focus on the distribution of electronic components. Line cards we deal with include Microchip,ALPS,ROHM,Xilinx,Pulse,ON,Everlight and Freescale. Main products comprise IC,Modules,Potentiometer,IC Socket,Relay,Connector.Our parts cover such applications as commercial,industrial, and automotives areas.

We are looking forward to setting up business relationship with you and hope to provide you with the best service and solution. Let us make a better world for our industry!



Contact us

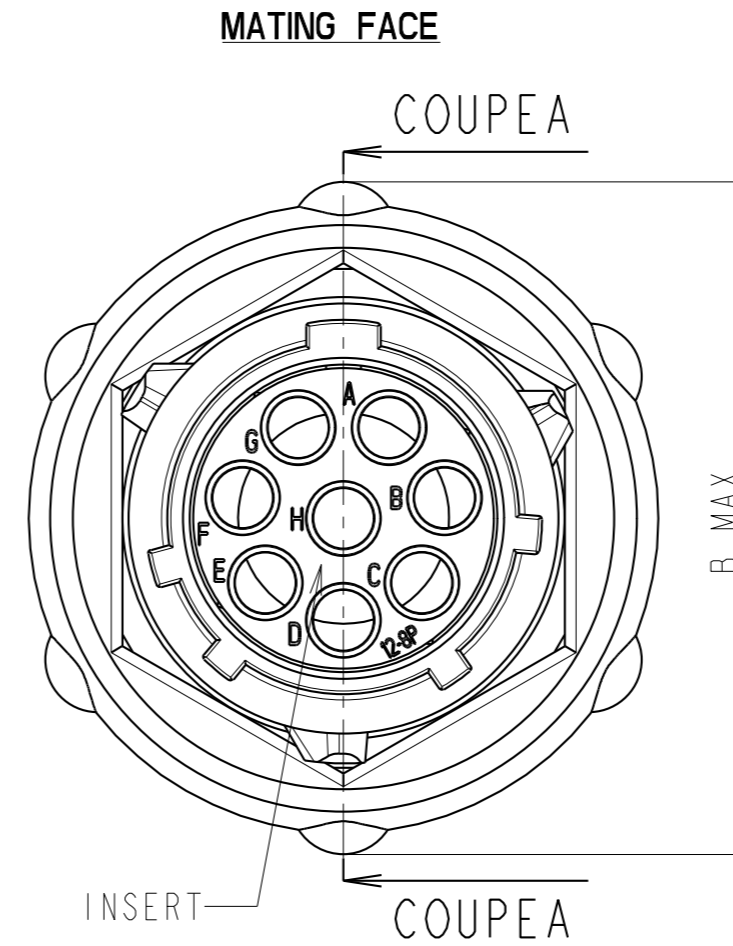
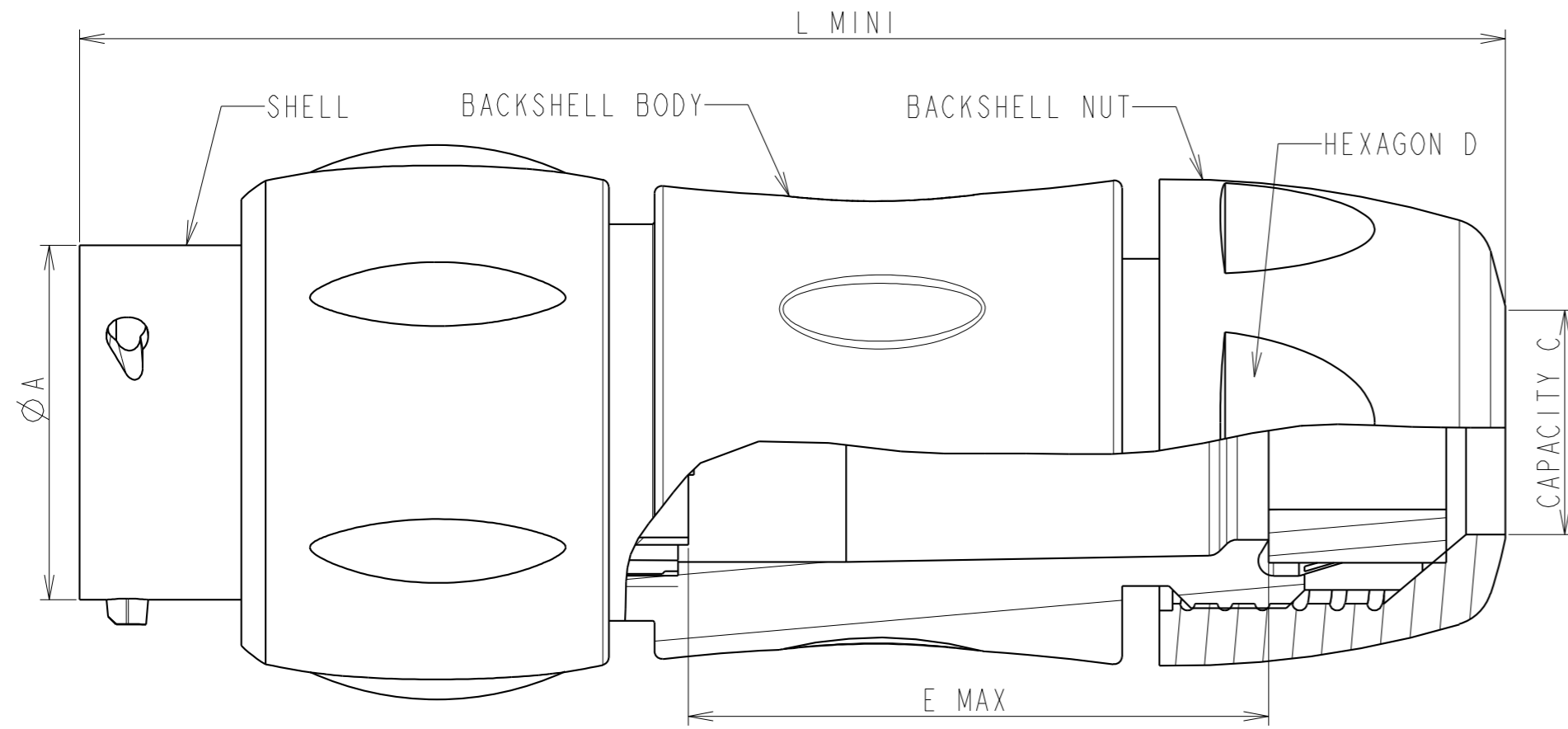
Tel: +86-755-8981 8866 Fax: +86-755-8427 6832

Email & Skype: info@chipsmall.com Web: www.chipsmall.com

Address: A1208, Overseas Decoration Building, #122 Zhenhua RD., Futian, Shenzhen, China



COUPE COUPEA-COUPEA
ECHELLE 3/1

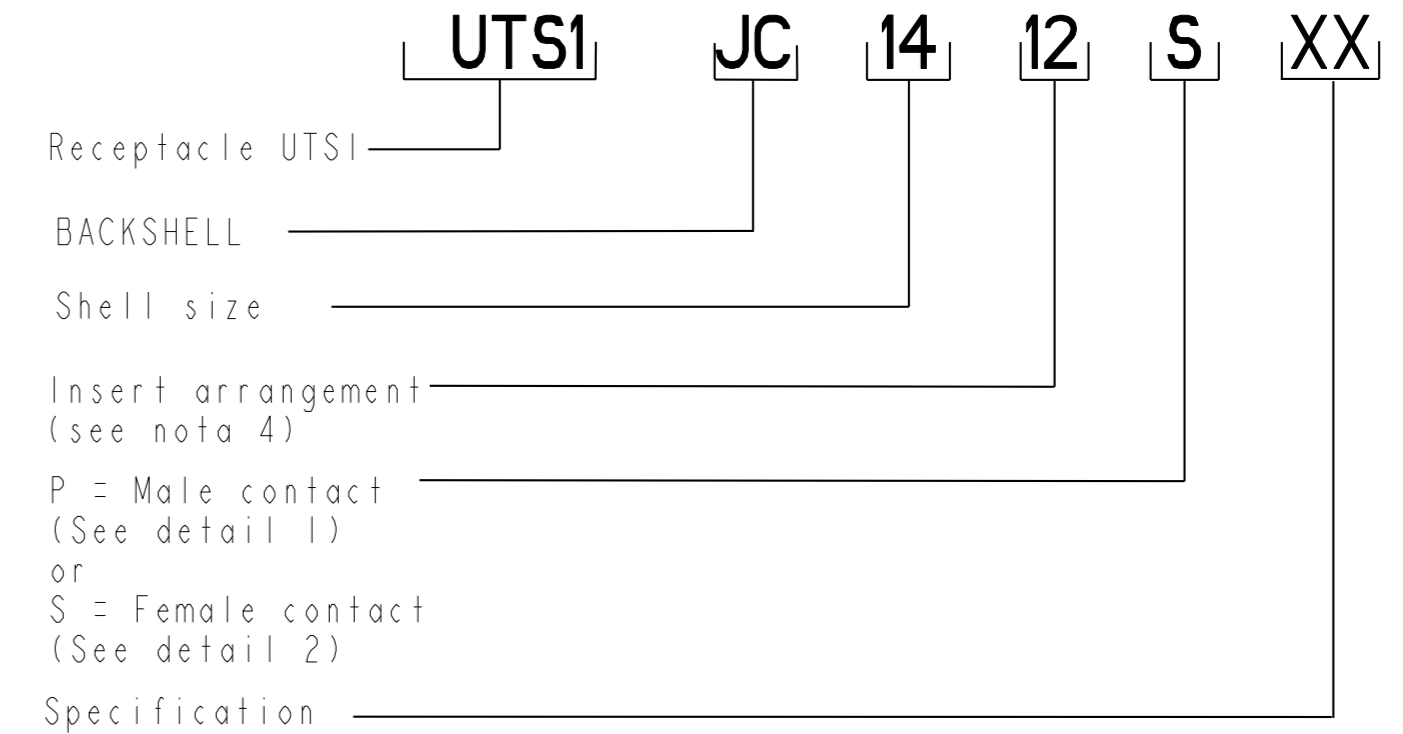


MATERIAL :
Inset: Polyamid UL94 V0
Shell : Polyamid UL94 V-0
Seal gasket : Sealing IP68/69K : Silicone
O'ring : Nitril

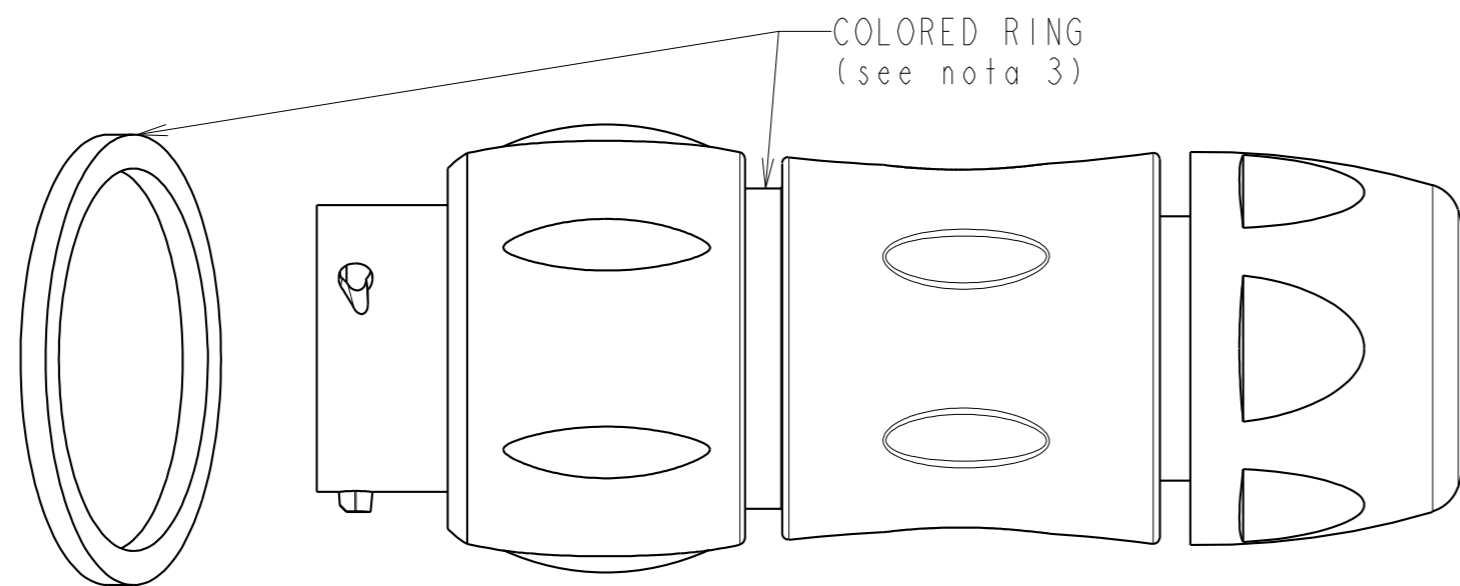
PERFORMANCE CHARACTERISTICS :
Operating temperature: -40°C up to 105°C
Insulation resistance: 5000 MΩmin
Contact resistance: < 3 mΩ
Test potential: 2000 Vrms for #16 layout and 1500Vrms for #20 layout
Corrosion salt spray: 500 hours
Durability: 250 matings and unmatings
Sealing in mated conditions:
-IP68 1 bar during 1 week : immersion under 10 m of water. (IEC 60529)
-IP69K : exposure to high pressure water of cleaning equipment (DIN 40050)

NOTES :
-1- Plug, backshell and the reducing seal are delivered as a kit. The backshell already includes the standard seal.
-2- Contact to be ordered separately : refer to TRIM TRIO catalog
-3- Colored ring to be orderd separately refer to customer drawing C006-UTSI-A
-4- Insert arrangements: refer to : C008-UTSI-A (Female insulator)
UTO-CONTACT-L-C02 (Female insulator)
UTOW-CONTACT-L-C02 (Female insulator)
C007-UTSI-A (Male insulator)
UTO-CONTACT-L-C01 (Male insulator)
UTOW-CONTACT-L-C01 (Male insulator)

SHELL SIZE	LAYOUT	Ø A ± 0.15	L MINI	B MAX	E MAX		HEXAGON D	CAPACITY C		STATUS
					MALE	FEMALE		STANDARD SEAL	REDUCING SEAL	
10	see nota 4	14.9	70	26.7	31	38	18.5	2.5 / 8	1.5 / 5	AVAILABLE SOON
12		19.00	74	30.15	34	41.5	24	5 / 12	3 / 9	AVAILABLE SOON
14		22.2	78.5	35.1	38	45.5	26	7 / 14	5 / 12	AVAILABLE SOON
18		28.5	89	42	46.5	54	33	09 / 18	7 / 16	TO BE DEVELOPED (CONSULT FACTORY)



CUSTOMER DRAWING



A	21/01/08	New drawing	
ISS	DATE	Latest modification - by:	MOD N°
Designed by: RAGAINEM		Date: 21/01/08	CUSTOMER DRAWING
TITLE		UTS CONNECTOR IN-LINE RECEPTACLE	
Scale	1/1	General linear Tolerances: ±0.1	NPRDS / PROJECT UTSI
		WWW.SOURIAU.COM	This document is the property of SOURIAU. It must not be reproduced or communicated without permission.
FORMAT	A2	SOURIAU DRG N° CO24-UTSI-B	SHEET

NOT EXPORT CONTROLLED