



Chipsmall Limited consists of a professional team with an average of over 10 year of expertise in the distribution of electronic components. Based in Hongkong, we have already established firm and mutual-benefit business relationships with customers from,Europe,America and south Asia,supplying obsolete and hard-to-find components to meet their specific needs.

With the principle of “Quality Parts,Customers Priority,Honest Operation,and Considerate Service”,our business mainly focus on the distribution of electronic components. Line cards we deal with include Microchip,ALPS,ROHM,Xilinx,Pulse,ON,Everlight and Freescale. Main products comprise IC,Modules,Potentiometer,IC Socket,Relay,Connector.Our parts cover such applications as commercial,industrial, and automotives areas.

We are looking forward to setting up business relationship with you and hope to provide you with the best service and solution. Let us make a better world for our industry!



## Contact us

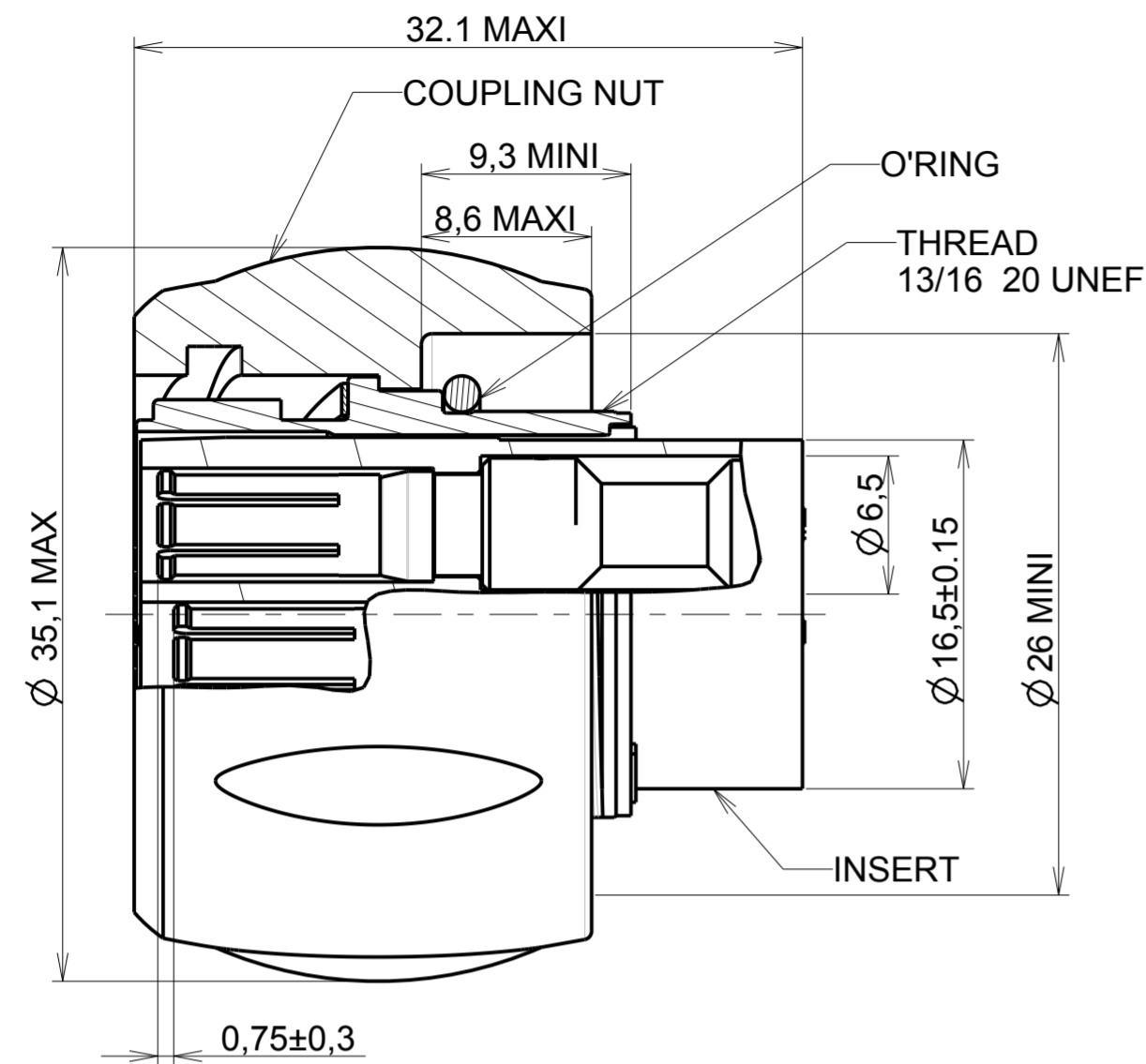
Tel: +86-755-8981 8866 Fax: +86-755-8427 6832

Email & Skype: info@chipsmall.com Web: www.chipsmall.com

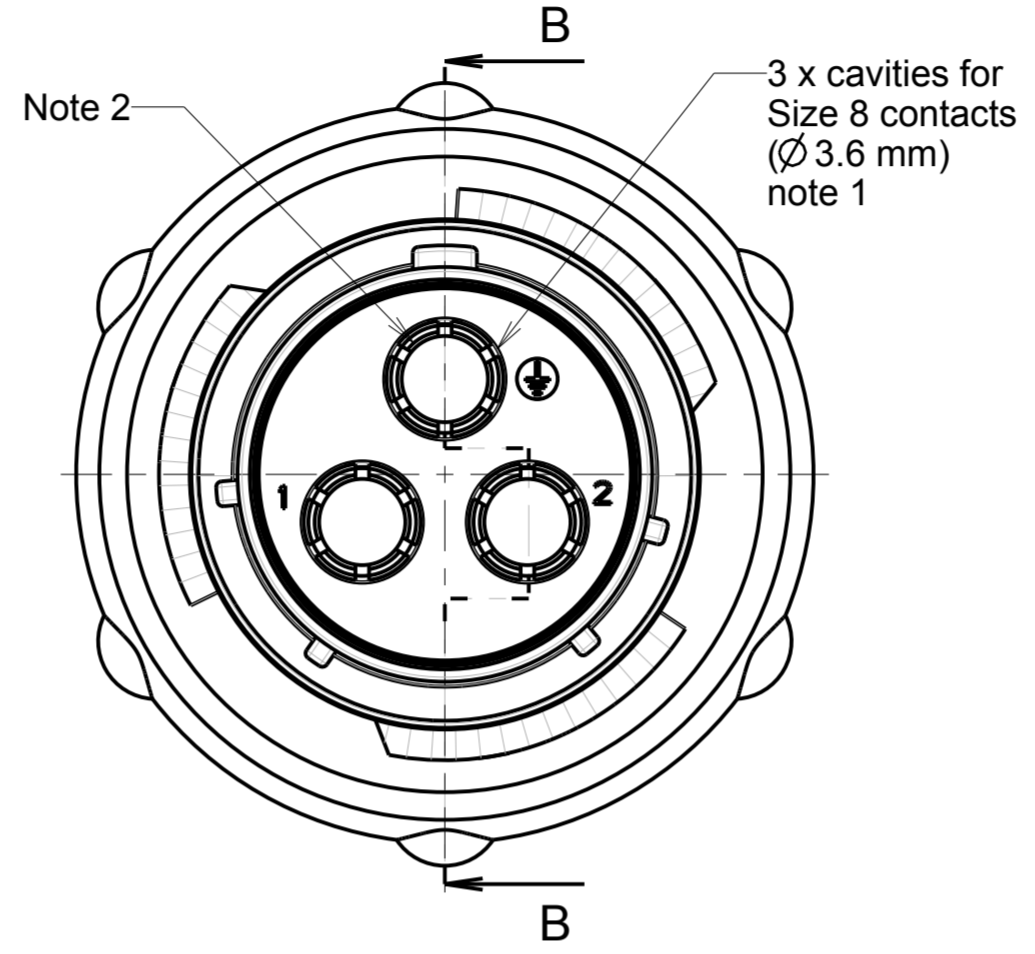
Address: A1208, Overseas Decoration Building, #122 Zhenhua RD., Futian, Shenzhen, China



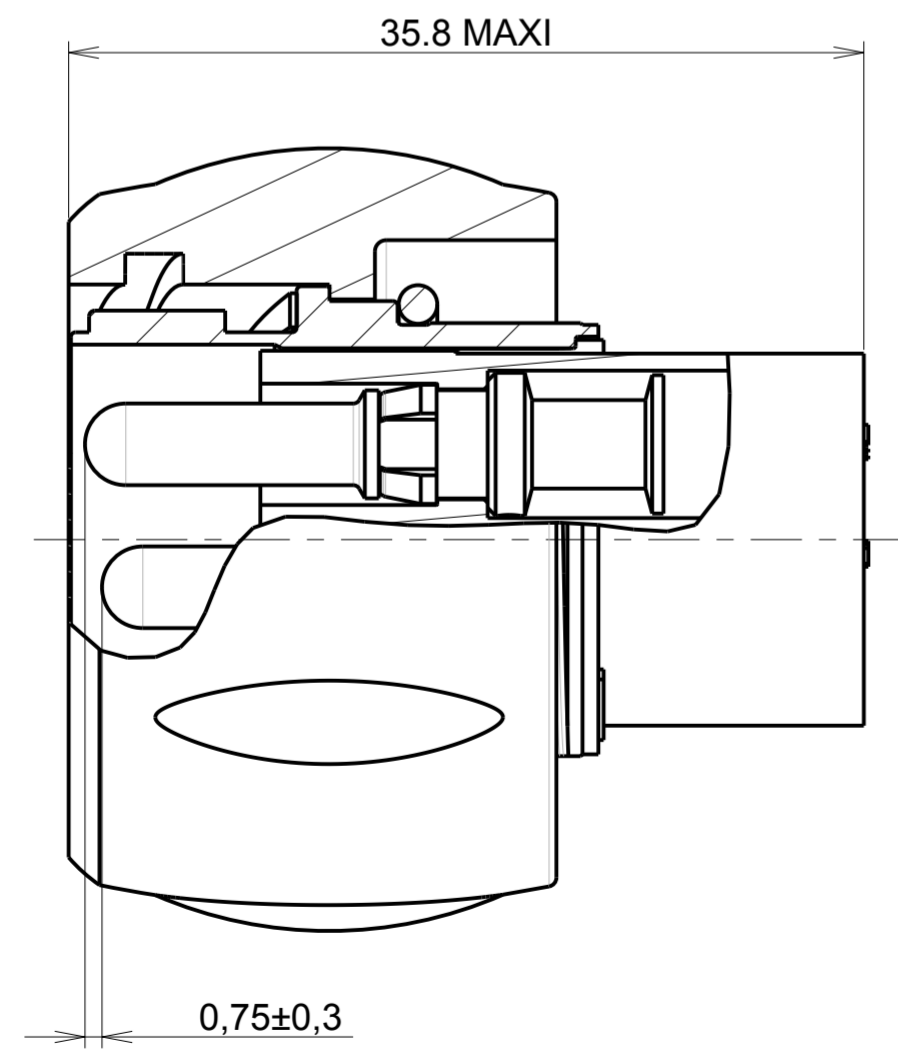
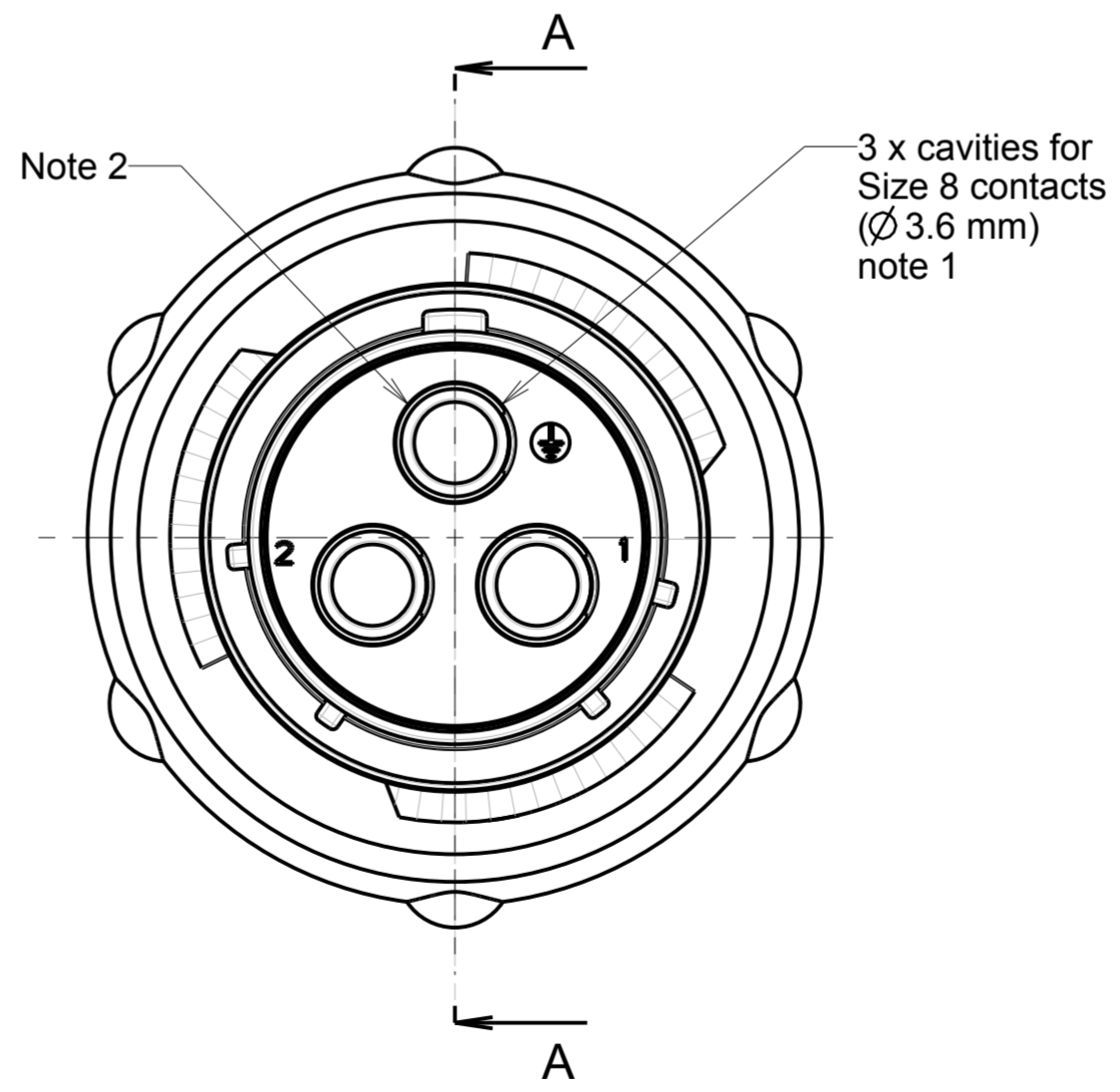
h:1:RL



### MATING FACE FEMALE CONNECTOR



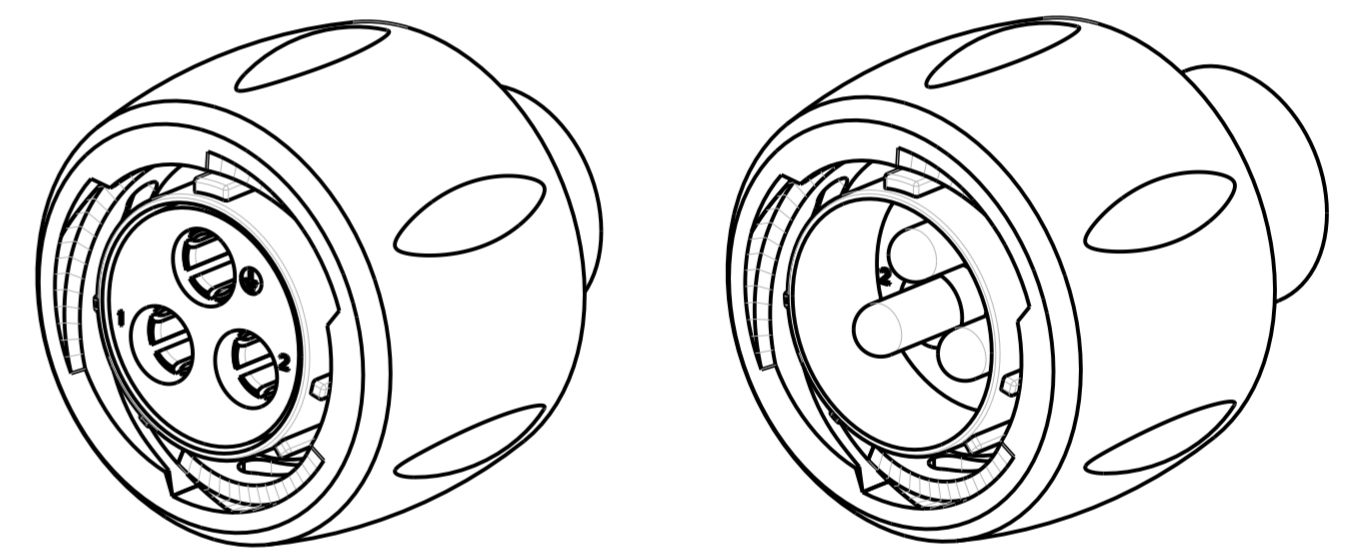
### MATING FACE MALE CONNECTOR



**MATERIAL :**  
 Coupling Nut: Polyamid UL94 V-0  
 Insert: Polyamid UL94 V0  
 Shell : Polyamid UL94 V-0  
 Coupling spring : Carbon steel  
 O'seal : Nitril

**PERFORMANCE CHARACTERISTICS :**  
 Operating temperature: -40°C up to 105°C  
 Insulation resistance: 5000 MΩ min  
 Test potential: 2000 Vrms between pole  
 Corrosion salt spray: 500 hours  
 Durability: 250 matings and unmatings  
 Sealing in mated conditions:  
 -IP68 1 bar during 1 week : immersion under 10 m of water. (IEC 60529)  
 -IP69K : exposure to high pressure water of cleaning equipment (DIN 40050)

**NOTES :**  
 -1-Contact to be ordered separately : refer to UTS SERIES catalog  
 -2-Earth cavity is a First mate last break contact



P/N: Male connector: UTS6142G1P  
 Female connector : UTS6142G1S

## CUSTOMER DRAWING

h	03/10/11	Update drawing		
ISS	DATE	Latest modification - by: J.FEURPRIER		MOD N°
Designed by: ROUILLARD C.		Date: 02/10/07	CUSTOMER DRAWING	
TITLE		CABLE PLUG WITH 3 CONTACTS Ø3.6mm UTS CONNECTOR		
Scale	1/1	General linear Tolerances: ± 0.2	NPRDS / PROJECT IC084601A	
		WWW.SOURIAU.COM		This document is the property of SOURIAU. It must not be reproduced or communicated without permission.
FORMAT	A2	SOURIAU DRG N° C038-UTS1-A		SHEET 1/1

NOT EXPORT CONTROLLED