



Chipsmall Limited consists of a professional team with an average of over 10 year of expertise in the distribution of electronic components. Based in Hongkong, we have already established firm and mutual-benefit business relationships with customers from,Europe,America and south Asia,supplying obsolete and hard-to-find components to meet their specific needs.

With the principle of “Quality Parts,Customers Priority,Honest Operation,and Considerate Service”,our business mainly focus on the distribution of electronic components. Line cards we deal with include Microchip,ALPS,ROHM,Xilinx,Pulse,ON,Everlight and Freescale. Main products comprise IC,Modules,Potentiometer,IC Socket,Relay,Connector.Our parts cover such applications as commercial,industrial, and automotives areas.

We are looking forward to setting up business relationship with you and hope to provide you with the best service and solution. Let us make a better world for our industry!



## Contact us

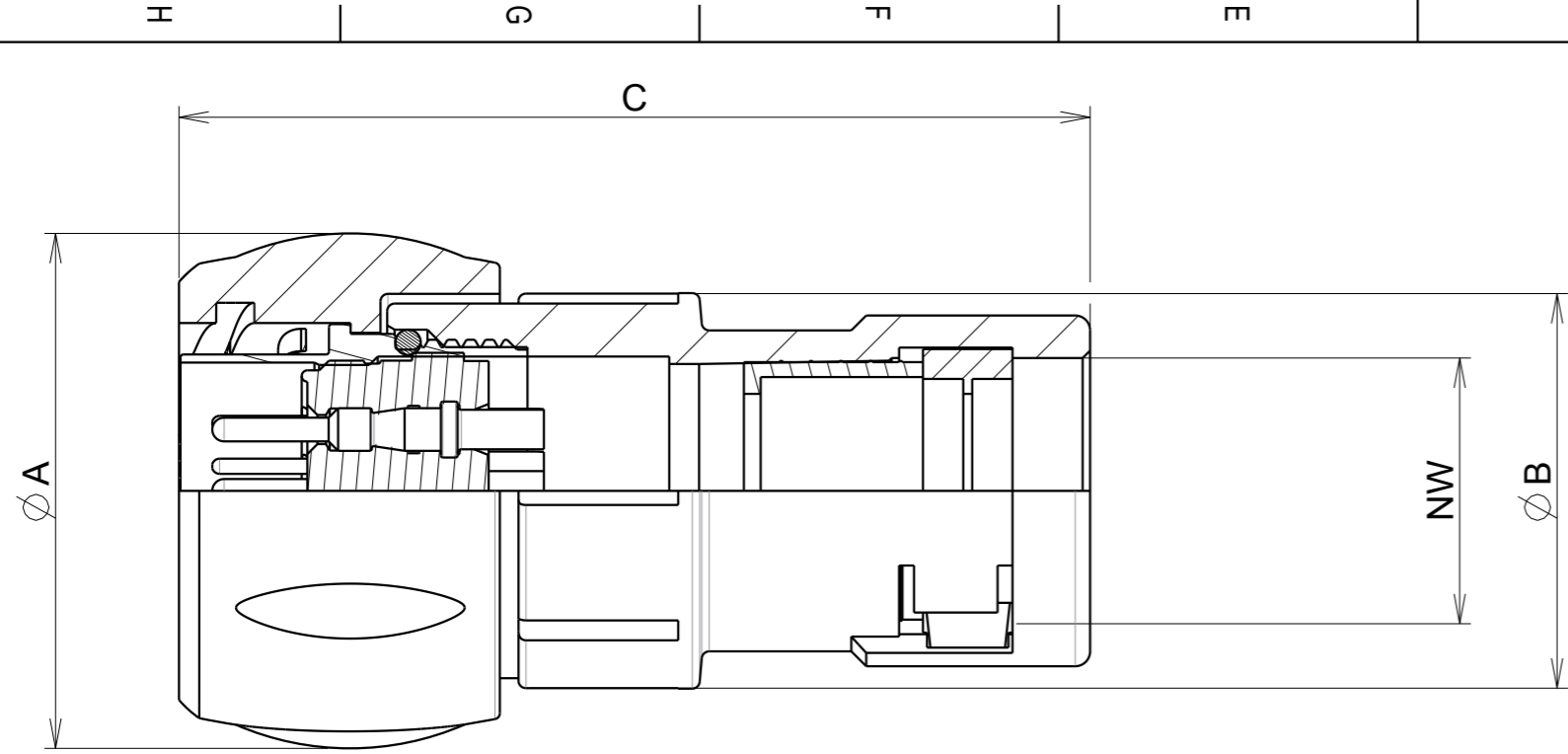
Tel: +86-755-8981 8866 Fax: +86-755-8427 6832

Email & Skype: info@chipsmall.com Web: www.chipsmall.com

Address: A1208, Overseas Decoration Building, #122 Zhenhua RD., Futian, Shenzhen, China

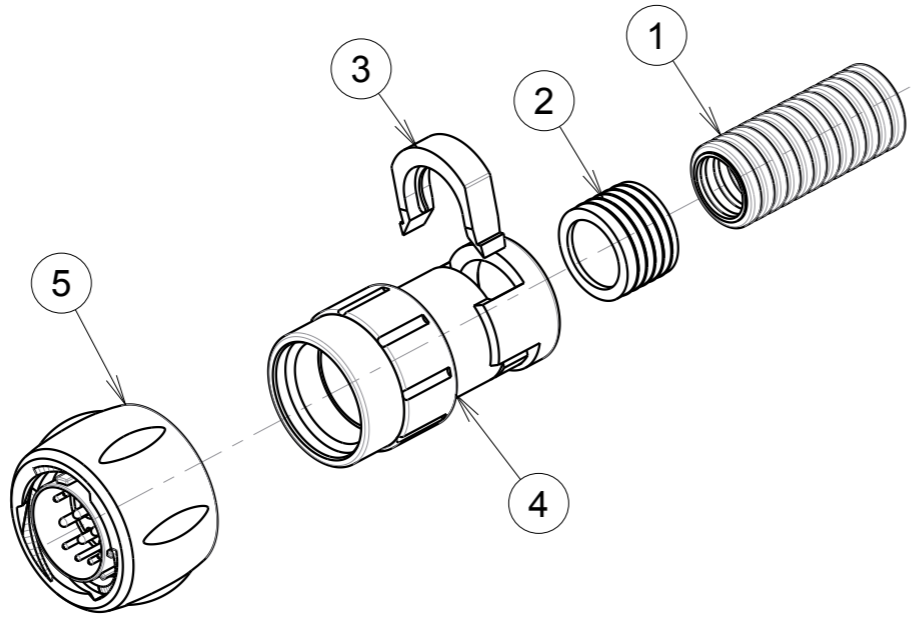


C.2: Validé



ASSEMBLED VIEW

P/N	CONNECTOR SIZE	FLEX SIZE CONDUIT (see note 4)	∅ A Maxi	∅ B ± 0.3	C ± 0.6
UTS6FC12EXXP/S	12	NW12	30.1	24	61
UTS6FC14EXXP/S	14	NW12	35.1	26.5	61

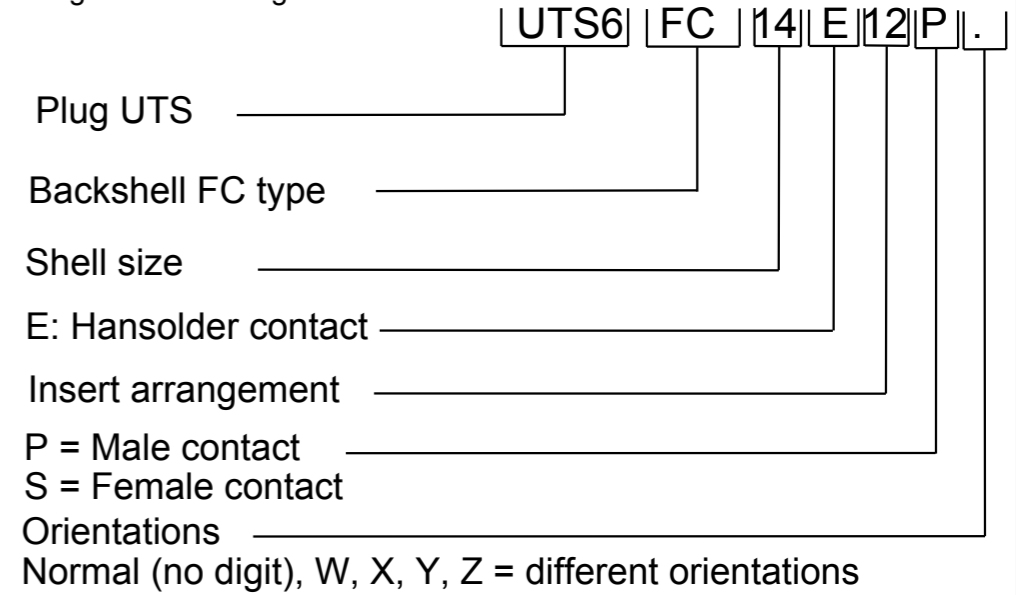


SOURIAU shall not be liable for any non-conformity or damage due to a use of the Products which does not comply with the Specifications issued by either of the Parties or by a third party (professional recommendation, technical notice.)

**MATERIAL :**  
 ① Flexible conduit  
 ② Seal : Elastomer  
 ③ Retaining clip : Polyamid  
 ④ Backshell body : Polyamid  
 ⑤ Coupling Nut : Polyamid  
 Insert : Polychloroprene  
 Shell : Polyamid  
 Coupling spring : Stainless steel  
 O'seal : Nbr  
 Contact : brass + gold plated

**NOTES :**  
 -1-Insert arrangements refer to BT297 see drawing for information : C144-UTS1-A  
 -2-Delivered as a kit in a plastic bag (individual): with parts 2, 3, 4 and 5  
 -3-Flexible conduit not sold by SOURIAU  
 -4-Recommended flexible conduit range: PMAFLEX  
 -5-For assembly instruction, see BT297

**PERFORMANCE CHARACTERISTICS :**  
 Operating temperature: -40° C up to 105° C  
 Corrosion salt spray: 500 hours  
 Sealing in assembly conditions: (with an UTS connector)  
 -IP68 compliant ; 1 bars/30 min  
 -IP69K as per DIN40050  
 Insulation resistance: 5000 M min  
 Test potential : 2000Vrms for #16 layout and 1500Vrms for #20 layout  
 Durability: 250 matings and unmatings



Country	Jurisdiction & Control List
FR	NOT LISTED

P/N : UTS6FC\*\*E\*\*P/S

C	29/11/2017	Update notes	22523D
ISS	DATE	Latest modification - by: COURTOIS L.	MOD N°
Designed by: J. FEURPRIER		Date: 02/04/2017	<b>CUSTOMER DRAWING</b>
<b>TITLE</b>		ASSEMBLY BACKSHELL AND UTS PLUG CONNECTOR UTS HI SEAL CONNECTOR	
Scale	1/2	General linear Tolerances: ± 0.2	<b>NPRDS / PROJECT IC124509A</b>
<b>SOURIAU</b>		<b>WWW.SOURIAU.COM</b>	
This document is the property of SOURIAU It must not be reproduced or communicated without permission			
FORMAT	<b>SOURIAU DRG N° C216-UTS1-A</b>		SHEET 1 / 1