



Chipsmall Limited consists of a professional team with an average of over 10 year of expertise in the distribution of electronic components. Based in Hongkong, we have already established firm and mutual-benefit business relationships with customers from,Europe,America and south Asia,supplying obsolete and hard-to-find components to meet their specific needs.

With the principle of “Quality Parts,Customers Priority,Honest Operation,and Considerate Service”,our business mainly focus on the distribution of electronic components. Line cards we deal with include Microchip,ALPS,ROHM,Xilinx,Pulse,ON,Everlight and Freescale. Main products comprise IC,Modules,Potentiometer,IC Socket,Relay,Connector.Our parts cover such applications as commercial,industrial, and automotives areas.

We are looking forward to setting up business relationship with you and hope to provide you with the best service and solution. Let us make a better world for our industry!



Contact us

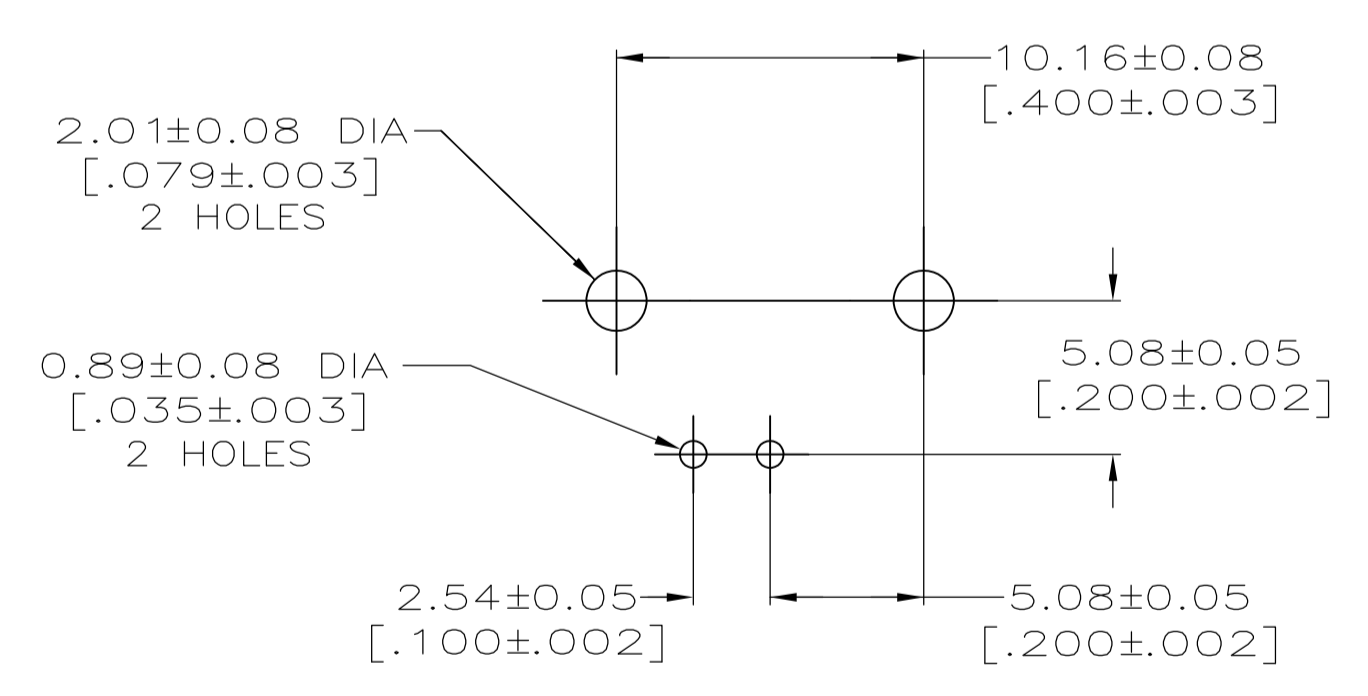
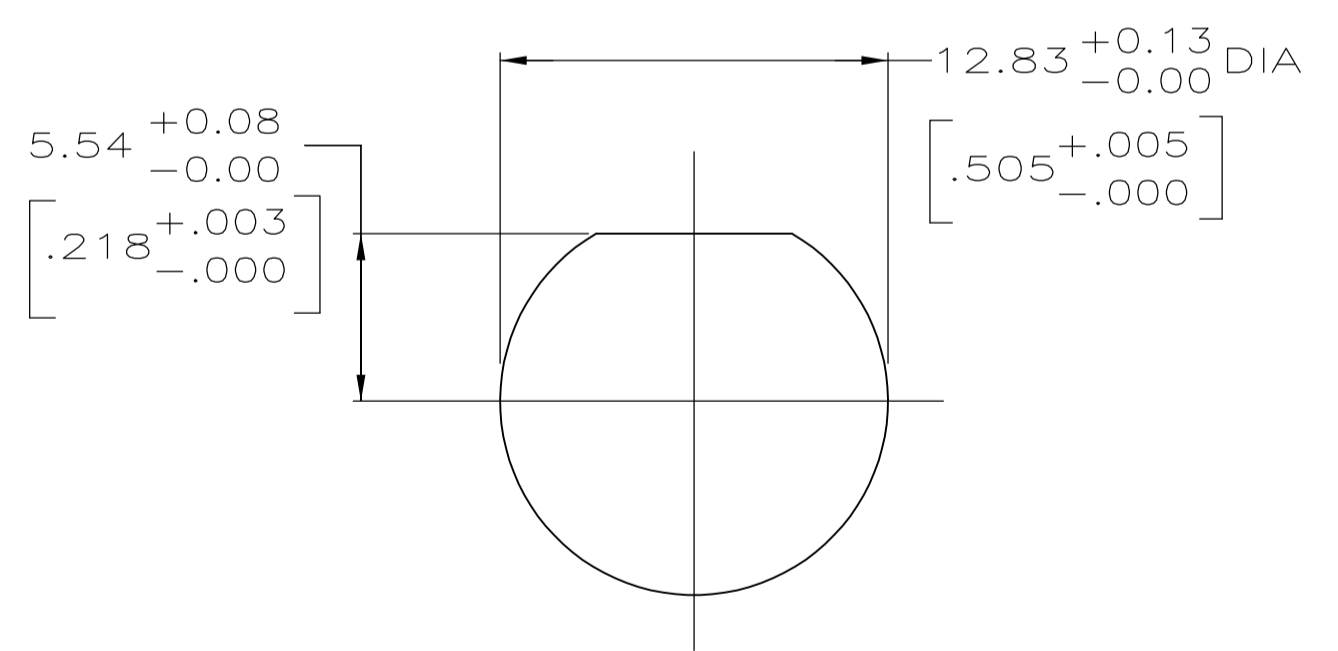
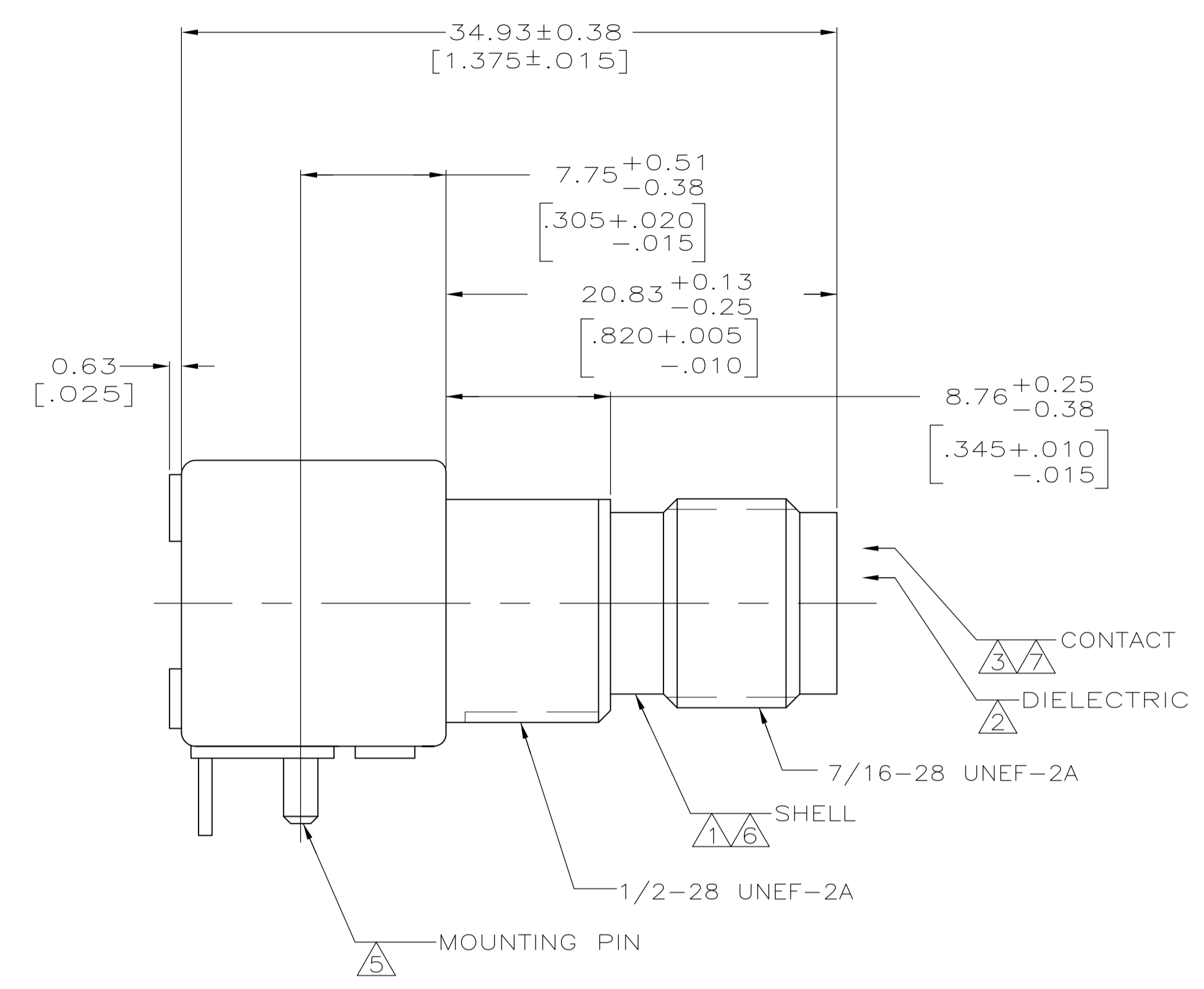
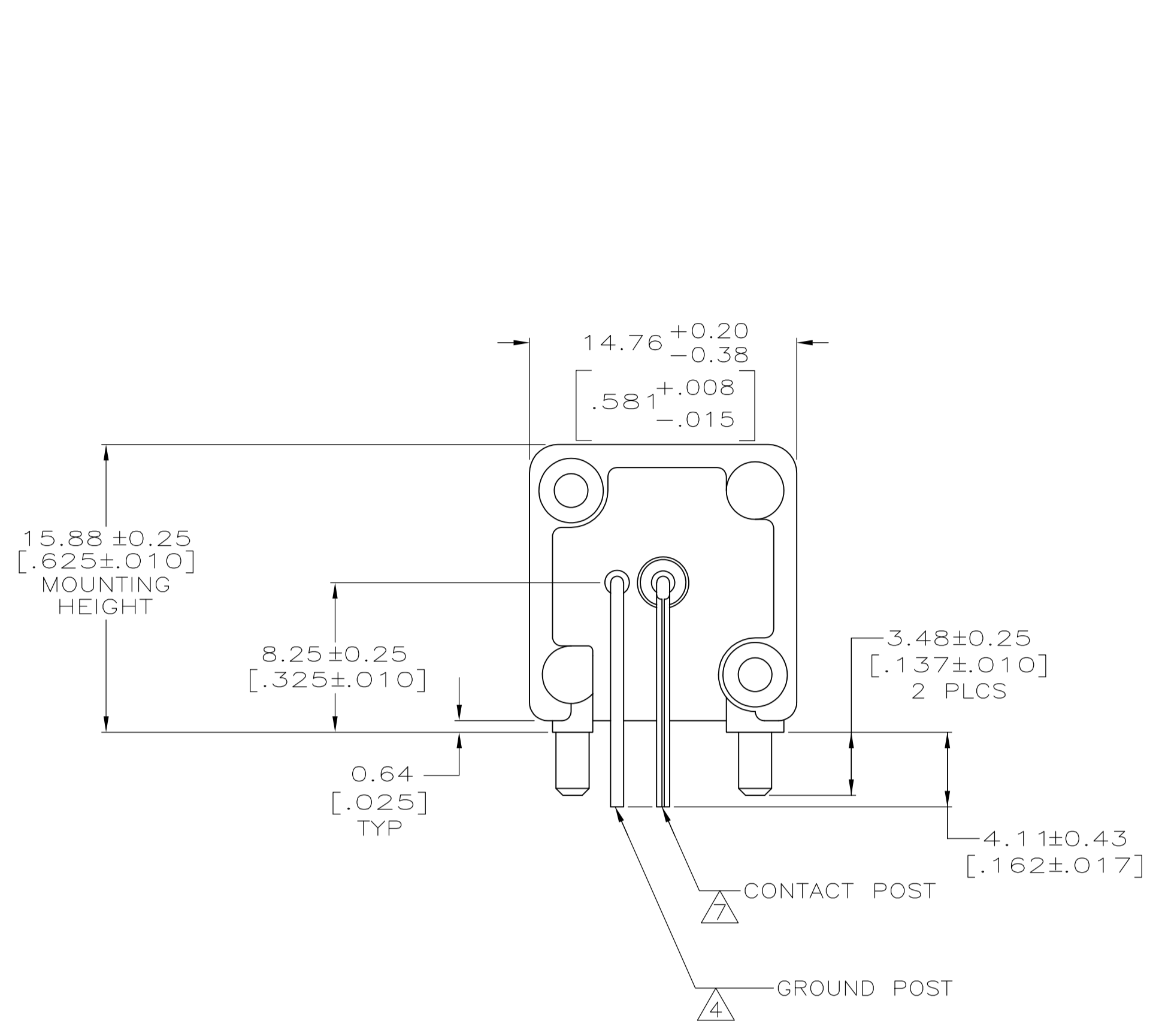
Tel: +86-755-8981 8866 Fax: +86-755-8427 6832

Email & Skype: info@chipsmall.com Web: www.chipsmall.com

Address: A1208, Overseas Decoration Building, #122 Zhenhua RD., Futian, Shenzhen, China



LOC	DIST	REVISIONS			
AJ	16	REVISED PER	ECO-11-005030	DATE	11MAR11
				BY	RK
				APPROVED	HMR



- ① ZINC PER QQ-Z-363.
- ② POLYMETHYLPENTENE, GENERAL PURPOSE.
- ③ PHOSPHOR BRONZE PER QQ-B-750.
- ④ BRASS PER ASTM-B-453.
- ⑤ BRASS PER ASTM-B-16.
- ⑥ NICKEL PLATE PER QQ-N-290, 3.81 μm [.000150] MINIMUM THICK.
- ⑦ GOLD PLATE PER MIL-G-45204, 0.76 μm [.000030] MINIMUM THICK.

5227839-1
PART NUMBER

THIS DRAWING IS A CONTROLLED DOCUMENT.		DIN	L. VARELA - DOCKS	21APR2005	TE Connectivity
DIMENSIONS: mm [INCHES]		CHK	J. HAVENER	21APR2005	
TOLERANCES UNLESS OTHERWISE SPECIFIED:		APVD	J. LIPPERT	21APR2005	NAME
0 PLC	± -	PRODUCT SPEC			JACK, RIGHT ANGLE, 50 OHM, PCB, TNC
1 PLC	± -	APPLICATION SPEC			SIZE
2 PLC	± 0.20 [.008]	WEIGHT			A1 00779
3 PLC	± -	CUSTOMER DRAWING			SCALE 4:1
4 PLC	± -	SHEET 1 OF 1			REV A1
ANGLES	± -	RESTRICTED TO			
MATERIAL SEE NOTES 1-4	FINISH SEE NOTES 5-7				