



Chipsmall Limited consists of a professional team with an average of over 10 year of expertise in the distribution of electronic components. Based in Hongkong, we have already established firm and mutual-benefit business relationships with customers from,Europe,America and south Asia,supplying obsolete and hard-to-find components to meet their specific needs.

With the principle of “Quality Parts,Customers Priority,Honest Operation,and Considerate Service”,our business mainly focus on the distribution of electronic components. Line cards we deal with include Microchip,ALPS,ROHM,Xilinx,Pulse,ON,Everlight and Freescale. Main products comprise IC,Modules,Potentiometer,IC Socket,Relay,Connector.Our parts cover such applications as commercial,industrial, and automotives areas.

We are looking forward to setting up business relationship with you and hope to provide you with the best service and solution. Let us make a better world for our industry!



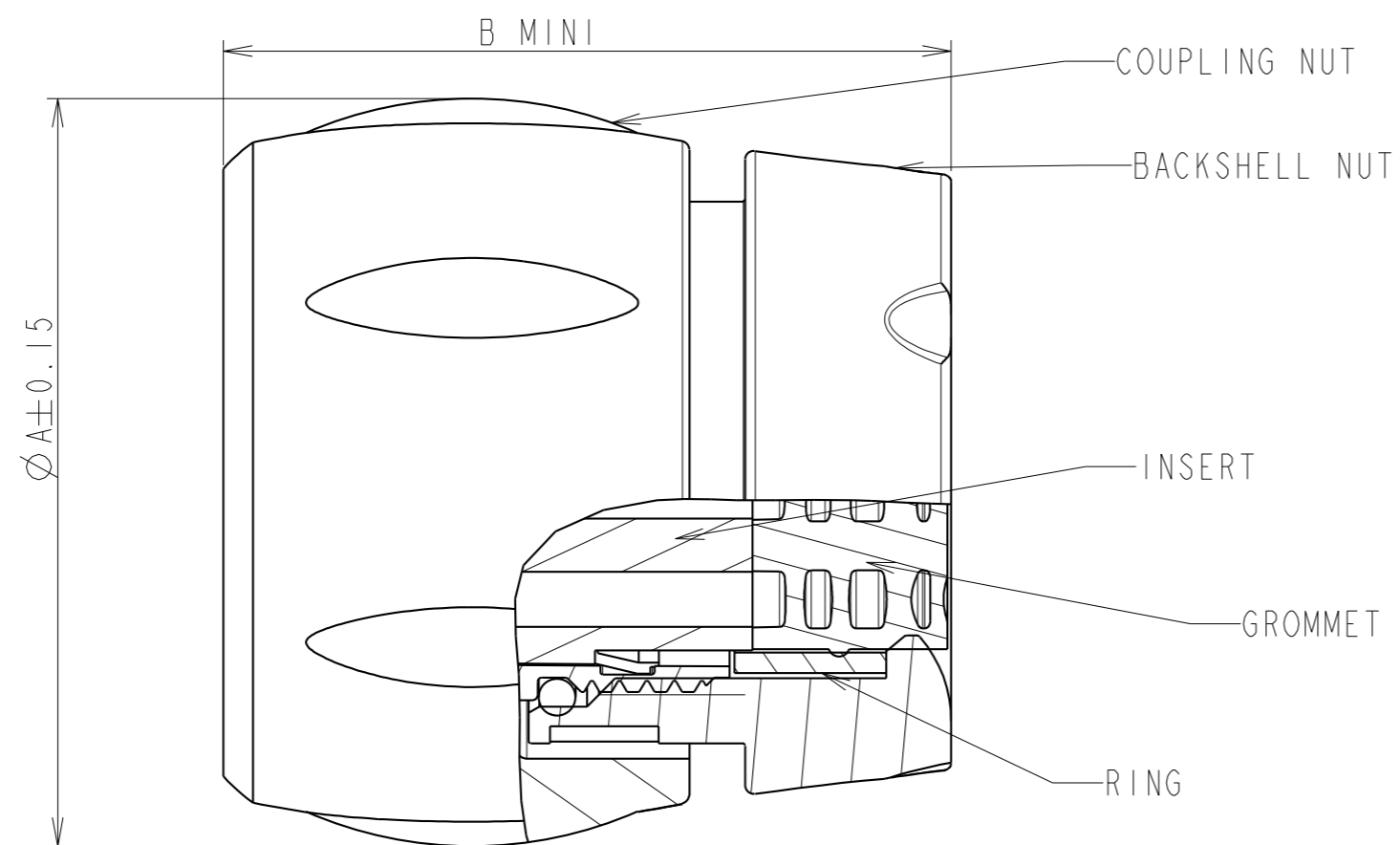
## Contact us

Tel: +86-755-8981 8866 Fax: +86-755-8427 6832

Email & Skype: info@chipsmall.com Web: www.chipsmall.com

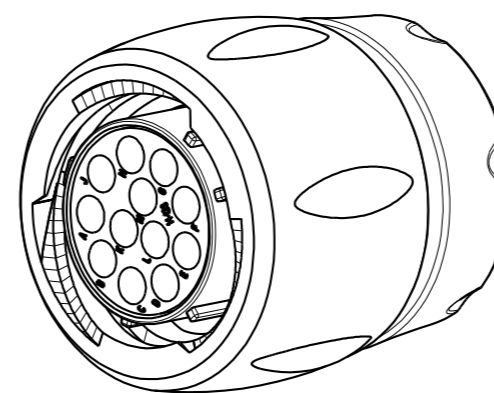
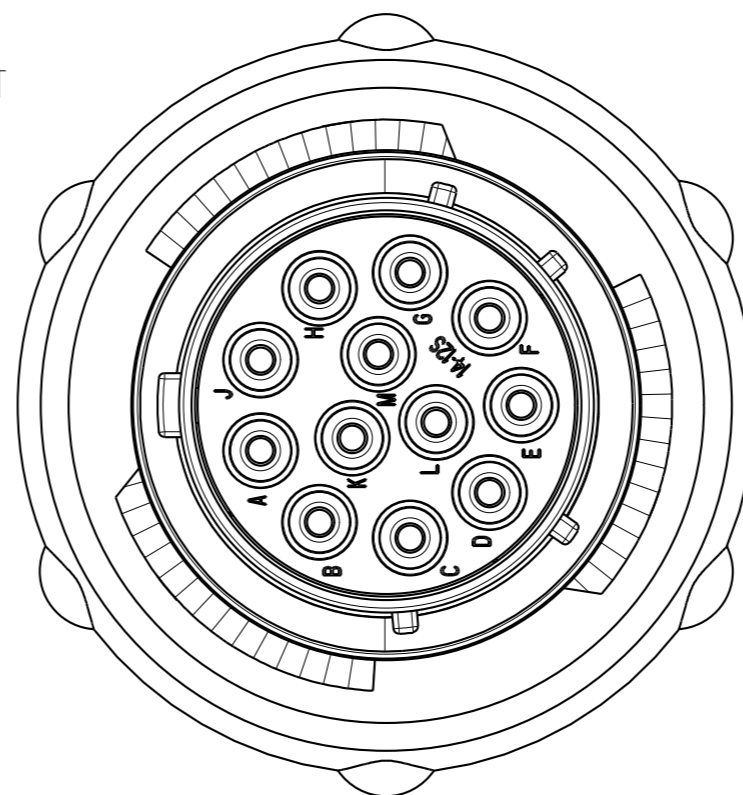
Address: A1208, Overseas Decoration Building, #122 Zhenhua RD., Futian, Shenzhen, China





COUPE B-B  
EHELLE 3/1

MATING FACE



**MATERIAL :**

Coupling Nut: Polyamid UL94 V-0  
 Inset: Polyamid UL94 V0  
 Backshell body : Polyamid UL94 V-0  
 Backshell nut: Polyamid UL94 V-0  
 Shell : Polyamid UL94 V-0  
 Coupling spring : Stainless steel  
 O'seal : Nitril

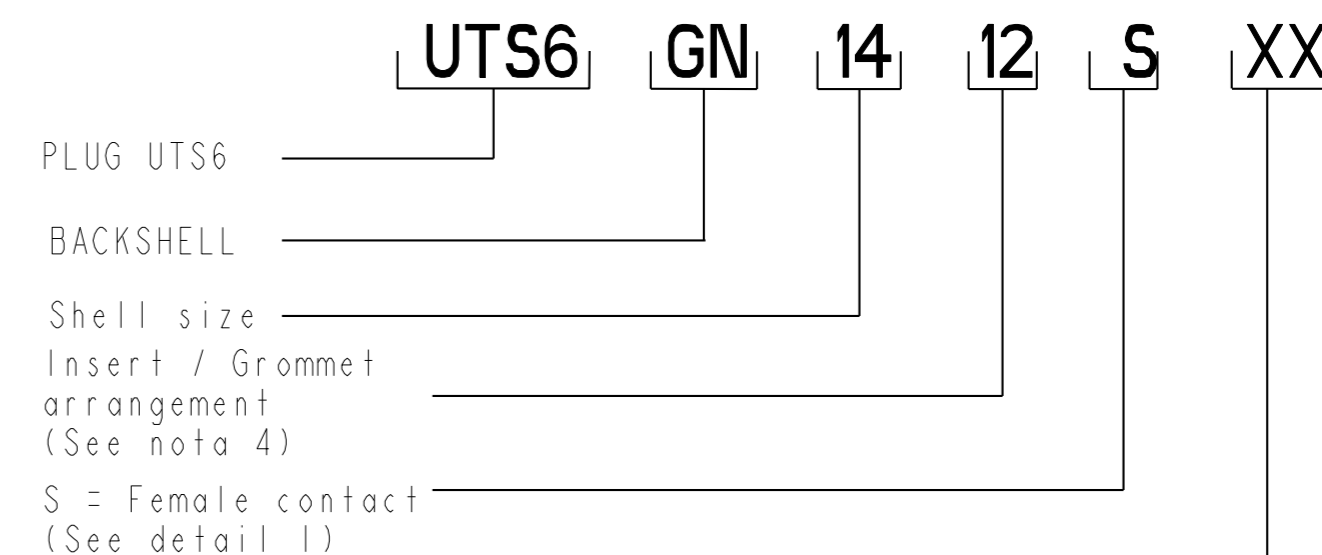
**PERFORMANCE CHARACTERISTICS :**

Operating temperature: -40°C up to 105°C  
 Insulation resistance: 5000 MΩmin  
 Test potential: 2000 Vrms for #16 layout and 1500Vrms for #20 layout  
 Corrosion salt spray: 500 hours  
 Durability: 250 matings and unmatings  
 Sealing in mated conditions:  
 -IP68 1 bar during 1 week : immersion under 10 m of water.  
 (IEC 60529)  
 -IP69K : exposure to high pressure water of cleaning  
 equipment(DIN 40050)

**NOTES :**

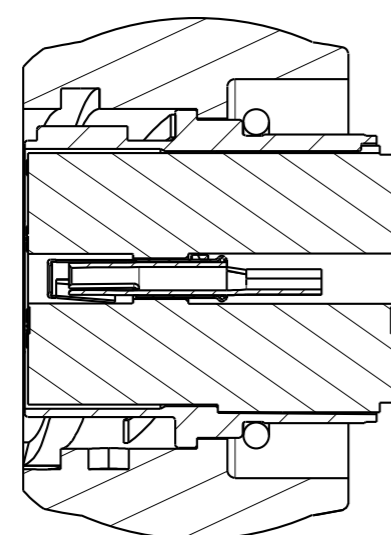
- 1- Plug, backshell and the reducing seal are delivered as a kit. The backshell already includes the standard seal.
- 2- Contact to be ordered separately : refer to TRIM TR10 catalog
- 3- Colored ring to be ordered separately refer to customer drawing C006-UTSI-A
- 4- developed Grommet arrangements : refer to C042-UTSI-A
- 5- for wiring instructions, refer to BT214

SHELL SIZE	LAYOUT	∅A	B MINI
14	SEE NOTA 4	34.60	32
12	SEE NOTA 4	29.70	32.3
10	SEE NOTA 4	26.20	32.5

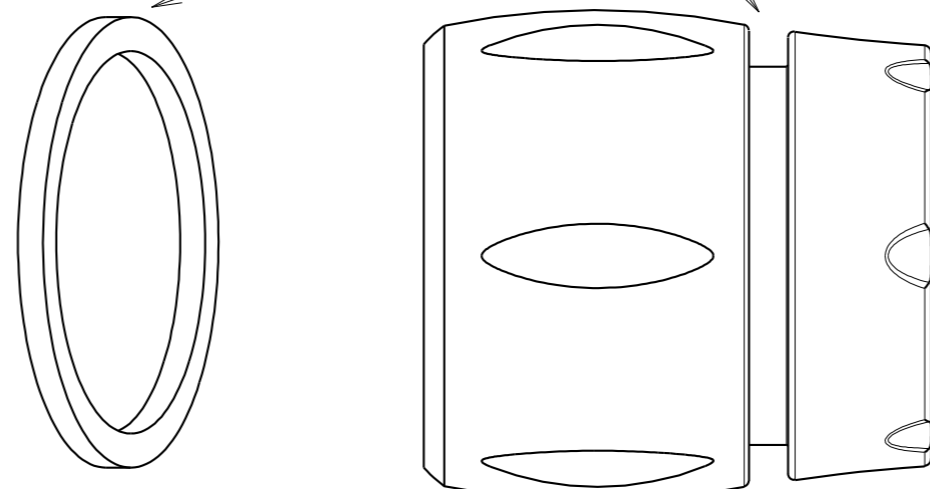


Specification \_\_\_\_\_

**FEMALE CONNECTOR**  
(detail 1)



COLORED RING  
(see nota 3)



CUSTOMER DRAWING

c	05/02/08	--	Add shell size 14 and 12	--
ISS	DATE	Latest modification - by: RAGAINÉ M.		MOD N°
Designed by: <b>RAGAINÉ M.</b>		Date: 07/06/07		CUSTOMER DRAWING
TITLE		CABLE PLUG + BACKSHELL NUT UTS CONNECTOR		
Scale	2/1	General linear Tolerances: ±0.1	NPRDS / PROJECT <b>UTSI</b>	
		WWW.SOURIAU.COM		This document is the property of SOURIAU. It must not be reproduced or communicated without permission.
FORMAT	A2	SOURIAU DRG N° CO28-UTSI-A		SHEET
				<b>NOT EXPORT CONTROLLED</b>