



Chipsmall Limited consists of a professional team with an average of over 10 year of expertise in the distribution of electronic components. Based in Hongkong, we have already established firm and mutual-benefit business relationships with customers from,Europe,America and south Asia,supplying obsolete and hard-to-find components to meet their specific needs.

With the principle of “Quality Parts,Customers Priority,Honest Operation,and Considerate Service”,our business mainly focus on the distribution of electronic components. Line cards we deal with include Microchip,ALPS,ROHM,Xilinx,Pulse,ON,Everlight and Freescale. Main products comprise IC,Modules,Potentiometer,IC Socket,Relay,Connector.Our parts cover such applications as commercial,industrial, and automotives areas.

We are looking forward to setting up business relationship with you and hope to provide you with the best service and solution. Let us make a better world for our industry!



Contact us

Tel: +86-755-8981 8866 Fax: +86-755-8427 6832

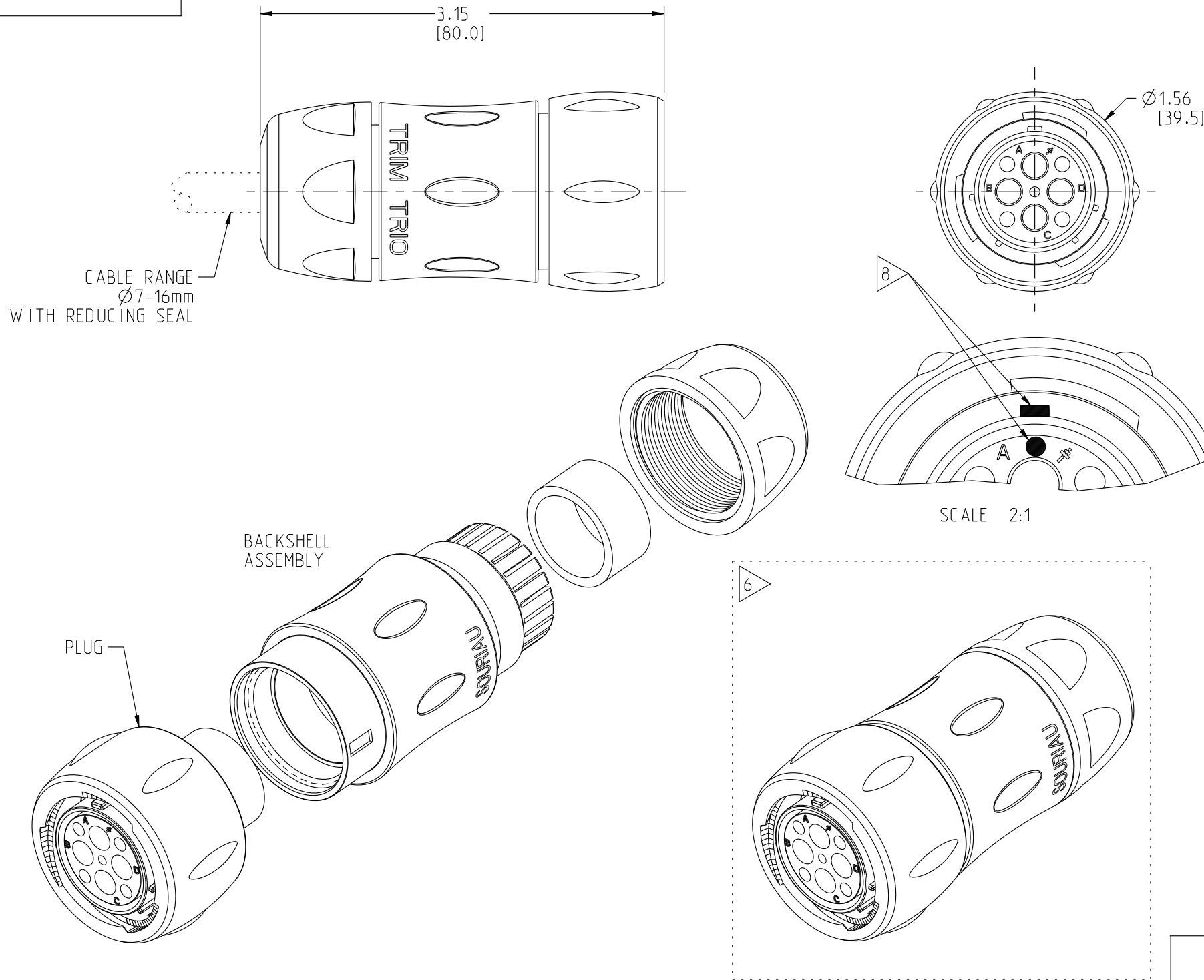
Email & Skype: info@chipsmall.com Web: www.chipsmall.com

Address: A1208, Overseas Decoration Building, #122 Zhenhua RD., Futian, Shenzhen, China



DWG. NO.
S99696

THIS DRAWING IS A CONTROLLED DOCUMENT FOR SOURIAU USA, INC. IT IS SUBJECT TO CHANGE WITHOUT NOTIFICATION. CONTACT THE DOCUMENT CONTROL CENTER FOR THE LATEST REVISION.



NOTES:

1. MATES WITH UTS7183G1P___
2. USES 1-TO-4 EA. SIZE-8, 3.6mm SOCKETS (CONTACTS ORDERED SEPARATELY)
CONTACT TYPE: REFER TO SOURIAU BSD202333001
3. MATERIALS
3.1 PLUG: COUPLING & INSULATOR: POLYAMIDE UL94V0, COLOR-BLACK
3.2 ALL MATERIALS ARE RoHS COMPLIANT.
4. MECHANICAL PERFORMANCE.
4.1 OPERATING TEMPERATURE: -40 TO 105° C
4.2 CORROSION: SALT SPRAY, 500 HOUR
4.3 DURABILITY: 250 MATE-UNMATE CYCLES
4.4 SEALING IN MATED CONDITION: IEC 60529-IP68: 10M WATER, 1-WEEK;
-IP69K: HIGH-PRESSURE WATER, DIN 40050
5. ELECTRICAL PERFORMANCE
5.1 DIELECTRIC WITHSTANDING VOLTAGE / INSULATION RESISTANCE
2200 VRMS MAX. BETWEEN CIRCUITS / 5000 MOhm MIN. @ 500 VDC
5.2 OPERATING VOLTAGE: 600 VAC MAX.
5.3 CIRCUIT USE:
B,C,D: 44 AMP AC MAX;
A: GROUND: FIRST MATE LAST BREAK
6. PACKAGING: LABEL INCLUDES SOURIAU P/N & QTY.
7. UL 1977 RECOGNIZED.
8. KEY ORIENTATION MARKING, COLOR WHITE.
9. UNITED STATES PATENT 7,955,125

THE INFORMATION CONTAINED IN THIS DRAWING IS CONFIDENTIAL AND MAY NOT BE DISCLOSED WITHOUT WRITTEN CONSENT FROM SOURIAU USA, INC.

C	REVISED PER ECN 11550	NPP 11-03-11	NPP 11-03-11
B	REVISED PER ECN 11503	RSK 09-08-11	NPP 09-08-11
A	RELEASED PER ECN 11468	SCP 07-18-11	NPP 07-18-11
REV	DESCRIPTION	BY DATE	CHKD DATE

DRAWING TITLE			
UTS CABLE PLUG, SIZE-18, 4X SIZE-8 SOCKET			
CAT NO.		UTS6JC183G1S	
CAGE NO: 09922	SIZE: B	APPROVAL	DRAWN: SCP 07-06-11
CUSTOMER		CHKD : NPP 07-06-11	DRAWING SCALE: 3:2
		DSGN : NPP 07-06-11	DRAWING NO. REV
INTERPRET THIS DRAWING IN ACCORDANCE WITH ASME Y14.5M - 1994.		MFG : DH 07-06-11	S99696 C
		QC : BB 07-06-11	1 OF 1
www.souriau.com			

Client Drawing Approval		
X	Option	Authorized Signature & Date
	Approved with no Exceptions	
	Approved with Exceptions Noted	
	Revision/Resubmission Required	Company Name
	Rejected	
The signature above indicates the client's authorized representative has reviewed, understands, and concurs with the requirements defined herein. If no signature is provided, placement of a purchase order by the client is considered drawing acceptance.		

LINEAR MEASURE:	
THIRD ANGLE PROJECTION	
TOLERANCES UNLESS OTHERWISE SPECIFIED	
No. OF PLACES	INCH [mm]
ONE PLACE	±.1 [±3]
TWO PLACES	±0.02 [±.5]
THREE PLACES	±0.010 [±.25]
ANGLES ±1°	

B

A