



Chipsmall Limited consists of a professional team with an average of over 10 year of expertise in the distribution of electronic components. Based in Hongkong, we have already established firm and mutual-benefit business relationships with customers from,Europe,America and south Asia,supplying obsolete and hard-to-find components to meet their specific needs.

With the principle of "Quality Parts,Customers Priority,Honest Operation,and Considerate Service",our business mainly focus on the distribution of electronic components. Line cards we deal with include Microchip,ALPS,ROHM,Xilinx,Pulse,ON,Everlight and Freescale. Main products comprise IC,Modules,Potentiometer,IC Socket,Relay,Connector.Our parts cover such applications as commercial,industrial, and automotives areas.

We are looking forward to setting up business relationship with you and hope to provide you with the best service and solution. Let us make a better world for our industry!



Contact us

Tel: +86-755-8981 8866 Fax: +86-755-8427 6832

Email & Skype: info@chipsmall.com Web: www.chipsmall.com

Address: A1208, Overseas Decoration Building, #122 Zhenhua RD., Futian, Shenzhen, China



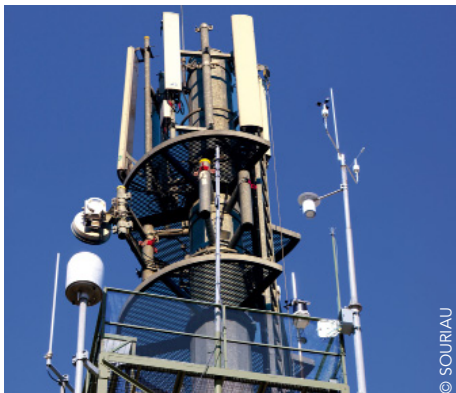


UTS MPO Multiways Fiber Optic Connector

Easy ruggedization of standard MPO optical connector
in a UTS connector shell

- Quick Locking** ■ Ergonomic 1/3-turn locking
Audible click
- Secure Mating** ■ Protected MPO contact
Robust shell material
High strength cable retention system
- Optical Contact Multi-Sourcing** ■ Designed from all MPO standard connectors
from 12 to 48 optical ways
- Outdoor Use** ■ Waterproof IP67/IP68
Resistance to shock and vibration
- Long Life Warranty** ■ UV-resistant
Corrosion free

Typical Applications



Fiber to the Antenna



Fiber to the Home



Security Cameras



Automation



Signalling

UTS MPO Series

Technical features

Mechanical

- Housing and backshell: thermoplastic UL94-V0
- insert: thermoplastic UL94-V0
- Optical contacts: depends on LC customer choice
- Durability per IEC 61300-2-2: 500 mating/unmating
- Vibration per IEC 61300-2-1: Sinusoidal vibration, 5Hz to 500Hz, 3.5mm amplitude, 9.8m/s² above 9Hz
- Change of temperature per IEC 61300-2-22: 12 cycles 1hour, from -40°C to +85°C

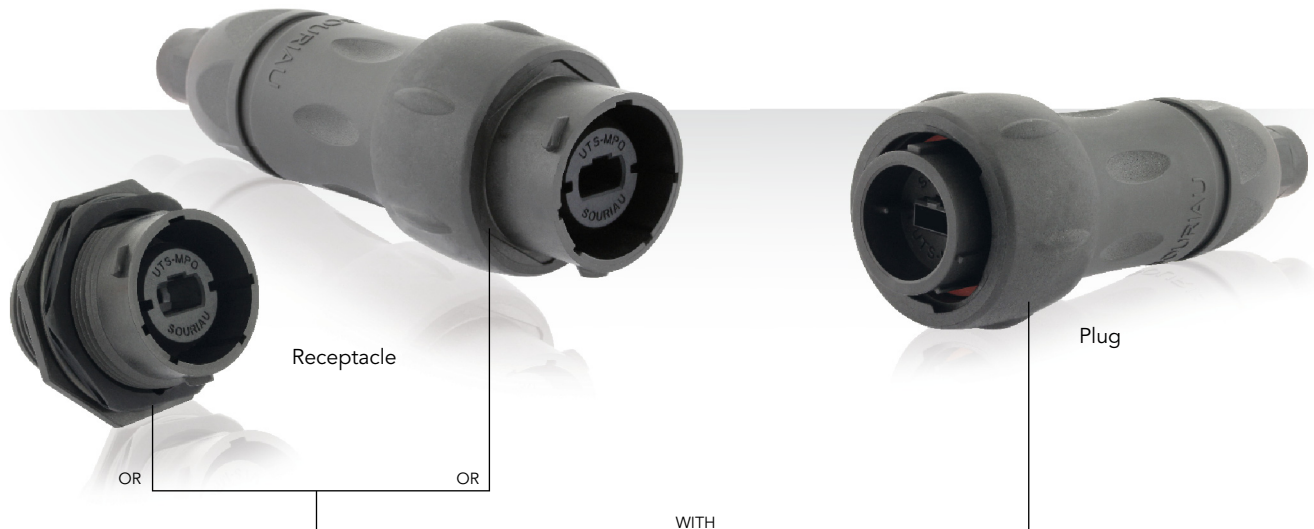
Environmental

- Temperature range: from -40°C to +105°C
- Salt mist per IEC 61300-2-26: 96hours
- Sealing (mated) per IEC 60529: Dynamic IP68 under water for 1week, 1bar
- UV resistance: no mechanical degradation or significant variation of colour after 5 years of exposure in natural environment (equivalent exposure to sun and moisture as per ISO4892)
- RoHS compliant and conforms, to the Chinese standard SJ/T1166-2006 (Chinese RoHS equivalent)

Optical*

- Exceeds performance Standard IEC 61753-1 Cat. E (extreme environment)
- Multimode contact: Insertion losses < 0.10dB over 97% of the samples Return losses > 30dB minimum
- Singlemode contact: Insertion losses < 0.25dB over 97% of the samples Return losses > 45dB minimum.

*depends on MPO contact customer choice



Connector Part Numbers

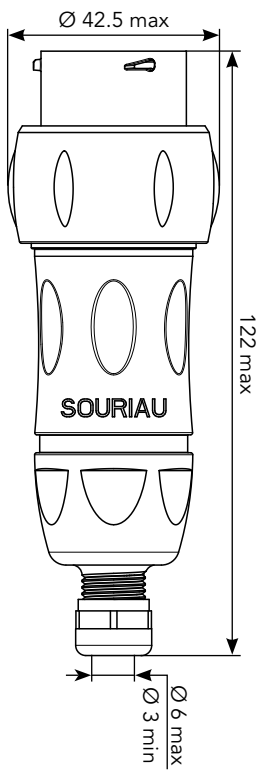
| Connector type | Backshell | Part number | |
|-------------------------|-------------|--------------------|--------------------|
| | | Male insert | Female insert |
| Free hanging receptacle | Cable gland | UTS1JC18MPN | - |
| Plug | Cable gland | - | UTS6JC18MPN |
| Jam nut receptacle | Without | UTS718MPN | - |

Accessories

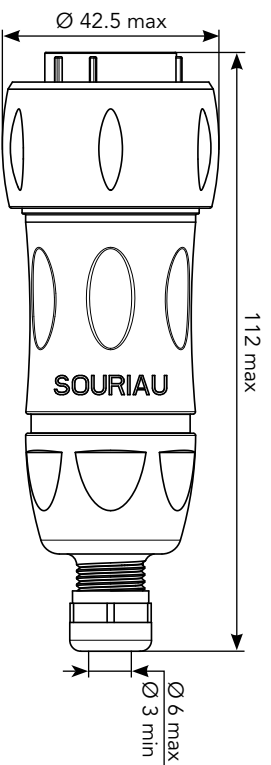
| Sealing Caps | | | | | |
|--|-------------|-------------------|--|-------------|------------------|
| <p>For UTS6JC18MPN</p>  <table border="1"> <tr> <td>Part number</td> </tr> <tr> <td>UTS618DCG2</td> </tr> </table> | Part number | UTS618DCG2 | <p>For UTS1JC18MPN & UTS718MPN</p>  <table border="1"> <tr> <td>Part number</td> </tr> <tr> <td>UTS18DCG2</td> </tr> </table> | Part number | UTS18DCG2 |
| Part number | | | | | |
| UTS618DCG2 | | | | | |
| Part number | | | | | |
| UTS18DCG2 | | | | | |

Dimensions (mm)

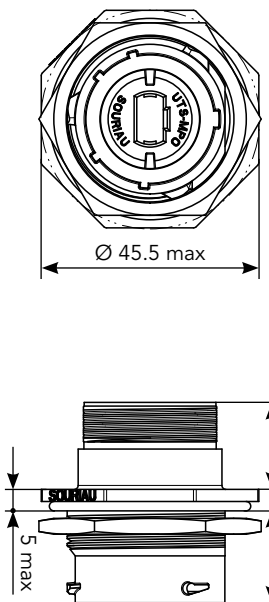
Free Hanging Receptacle -UTS1JC18MPN



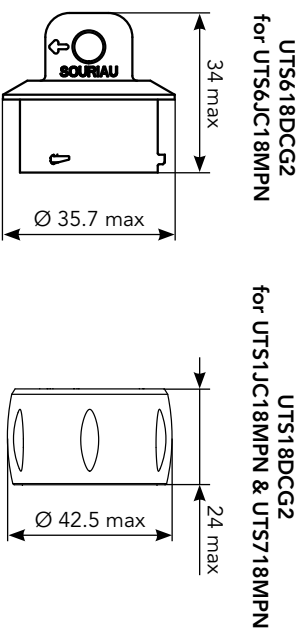
Plug - UTS6JC18MPN



Jam Nut Receptacle - UTS718MPN



Sealing Cap



SOURIAU

www.souriau-industrial.com

contactindustry@souriau.com

Esterline

Connection Technologies