



Chipsmall Limited consists of a professional team with an average of over 10 year of expertise in the distribution of electronic components. Based in Hongkong, we have already established firm and mutual-benefit business relationships with customers from,Europe,America and south Asia,supplying obsolete and hard-to-find components to meet their specific needs.

With the principle of “Quality Parts,Customers Priority,Honest Operation,and Considerate Service”,our business mainly focus on the distribution of electronic components. Line cards we deal with include Microchip,ALPS,ROHM,Xilinx,Pulse,ON,Everlight and Freescale. Main products comprise IC,Modules,Potentiometer,IC Socket,Relay,Connector.Our parts cover such applications as commercial,industrial, and automotives areas.

We are looking forward to setting up business relationship with you and hope to provide you with the best service and solution. Let us make a better world for our industry!



## Contact us

Tel: +86-755-8981 8866 Fax: +86-755-8427 6832

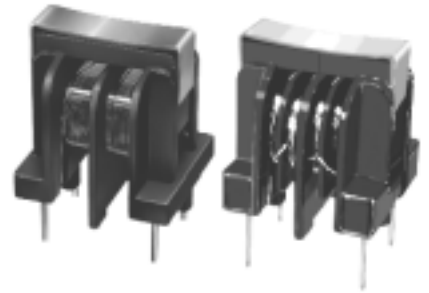
Email & Skype: info@chipsmall.com Web: www.chipsmall.com

Address: A1208, Overseas Decoration Building, #122 Zhenhua RD., Futian, Shenzhen, China

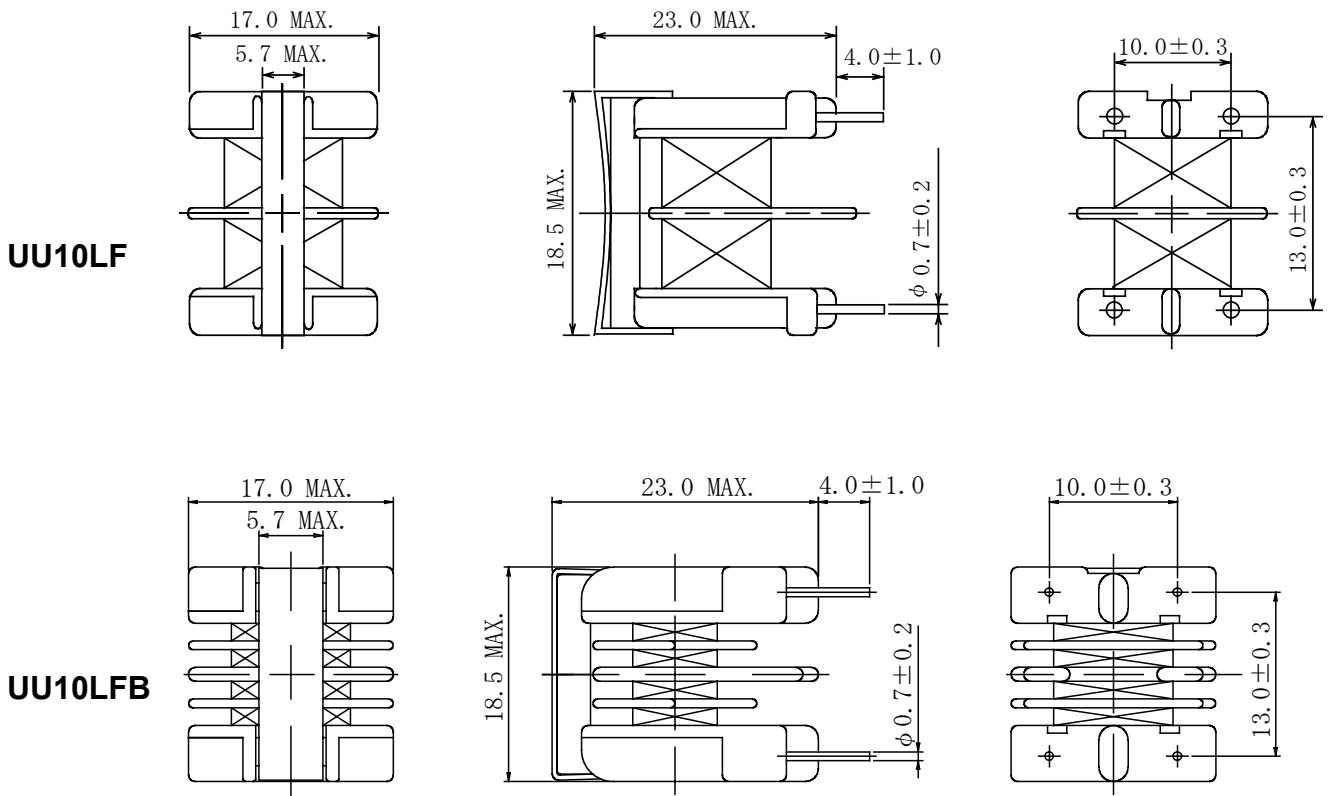


**Type: UU10LF, UU10LFB**
**◆ Product Description**

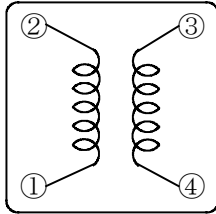
- 18.5×17.0mm Max.(L×W), 23.0mm Max. Height.
- Inductance range: 3.3mH~51mH
- Rated current range: 0.15~0.65A
- In addition to the standard versions of parameters shown here, custom designs are available to meet your exact requirements.


**◆ Feature**

- Ideally used as AC common mode noise filter for TV, VCR, Switching power supply, NC machine, PC&PC related advice, measurement and control unit.
- UU10LFB has better high frequency characteristics for its split bobbin structure.
- RoHS Compliance

**◆ Dimensions (mm)**


- \* Dimension does not include solder used on coil.
- \* Terminal pitch is measured at the base.(not from tip of the pin)

**Type: UU10LF, UU10LFB**
**◆ Schematics (Bottom)**


- \* Winding start is #1,#4 or #2,#3.
- \* #1&#4, #2&#3 : should be same polarity.

**◆ Specification (UU10LF)**

NO.	Part No.	Stamp	Inductance (mH) [MIN.] (1-2)( 4-3) 1kHz	Inductance Balance [MAX.] (μ H)	D.C.R. (Ω) [MAX.] (1-2)(4-3) (at 20°C)	Rated Current (50/60Hz) (mA Arms)※1
01	UU1ØLFNP-B332	B332	3.3	100	0.71	650
02	UU1ØLFNP-B682	B682	6.8	200	1.26	430
03	UU1ØLFNP-B123	B123	12	360	2.20	340
04	UU1ØLFNP-B223	B223	22	440	3.64	250
05	UU1ØLFNP-B333	B333	33	660	5.74	200
06	UU1ØLFNP-B513	B513	51	1000	9.12	150

**◆ Specification (UU10LFB)**

NO.	Part No.	Stamp	Inductance (mH) [MIN.] (1-2)( 4-3) 1kHz	Inductance Balance [MAX.] (μ H)	D.C.R. (Ω) [MAX.] (1-2)(4-3) (at 20°C)	Rated Current (50/60Hz) (mA Arms)※1
01	UU1ØLFBNP-B332	B332	3.3	100	0.729	650
02	UU1ØLFBNP-B682	B682	6.8	200	1.313	430
03	UU1ØLFBNP-B123	B123	12	360	2.230	340
04	UU1ØLFBNP-B223	B223	22	440	3.874	250
05	UU1ØLFBNP-B333	B333	33	660	5.818	200
06	UU1ØLFBNP-B513	B513	51	1000	9.510	150

※1. Rated current: The AC current at which the temperature rise is  $\Delta t=40^{\circ}\text{C}$ . ( $T_a=20^{\circ}\text{C}$ ).