



Chipsmall Limited consists of a professional team with an average of over 10 year of expertise in the distribution of electronic components. Based in Hongkong, we have already established firm and mutual-benefit business relationships with customers from,Europe,America and south Asia,supplying obsolete and hard-to-find components to meet their specific needs.

With the principle of “Quality Parts,Customers Priority,Honest Operation,and Considerate Service”,our business mainly focus on the distribution of electronic components. Line cards we deal with include Microchip,ALPS,ROHM,Xilinx,Pulse,ON,Everlight and Freescale. Main products comprise IC,Modules,Potentiometer,IC Socket,Relay,Connector.Our parts cover such applications as commercial,industrial, and automotives areas.

We are looking forward to setting up business relationship with you and hope to provide you with the best service and solution. Let us make a better world for our industry!



Contact us

Tel: +86-755-8981 8866 Fax: +86-755-8427 6832

Email & Skype: info@chipsmall.com Web: www.chipsmall.com

Address: A1208, Overseas Decoration Building, #122 Zhenhua RD., Futian, Shenzhen, China

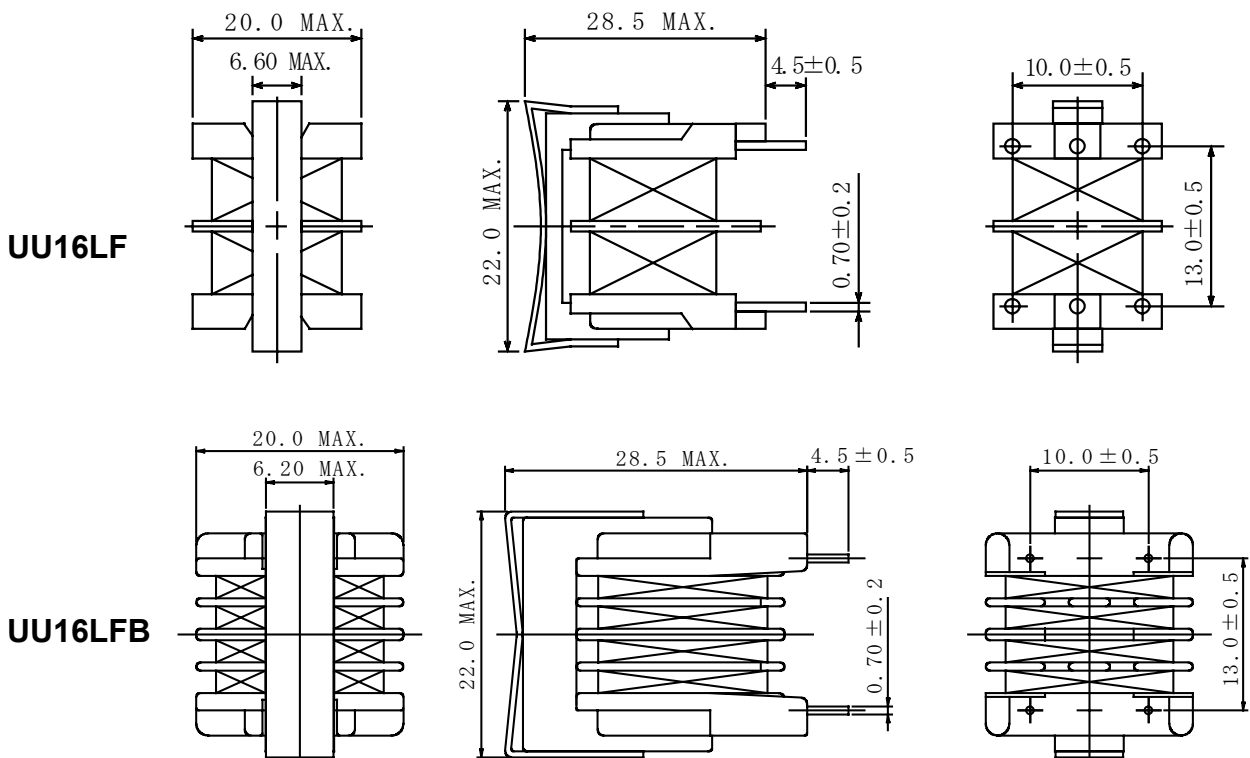


Type: UU16LF, UU16LFB
◆ Product Description

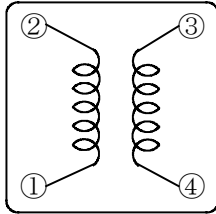
- 22.0×20.0mm Max.(L×W), 28.5mm Max. Height.
- Inductance range: 1.5mH~30mH
- Rated current range: 0.4~1.90A(UU16LF);0.35~1.75A(UU16LFB).
- In addition to the standard versions of parameters shown here, custom designs are available to meet your exact requirements.


◆ Feature

- Ideally used as AC common mode noise filter for TV, VCR, Switching power supply, NC machine, PC&PC related advice, measurement and control unit with better attenuation characteristics in low frequency band.
- UU16LFB has better high frequency characteristics for its split bobbin structure.
- RoHS Compliance.

◆ Dimensions (mm)


- * Dimension does not include solder used on coil.
- * Terminal pitch is measured at the base(not from tip of the pin)

Type: UU16LF, UU16LFB
◆ Schematics (Bottom)


- * Winding start is #1,#4 or #2,#3.
- * #1, #2 : should be same polarity.

◆ Specification(UU16LF)

NO.	Part No.	Stamp	Inductance [MIN.](mH) (1-2)(4-3) 1kHz	Inductance Balance [MAX.] (μ H)	D.C.R. (Ω) [MAX.] (1-2)(4-3) (at 20°C)	Rated current (50/60Hz) (Arms)※1
01	UU16LFNP-152	152	1.5	40	125m	1.9
02	UU16LFNP-4Ø2	402	4.0	60	270m	1.2
03	UU16LFNP-8Ø2	802	8.0	80	0.46	0.9
04	UU16LFNP-2Ø3	203	20	150	1.6	0.5
05	UU16LFNP-3Ø3	303	30	200	2.5	0.4

◆ Specification(UU16LFB)

NO.	Part No.	Stamp	Inductance [MIN.](mH) (1-2)(4-3) 1kHz	Inductance Balance [MAX.] (μ H)	D.C.R. (Ω) [MAX.] (1-2)(4-3) (at 20°C)	Rated Current (50/60Hz) (Arms)※1
01	UU16LFBNP-152	152	1.5	40	0.20	1.75
02	UU16LFBNP-4Ø2	402	4.0	60	0.35	1.00
03	UU16LFBNP-8Ø2	802	8.0	80	0.6	0.80
04	UU16LFBNP-2Ø3	203	20	200	1.5	0.45
05	UU16LFBNP-3Ø3	303	30	300	2.5	0.35

※1. Rated current: The AC current at which the temperature rise is $\Delta t=40^{\circ}\text{C}$. ($T_a=20^{\circ}\text{C}$).