



Chipsmall Limited consists of a professional team with an average of over 10 year of expertise in the distribution of electronic components. Based in Hongkong, we have already established firm and mutual-benefit business relationships with customers from,Europe,America and south Asia,supplying obsolete and hard-to-find components to meet their specific needs.

With the principle of “Quality Parts,Customers Priority,Honest Operation,and Considerate Service”,our business mainly focus on the distribution of electronic components. Line cards we deal with include Microchip,ALPS,ROHM,Xilinx,Pulse,ON,Everlight and Freescale. Main products comprise IC,Modules,Potentiometer,IC Socket,Relay,Connector.Our parts cover such applications as commercial,industrial, and automotives areas.

We are looking forward to setting up business relationship with you and hope to provide you with the best service and solution. Let us make a better world for our industry!



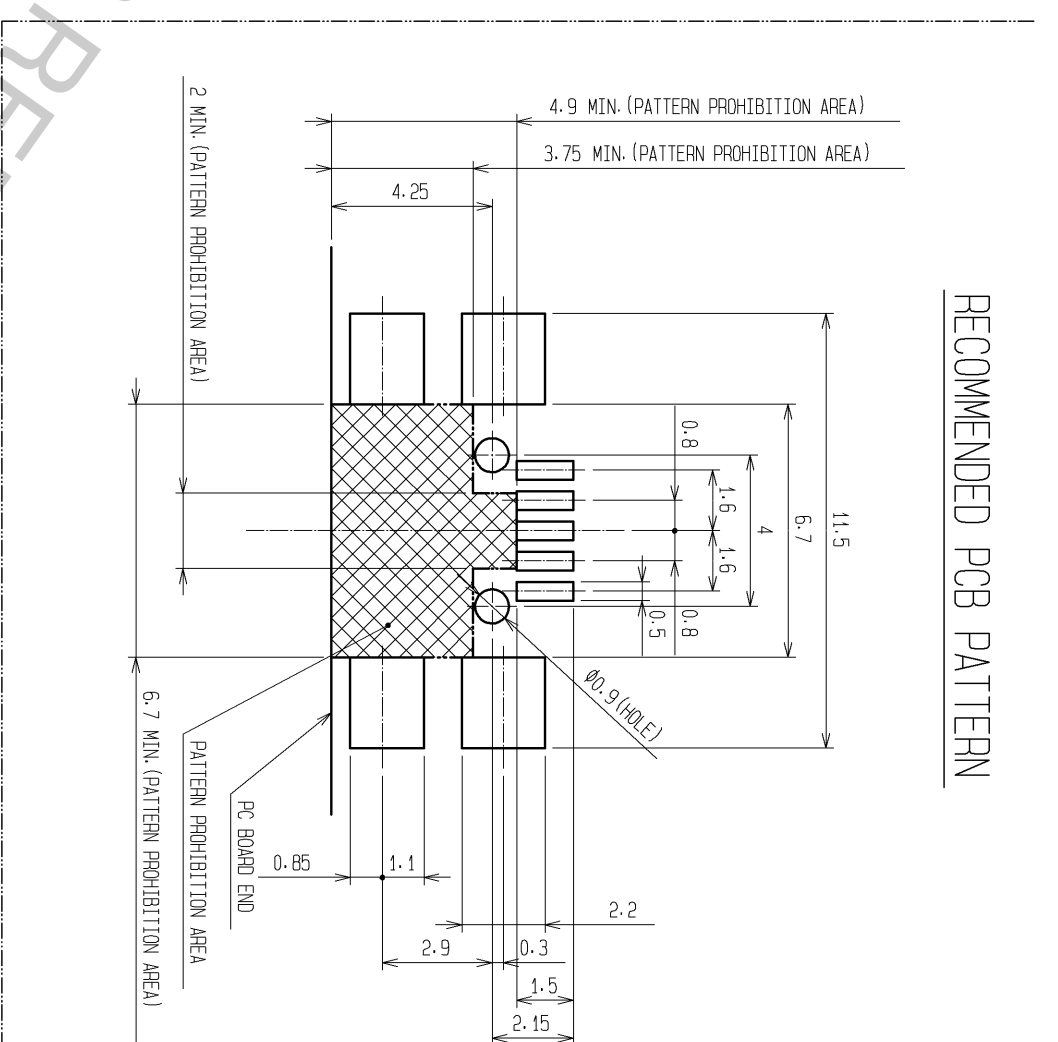
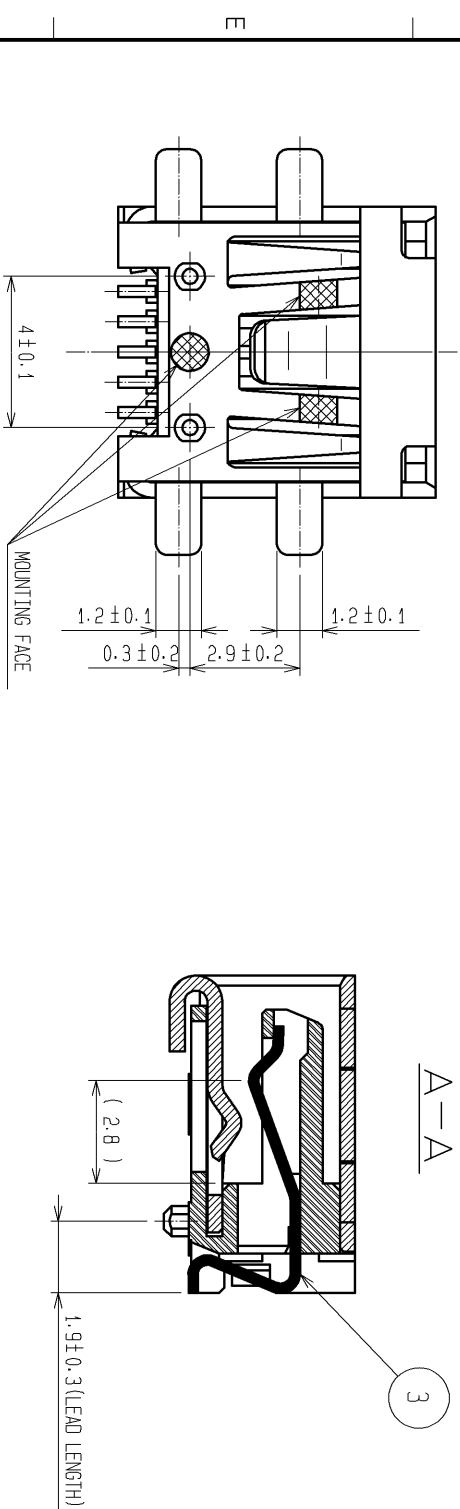
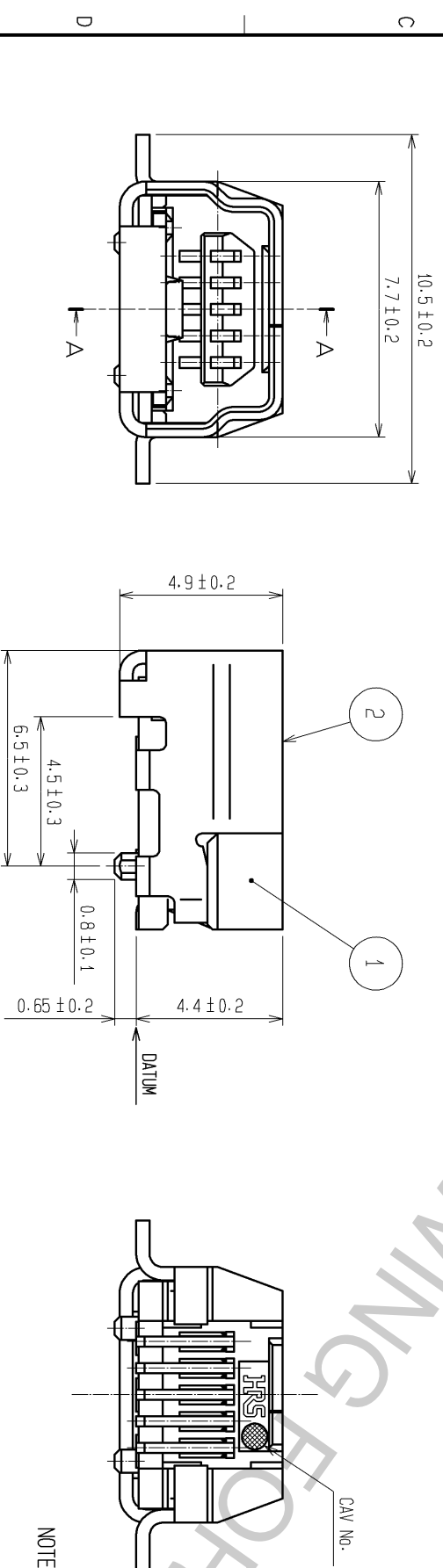
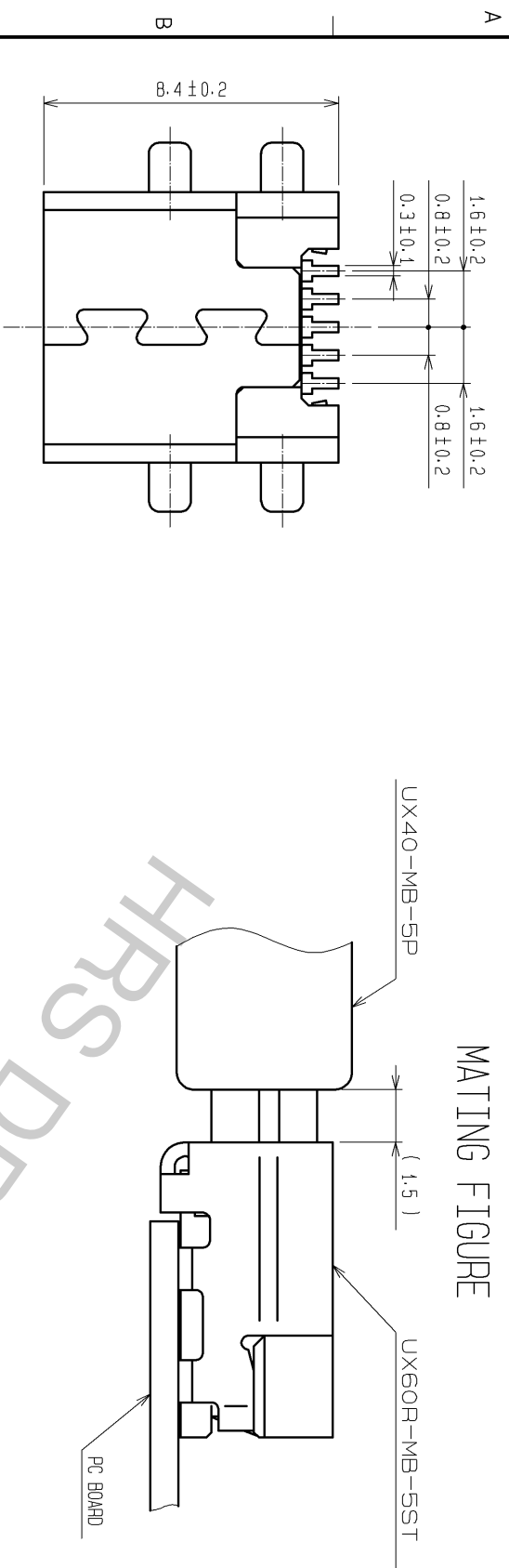
## Contact us

Tel: +86-755-8981 8866 Fax: +86-755-8427 6832

Email & Skype: info@chipsmall.com Web: www.chipsmall.com

Address: A1208, Overseas Decoration Building, #122 Zhenhua RD., Futian, Shenzhen, China





- NOTES
1. INTERFACE DIMENSIONS CONFORM TO USB2.0 STANDARDS.
  2. ALL 9 LEADS (5 PINS + 4 METAL FITTINGS) SMT AND CO-PLANARITY SHALL BE AS FOLLOWS.
  3. PER REEL : 900 PIECES.

SMT AGAINST DATUM	CO-PLANARITY
0±0.075	WITHIN 0.1

NO.	UNITS	MATERIAL	FINISH	REMARKS	NO.	MATERIAL	FINISH	REMARKS
2	BRASS	NICKEL PLATED 1 μm + TIN PLATED 2 μm	A		4	PE	A	
1	POLYAMIDE	BLACK UX94V-0			3	PHOSPHOR BRONZE		CONTACT AREA: NICKEL PLATED 1.25 μm + GOLD PLATED 0.25 μm MOUNTING AREA: NICKEL PLATED 1.25 μm + TIN-COPPER PLATED 1 μm OTHERS AREA: NICKEL PLATED 1.25 μm

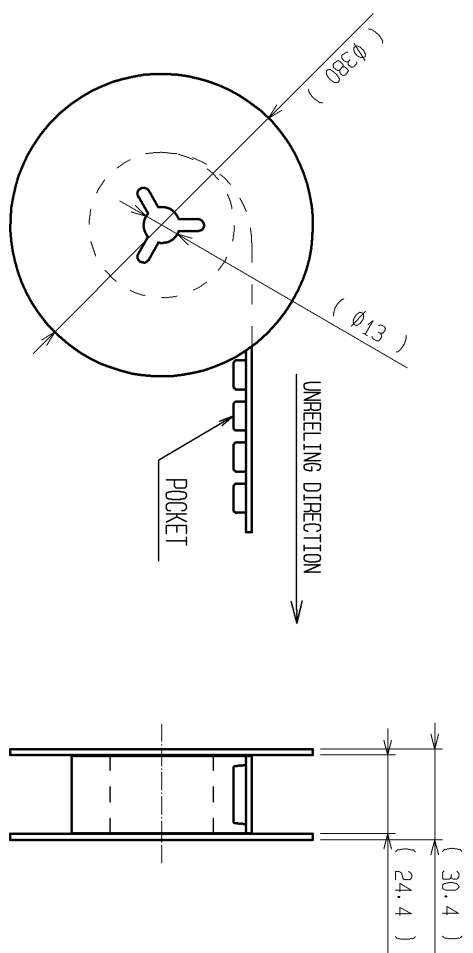
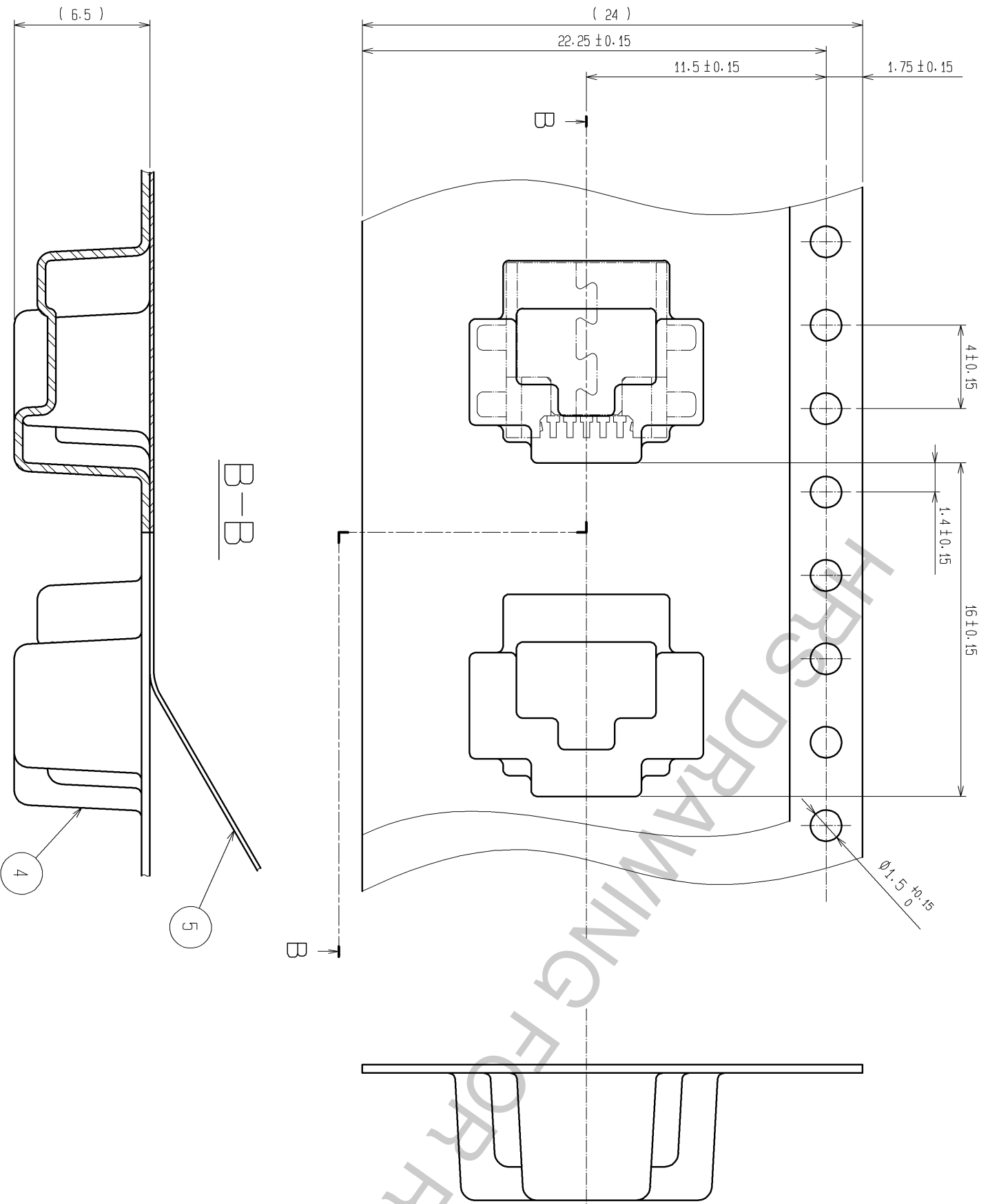
SCALE	COUNT	DESCRIPTION OF REVISIONS	DESIGNED	CHECKED	DATE
5 : 1	3	DIS-E-003848	TA. TORIHARA	RI. TAKAYASU	11.07.15

<p><b>HRS</b> HIROSE ELECTRIC CO., LTD.</p>		<p>APPROVED : AO. SUZUKI</p>		<p>EDC3-124565-00</p>	
<p>CHECKED : MR. NAKAMURA</p>		<p>DESIGNED : HK. TANAKA</p>		<p>UX60R-MB-5ST</p>	
<p>DRAWN : HK. TANAKA</p>		<p>NO. 05.01.05</p>		<p>CL240-0008-8-00</p>	

# △ DRAWING FOR PACKING

UNREELING DIRECTION →

PACKAGING CONDITION(FREE)



FORM HC0011-5-8

2

3

4

5

6

7

8

<b>HR5</b>	DRAWING NO.	EDC3-124565-00
	PART NO.	UX60R-MB-5ST
	CODE NO.	CL240-0008-8-00
		△ 2/2