



Chipsmall Limited consists of a professional team with an average of over 10 year of expertise in the distribution of electronic components. Based in Hongkong, we have already established firm and mutual-benefit business relationships with customers from,Europe,America and south Asia,supplying obsolete and hard-to-find components to meet their specific needs.

With the principle of "Quality Parts,Customers Priority,Honest Operation,and Considerate Service",our business mainly focus on the distribution of electronic components. Line cards we deal with include Microchip,ALPS,ROHM,Xilinx,Pulse,ON,Everlight and Freescale. Main products comprise IC,Modules,Potentiometer,IC Socket,Relay,Connector.Our parts cover such applications as commercial,industrial, and automotives areas.

We are looking forward to setting up business relationship with you and hope to provide you with the best service and solution. Let us make a better world for our industry!



## Contact us

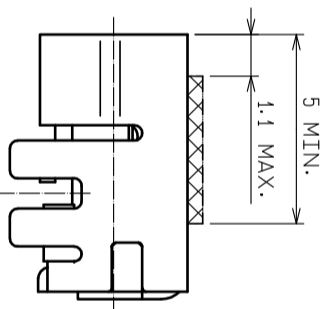
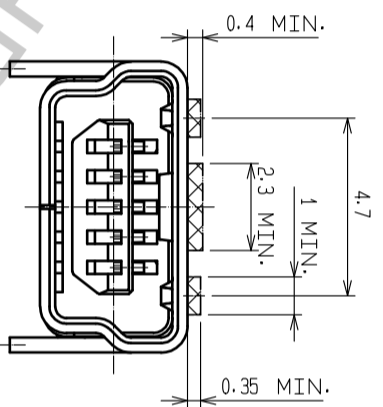
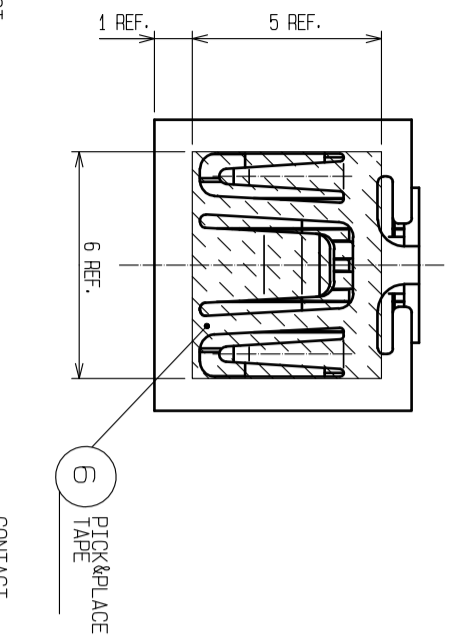
Tel: +86-755-8981 8866 Fax: +86-755-8427 6832

Email & Skype: info@chipsmall.com Web: www.chipsmall.com

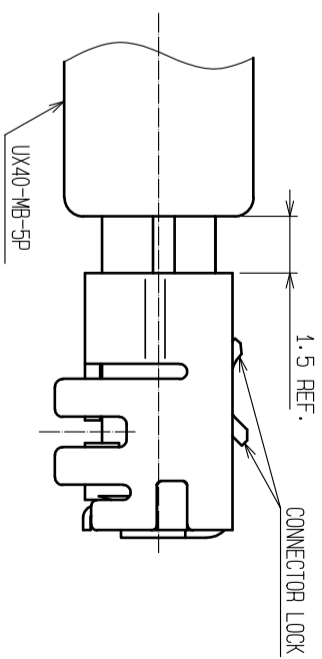
Address: A1208, Overseas Decoration Building, #122 Zhenhua RD., Futian, Shenzhen, China



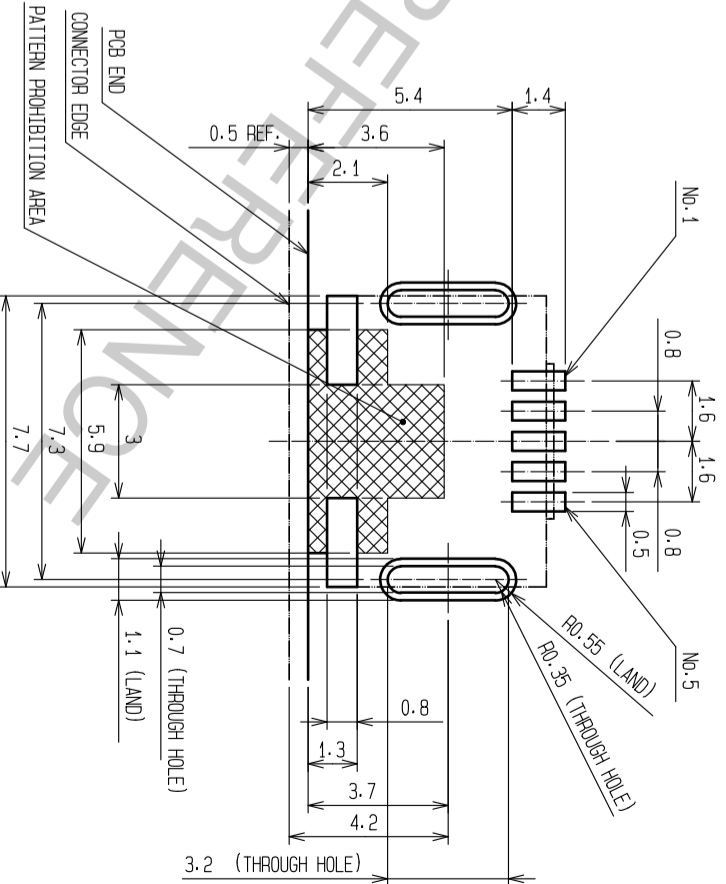
REFERENCE CONNECTOR LOCK CLEARANCE AREA



MATING FIGURE



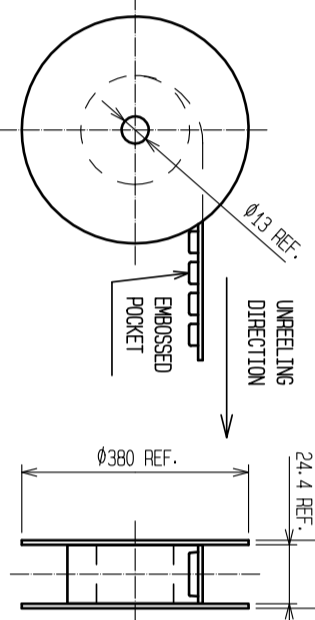
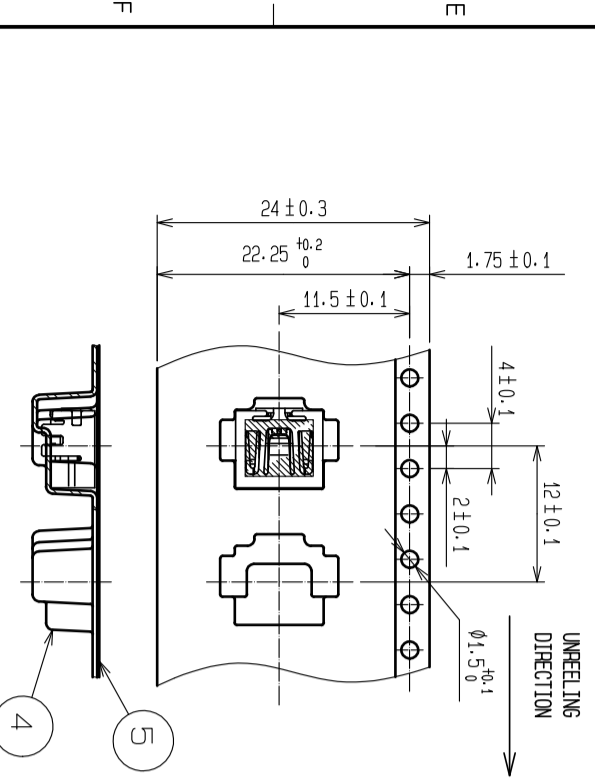
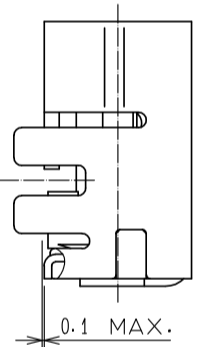
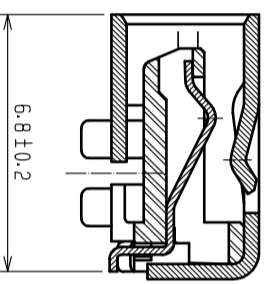
REFERENCE PCB AREA  
(CONNECTOR MOUNTING FACE)



NOTES:

1. INTERFACE DIMENSIONS CONFORM TO USB2.0 STANDARDS.
2. 1000 PCS PER REEL.
3. CONTACTS AND METAL SHELL ARE CO-PLANARITY TO BE 0.1 MAX.

DRAWING FOR PACKING(FREE)



NO.	MATERIAL	FINISH	REMARKS	NO.	MATERIAL	FINISH	REMARKS
1	LCP		UL94V-0 COLOR: BLACK	3	COPPER ALLOY		SURFACE PLATING: TIN 1 μm MIN. UNDER PLATING: NICKEL 1 μm MIN.
2	COPPER ALLOY		CONTACT AREA: GOLD 0.75 μm MIN. LEAD AREA: GOLD 0.03 μm MIN. UNDER PLATING: NICKEL 1.25 μm MIN.	4	PS		(EMBOSSED CARRIER TAPE)
3	COPPER ALLOY			5	PE		(TOP COVER TAPE)
4	COPPER ALLOY			6	PA		(PICK&PLACE TAPE)

UNITS	SCALE	COUNT	DESCRIPTION OF REVISIONS	DESIGNED	CHECKED	DATE
mm	5 : 1	3	DIS-E-00000439	P. EKOURIYA	MM. NISHIMATSU	16.01.18

NO.	APPROVED	CHECKED	DESIGNED	DRAWN	NO.	DATE
	MF. MIYAZAKI	MF. MIYAZAKI	HS. KIKUCHI	HS. KIKUCHI		



HIROSE ELECTRIC CO., LTD.	EDC3-126060-01	UX60SC-MB-5S8(80)	CL240-0020-3-80
---------------------------	----------------	-------------------	-----------------