



Chipsmall Limited consists of a professional team with an average of over 10 year of expertise in the distribution of electronic components. Based in Hongkong, we have already established firm and mutual-benefit business relationships with customers from,Europe,America and south Asia,supplying obsolete and hard-to-find components to meet their specific needs.

With the principle of “Quality Parts,Customers Priority,Honest Operation,and Considerate Service”,our business mainly focus on the distribution of electronic components. Line cards we deal with include Microchip,ALPS,ROHM,Xilinx,Pulse,ON,Everlight and Freescale. Main products comprise IC,Modules,Potentiometer,IC Socket,Relay,Connector.Our parts cover such applications as commercial,industrial, and automotives areas.

We are looking forward to setting up business relationship with you and hope to provide you with the best service and solution. Let us make a better world for our industry!



## Contact us

Tel: +86-755-8981 8866 Fax: +86-755-8427 6832

Email & Skype: info@chipsmall.com Web: www.chipsmall.com

Address: A1208, Overseas Decoration Building, #122 Zhenhua RD., Futian, Shenzhen, China





### BATTERY MODULES

A modular concept allows the user to meet individual application demands and is available with two different options:

You can order the module with an assembled battery or you can choose only the bracket allowing the mounting of individual batteries. The mounting bracket allows the battery to be assembled just in time avoiding outdated batteries due to limited shelf life.

- Long life battery: 10 to 12 years
- Easy access to the terminals and the fuse

### DATA

#### Battery

Maintenance free valve regulated lead acid battery  
 Battery voltage nom 12Vdc  
 Battery capacity nom 26Ah  
 Self-discharge typ 3%/ month at 20°C  
 Design life (EUROBAT) 10 to 12 years

#### Fuse

Blade terminal fuse nom 30A ATO®  
 (257 030 Littelfuse)

#### Terminals and Wiring

Type	Screw terminals
Solid wire	nom 2.5-4mm <sup>2</sup>
Stranded wire	nom 2.5-4mm <sup>2</sup>
American wire gauge	max 12 AWG
Wire stripping length	nom 7mm / 0.275"
Tightening torque	nom 0.8Nm / 7lb.in

#### Ambient Temperature

Operation	min +0°C to +40°C
Storage and transport	min -20°C to +50°C

#### Dimensions and Weight (UZK12.261)

Width	nom 214 mm / 8.43"
Height	nom 179 mm / 7.05"
Depth	nom 158 mm / 6.22"
Weight	max 9920g / 21.83lb

### ORDER NUMBERS

**UZK12.261** Battery module  
**UZO12.26** Mounting kit without battery  
**UZB12.261** Battery replacement

### DATA

#### Instructions for Use and Disposal of the Battery

- Place the battery module outside the cabinet or in the coolest area when used inside the cabinet.
- Use wires no smaller than 2.5mm<sup>2</sup> (or 12 AWG) and not longer than 2x1.5m (cord length 1.5m).
- Disconnect battery fuse before working on the battery or on the DC-UPS.
- For storage, installation and operation, the requirements of the EN 50272-2 as well as other national regulations must be observed.
- Ensure sufficient ventilation for the battery.
- Always dispose the batteries through a recycling organisation. Batteries must be completely discharged before recycling.



#### Warranty

3 Year limited warranty except battery as battery is considered as a service part. Special conditions are part of our general terms and conditions. Do not store the battery longer than 9 month without supplementary charge or performance might change.

### MARKINGS



Battery, terminal block, cables, fuse and fuse holder are **UL**-approved components.

### PHYSICAL DIMENSIONS

Fig. 1 **Front view**

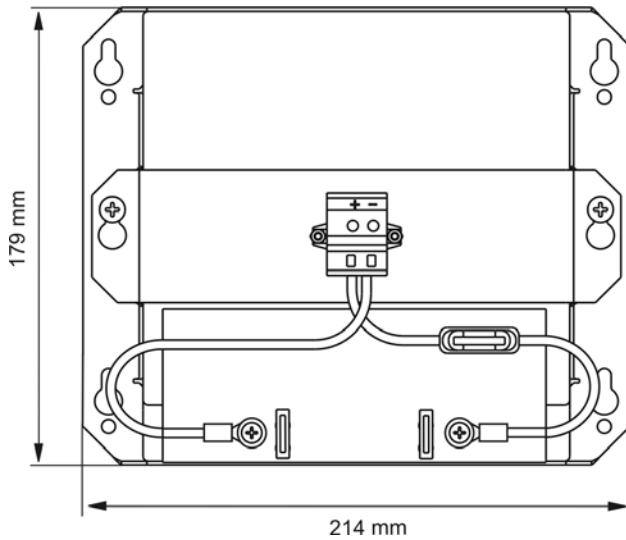
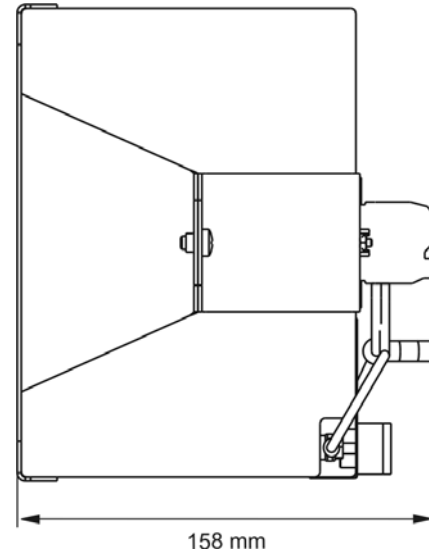


Fig. 2 **Side view**



### PANEL/WALL MOUNTING

The battery module can be mounted in upright or table-top position.

Fig. 2 **Hole pattern**

