



Chipsmall Limited consists of a professional team with an average of over 10 year of expertise in the distribution of electronic components. Based in Hongkong, we have already established firm and mutual-benefit business relationships with customers from,Europe,America and south Asia,supplying obsolete and hard-to-find components to meet their specific needs.

With the principle of “Quality Parts,Customers Priority,Honest Operation,and Considerate Service”,our business mainly focus on the distribution of electronic components. Line cards we deal with include Microchip,ALPS,ROHM,Xilinx,Pulse,ON,Everlight and Freescale. Main products comprise IC,Modules,Potentiometer,IC Socket,Relay,Connector.Our parts cover such applications as commercial,industrial, and automotives areas.

We are looking forward to setting up business relationship with you and hope to provide you with the best service and solution. Let us make a better world for our industry!



Contact us

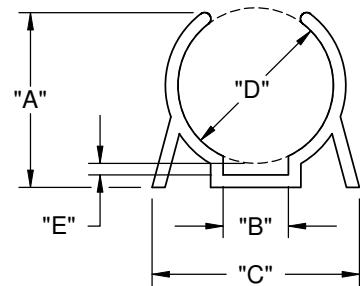
Tel: +86-755-8981 8866 Fax: +86-755-8427 6832

Email & Skype: info@chipsmall.com Web: www.chipsmall.com

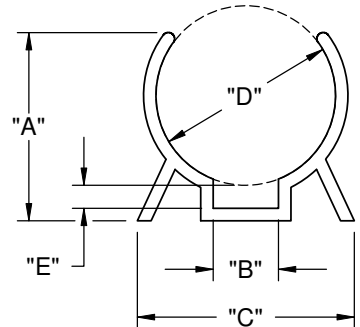
Address: A1208, Overseas Decoration Building, #122 Zhenhua RD., Futian, Shenzhen, China



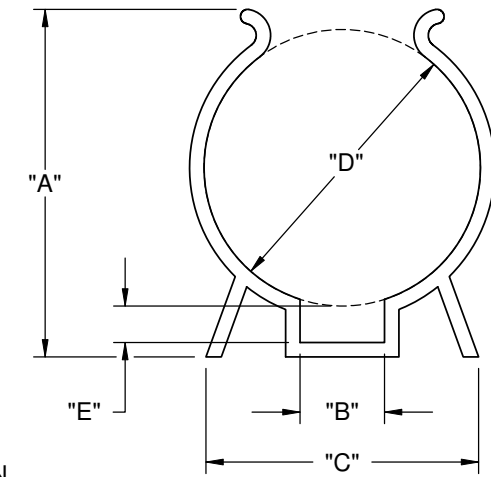
PART NO.	"A" REF.	"B" REF.	"C" REF.	"D" HOLDING DIA.	"E" REF.	"F" REF.	"G"±.020 [0.5]	"H" REF.	"I" [REF.]	"L" ±.030 [0.8]	WALL REF.
V- 1000	.30 [7.5]	.19 [4.8]	.50 [12.7]	.25 [6.4]	.04 [1.0]	.094 [2.4]	.250 [6.4]	SINGLE HOLE IN CENTER	.135 [3.4]	.50 [12.7]	.040 [1.0]
V- 1001	.36 [9.1]			.31 [7.9]	.06 [1.5]				.140 [3.6]		.045 [1.1]
V- 1002	.41 [10.3]			.38 [9.5]					.160 [4.1]		.050 [1.3]
V- 1003	.45 [11.5]	.52 [13.1]	.44 [11.1]	.185 [4.7]		.060 [1.5]					
V- 1004	.50 [12.7]	.22 [5.6]	.66 [16.7]	.50 [12.7]	.04 [1.0]	.156 [4.0]	.190 [4.8]	.75 [19.1]	.235 [6.0]	1.13 [28.5]	.075 [1.9]
V- 1005	.61 [15.5]			.72 [18.3]					.56 [14.3]		
V- 1006	.63 [15.9]	.25 [6.4]	.83 [21.0]	.63 [15.9]	.06 [1.5]				.235 [6.0]		
V- 1007	.63 [15.9]	.34 [8.6]	.84 [21.0]	.69 [17.6]	.04 [1.0]	.190 [4.8]	.500 [12.7]	.75 [19.1]	.280 [7.1]	1.75 [44.5]	.093 [2.4]
V- 1008	.78 [19.8]	.36 [9.1]	.89 [22.6]	.75 [19.1]	.06 [1.5]				.295 [7.5]		
V- 1009	.91 [23.0]	.34 [8.6]	1.08 [27.4]	.88 [22.2]	.12 [3.0]				.375 [9.5]		
V- 1010	.98 [25.0]		1.13 [28.6]	1.00 [25.4]	.19 [4.8]						
V- 1011	1.34 [34.1]	.41 [10.4]	1.25 [31.8]	1.38 [34.9]	.19 [4.8]	.375 [9.5]	.500 [12.7]	.75 [19.1]	1.13 [28.5]	1.75 [44.5]	.075 [1.9]
V- 1024	1.81 [46.0]	.44 [11.2]	1.42 [36.1]	1.50 [38.1]	.22 [5.6]						
V- 1028	1.92 [48.8]		1.50 [38.1]	1.75 [44.5]							
V- 1030	2.44 [61.9]	.52 [13.2]	2.61 [66.3]	2.25-2.75 [57.1-69.9]	.22 [5.6]						



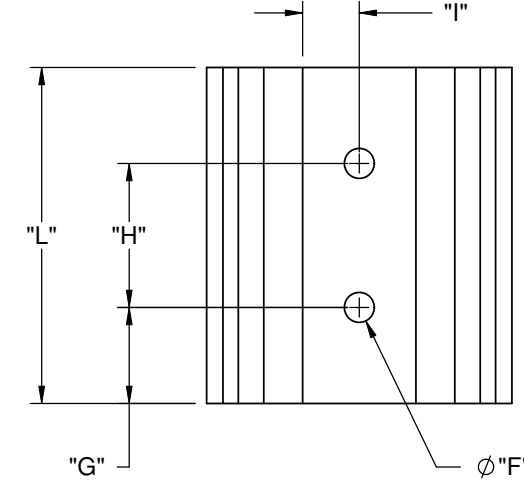
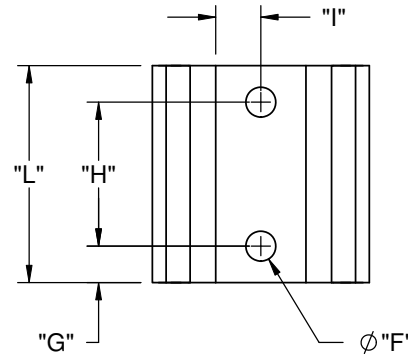
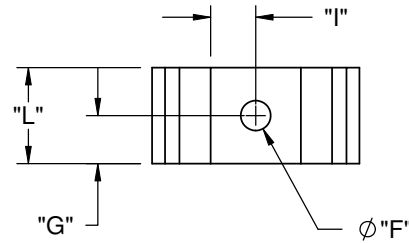
THIS STYLE ON
V-1000 THRU V-1009



THIS STYLE ON
V-1010 & V-1011



THIS STYLE ON
V-1024, V-1028, & V-1030



- NOTES:
1. MATERIAL: PVC (RMS-4)
2. COLOR: BLACK
3. DIMENSION "E" APPLIES TO PART WITH NOMINAL DIA. ROD IN PLACE.
4. CUSTOM LENGTHS AVAILABLE BY SPECIAL ORDER.

K	SEE CO # 200258 FOR CHANGES	SK	10/09/08
J	SEE CO # 200211 FOR CHANGES	SK	07/07/08
-	SEE ENGINEERING FOR REV A-1	-	-
REV.	DESCRIPTION	ENGR.	DATE

TITLE: COMPONENT CLIPS				DWG IN IN [MM]		FINAL	
CREATED USING SOLIDWORKS	FILE #: V-CLIPS	DWN: R.D.G.	APP: R.D.G.	PART #			
TOLERANCES UNLESS NOTED .XX=±.02 .XXX=±.015 FRAC.=±1/32 ANG.=±3°	SHEET: 1 OF 1	SHEET SIZE: B	DT: 06/23/08	CHKD: D.Z.	SEE TABLE		PRINT TYPE CA
RE: RICHCO, INC.		RICHCO, INC. ENG@RICHCO-INC.COM (773) 539-4060					