



Chipsmall Limited consists of a professional team with an average of over 10 year of expertise in the distribution of electronic components. Based in Hongkong, we have already established firm and mutual-benefit business relationships with customers from,Europe,America and south Asia,supplying obsolete and hard-to-find components to meet their specific needs.

With the principle of "Quality Parts,Customers Priority,Honest Operation,and Considerate Service",our business mainly focus on the distribution of electronic components. Line cards we deal with include Microchip,ALPS,ROHM,Xilinx,Pulse,ON,Everlight and Freescale. Main products comprise IC,Modules,Potentiometer,IC Socket,Relay,Connector.Our parts cover such applications as commercial,industrial, and automotives areas.

We are looking forward to setting up business relationship with you and hope to provide you with the best service and solution. Let us make a better world for our industry!



## Contact us

Tel: +86-755-8981 8866 Fax: +86-755-8427 6832

Email & Skype: info@chipsmall.com Web: www.chipsmall.com

Address: A1208, Overseas Decoration Building, #122 Zhenhua RD., Futian, Shenzhen, China



1

2

3

4

5

6

7

A

A

B

B

C

C

D

D

E

E

F

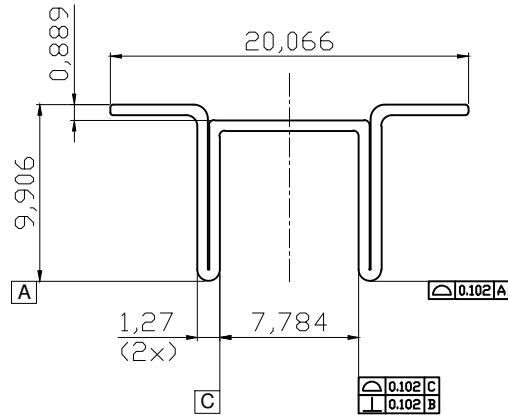
F

G

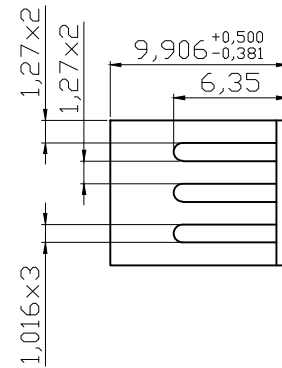
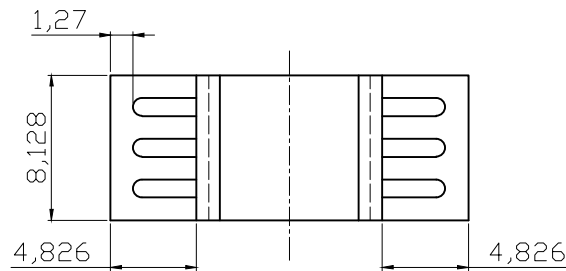
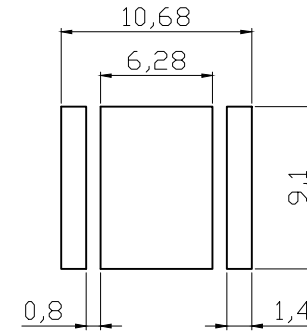
G

H

H



Ⓒ Recommended PCB solder layout footprint  
all dimension in mm



Material :Copper T=0.6mm  
Finished: Bright Tin Plated  
Unmarked round angleR is 0.75

Option	Packaging	Thermal resistance(K/W)
V-1100-SMD/B	⑤ Tape&Reel ③ 400 pcs/reel	25
V-1100-SMD/B-L	Bulk ⑦ 625 pcs/pe bag	25

**RoHS compliant**  
Unit: mm

Scale	Free	⑦	Update packaging qty	19.03.2018	Amy		Date	Name	Customer-No.
TOLERANCE		⑥	Add PCB layout	14.10.2014	Amy	Drawn	11.08.2009	Dean	ASSMANN WSW-No. <b>V-1100-SMD/Bx</b>
		⑤	Change the packing qty	10.01.2014	Amy	Approved	19.03.2018	Amy	
UNIT	±0.3	④	Change production plant	26.09.2013	Amy				
DIM	TOL	③	Update	13.06.2013	Amy	<b>ASSMANN</b> WSW components			Drawing-No.
X.°	±X°	②	Modify drawing layout	10.03.2010	Alex				ASS 0855 HS
X.X°	±X°	②	Modify drawing layout	10.03.2010	Alex	Replace		Sheet	
Angle	TOL	Id.	Modification	Date	Name				

1

2

3

4

5

6

7