



Chipsmall Limited consists of a professional team with an average of over 10 year of expertise in the distribution of electronic components. Based in Hongkong, we have already established firm and mutual-benefit business relationships with customers from,Europe,America and south Asia,supplying obsolete and hard-to-find components to meet their specific needs.

With the principle of “Quality Parts,Customers Priority,Honest Operation,and Considerate Service”,our business mainly focus on the distribution of electronic components. Line cards we deal with include Microchip,ALPS,ROHM,Xilinx,Pulse,ON,Everlight and Freescale. Main products comprise IC,Modules,Potentiometer,IC Socket,Relay,Connector.Our parts cover such applications as commercial,industrial, and automotives areas.

We are looking forward to setting up business relationship with you and hope to provide you with the best service and solution. Let us make a better world for our industry!



Contact us

Tel: +86-755-8981 8866 Fax: +86-755-8427 6832

Email & Skype: info@chipsmall.com Web: www.chipsmall.com

Address: A1208, Overseas Decoration Building, #122 Zhenhua RD., Futian, Shenzhen, China



PART NAME	SEE-THRU DOOR	PART No.	V-9770-L thru V-9776-L	REV. DATE	2-10-10
-----------	---------------	----------	------------------------	-----------	---------

MATERIAL:

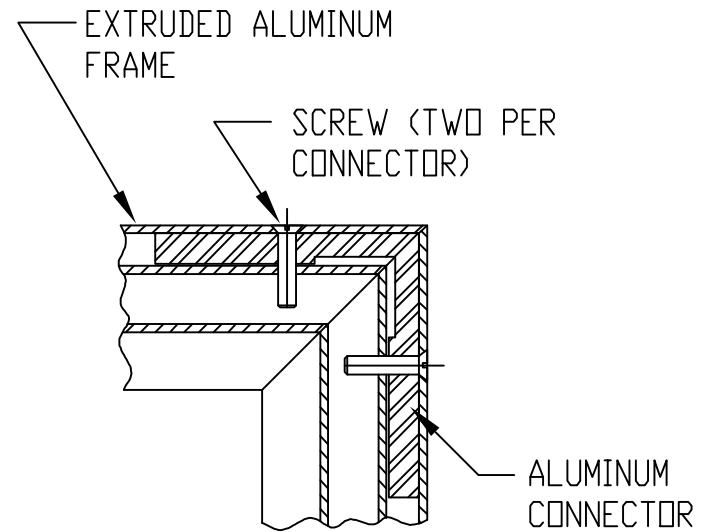
DOOR FRAME _____ ALUMINUM EXTRUSION
 DOOR PANEL _____ 0.187 THICK PLEXIGLAS
 WASHER _____ 20 GA. STAINLESS STEEL
 HINGES _____ 14 GA. STEEL
 STRIKER _____ 11 GA. STAINLESS STEEL

FINISH:

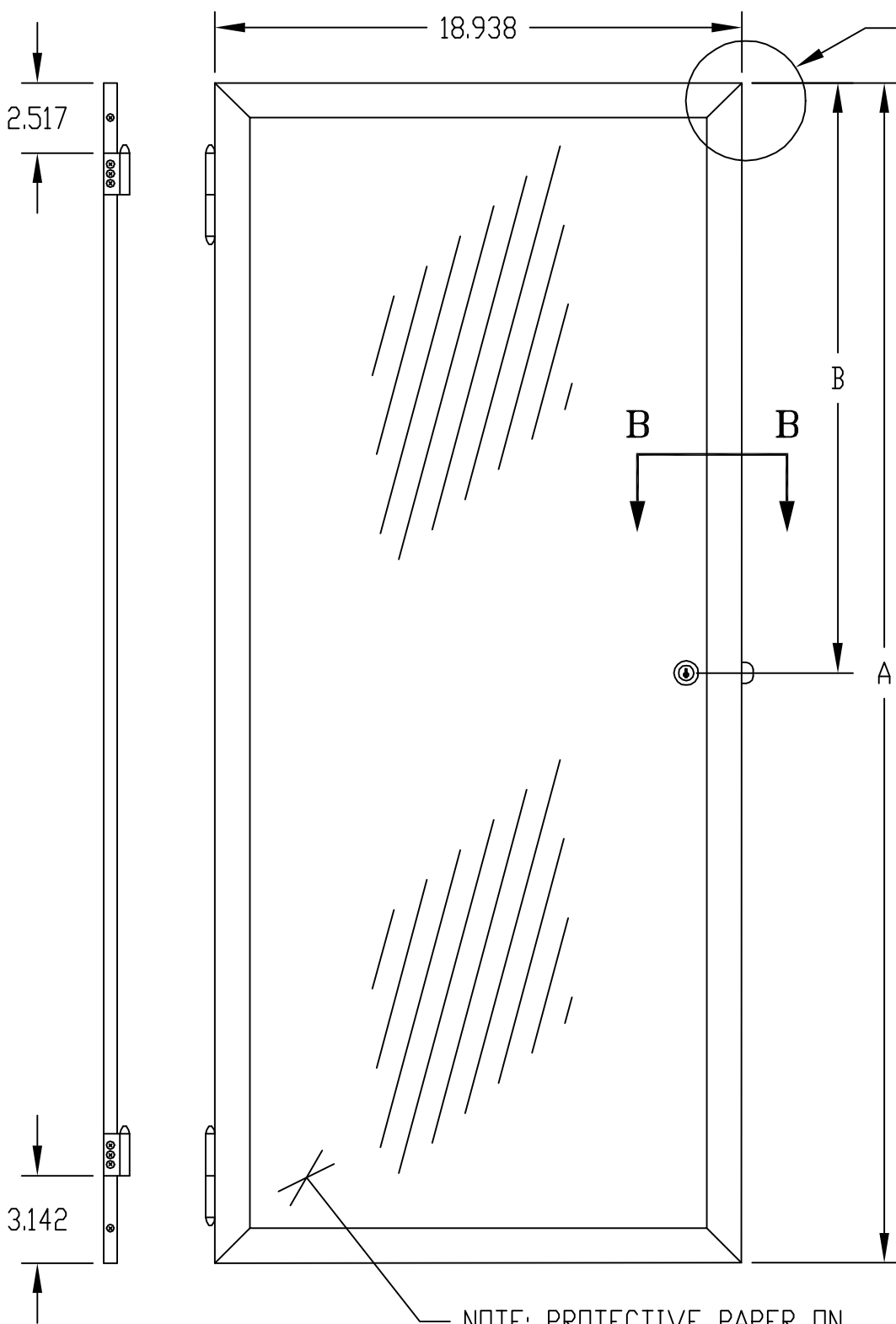
DOOR FRAME _____ CLEAR ANODIZED
 DOOR PANEL _____ SMOKE GRAY
 STRIKER, WASHER _____ NATURAL
 HINGES _____ METALLIC GRAY

DOOR:

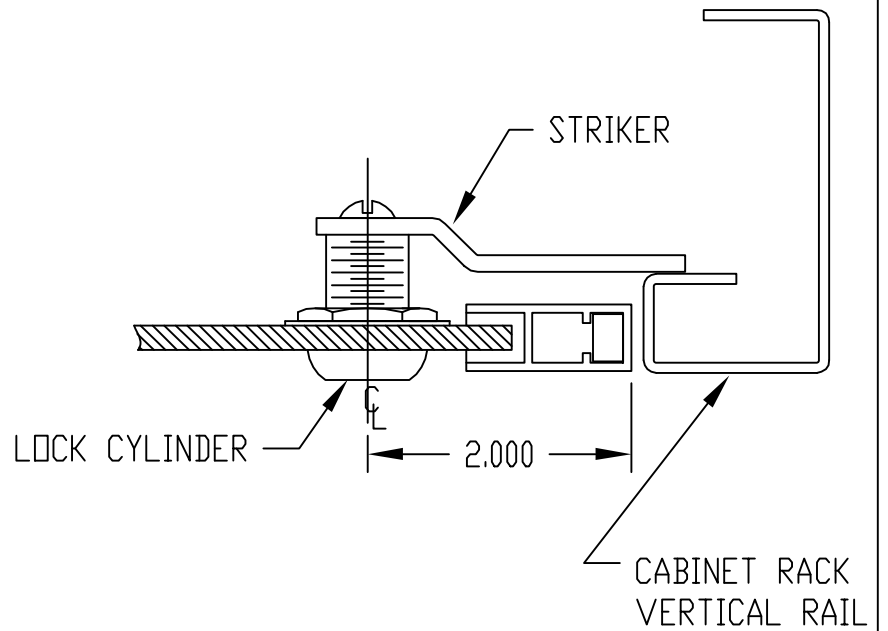
- CLEARS PANEL SPACE WHEN OPENED 90° OR MORE
- IS HELD CLOSED WITH LOCK
- FITS SERIES 60 UPRIGHT CABINET RACKS AND SERIES 2000 CABINET RACKS



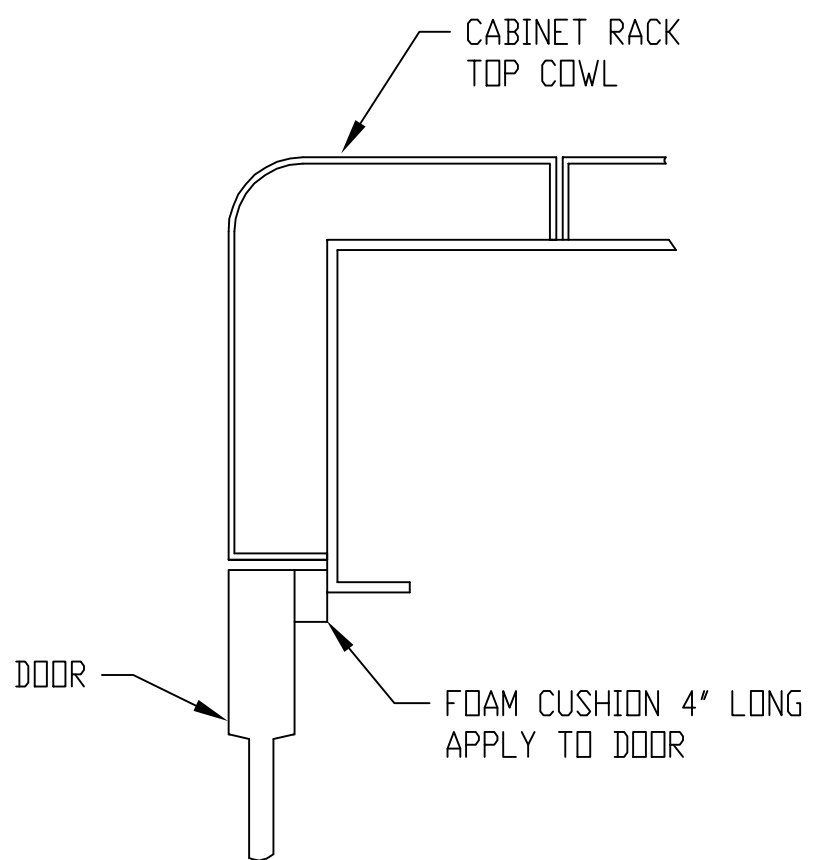
SECTION "A-A"



NOTE: PROTECTIVE PAPER ON BOTH SIDES OF PLEXIGLAS



SECTION "B-B"



DETAIL "C"

PART NO. LOCKING	HEIGHT A	B	RACK VERTICAL PANEL SPACE
V-9770-L	21.407	10.719	21.000
V-9771-L	31.907	15.969	31.500
V-9772-L	42.407	21.219	42.000
V-9773-L	52.907	26.469	52.500
V-9774-L	61.657	30.844	61.250
V-9775-L	70.407	35.219	70.000
V-9776-L	79.157	39.594	78.750