



Chipsmall Limited consists of a professional team with an average of over 10 year of expertise in the distribution of electronic components. Based in Hongkong, we have already established firm and mutual-benefit business relationships with customers from,Europe,America and south Asia,supplying obsolete and hard-to-find components to meet their specific needs.

With the principle of "Quality Parts,Customers Priority,Honest Operation,and Considerate Service",our business mainly focus on the distribution of electronic components. Line cards we deal with include Microchip,ALPS,ROHM,Xilinx,Pulse,ON,Everlight and Freescale. Main products comprise IC,Modules,Potentiometer,IC Socket,Relay,Connector.Our parts cover such applications as commercial,industrial, and automotives areas.

We are looking forward to setting up business relationship with you and hope to provide you with the best service and solution. Let us make a better world for our industry!



Contact us

Tel: +86-755-8981 8866 Fax: +86-755-8427 6832

Email & Skype: info@chipsmall.com Web: www.chipsmall.com

Address: A1208, Overseas Decoration Building, #122 Zhenhua RD., Futian, Shenzhen, China



V-Charger

V-SERIES DUAL PORT USB 2.0 CHARGERS

Carling Technologies USB V-Charger is designed to charge tablets, e-readers, mobile and gaming devices, digital cameras, as well as other compatible electronic devices.

Providing a total current of 3.15 amps, the V-Charger delivers fast charging times even in extreme temperatures from -40°C to +80°C. This innovative product safeguards its electronics with integrated over-current and thermal overload protection, as well as optional load dump circuitry, assuring prolonged safe and reliable operation. The center LED indicates charging is in progress. Snap-in mounting for an industry standard 1.450" x .830" panel cutout makes installation easy.

*Additionally, the V-Charger's double torsion spring-loaded access doors automatically close and provide effortless IP64 sealing protection with precision-fit silicone rubber seals.



Resources:

[Download 3D CAD Files](#)

[IGS >](#) [STP >](#)

[Watch Product Video](#)



Product Highlights:

- ♦ Dual USB Charging Ports
- ♦ 3.15 Amps for Faster Charging
- ♦ 10,000 Operating Cycles per Port
- ♦ IP64 Sealing Protection
- ♦ 12-24 V Operating Voltage
- ♦ Protection for Internal Components

Typical Applications:

- ♦ On/Off-Highway Equipment
- ♦ Golf Carts
- ♦ Lawn & Garden Equipment
- ♦ Marine
- ♦ Military



Carling Technologies®

Innovative Designs. Powerful Solutions.

Carling Technologies, Inc.
60 Johnson Avenue, Plainville, CT 06062
Email: sales@carlingtech.com
Application Support: team2@carlingtech.com
Phone: 860.793.9281 Fax: 860.793.9231

www.carlingtech.com

V-Charger

DESIGN FEATURES

DUAL USB 2.0 PORTS

Total current of 3.15 amps, facilitating faster charges

SPRING LOADED DOORS

Stylish, wing-shaped double doors automatically close to cover and seal each port when not in use

LED

Green LED brightens to indicate charging is in progress



SEALING PROTECTION

Silicone rubber seal perfectly mates with door indent to provide IP64 level of sealing protection

PANEL SEAL

Prevents water ingress beneath panel to protect critical connections

MOUNTING

Fits industry standard panel opening size of 1.450" x .830"

*Manufacturer reserves the right to change product specification without prior notice.

Electrical

| | |
|-----------------------------|---|
| USB Type | 2.0 |
| Number of USB Ports | 2 |
| Operating Voltage | 12V/24V DC power systems (9 to 29 VDC) |
| Output Voltage | 5 VDC \pm 5% |
| Max Output Current | 3.15A DC Total |
| Current Draw (No Load) | 12V: 0.8 mA, 24V: 1.9 mA |
| LED Indicator | Green LED brightens when charging is in progress. |
| Compatibility | Charges mobile devices including iPad, iPhone, iPod, HTC, Galaxy, Blackberry, MP3 Players, Digital Cameras and PDA's |
| Life | 10,000 operating cycles per port minimum |
| Terminals | Copper/silver plating 1/4" (6.3 mm) Quick Connect terminations |
| Reverse Polarity | Operational with correct polarity after reverse polarity exposure |
| ESD | 15kV air, 8 kV touch |
| Overcurrent Protection | Short Circuit |
| Thermal Overload Protection | Operation will cease if internal temperature reaches 125°C. Charging will resume after sufficient heat loss |

Physical

| | |
|-----------------------|--------------------------|
| Panel Opening | 1.450" x .830" |
| Panel Thickness | .030 - .156 inches |
| Panel Mounting Method | Front Panel Insertion |
| Seals | Silicone and Poron |
| Depth Behind Panel | See Figures 1 and 2 |
| Connection | VC1, VC2 |
| Weight | 55g (0.12 lbs) |
| Styling | Curved USB port doors |
| Port Protection | Twin, self-closing doors |

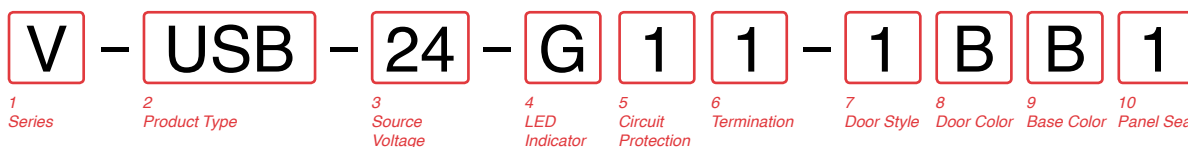
Environmental

| | |
|-----------------------|---|
| Sealing | IP64 for front panel components when USB Ports are covered |
| Operating Temperature | -40° to +60°C at 3.15A -40° to +70°C at 2.4A -40° to +80°C at 2.1A |
| Vibration 1 Test | Mil-Std 202G, Method 204D, Condition A. 0.06DA or 10G, 10-500 Hz |
| Shock Test | Mil-Std 202G, Method 213B, Condition K @ 30-G. No loss of circuit during test. |
| Chemical Splash | Brush method with USB doors closed: diesel, gasoline, brake fluid, Windex, Armor All |
| Thermal Shock | MIL-Std 202F, Method 107D, Test Condition A, -55° to +85°C. Test Criteria: Remains functional without damage |
| Moisture Resistance | Mil-Std 202G, Method 106G. Test Criteria: Remains functional without damage |
| Thermal Cycling | 25 Cycles -40° to +85°C, 2 hours for each temperature every cycle |
| Salt Spray | Mil-Std 202G, Method 101E, Test Condition A |
| Dust | Mil-Std 841C Method 510.2 Air Velocity 300 \pm 200 Ft/min, test duration: 16 Hr |

Mechanical

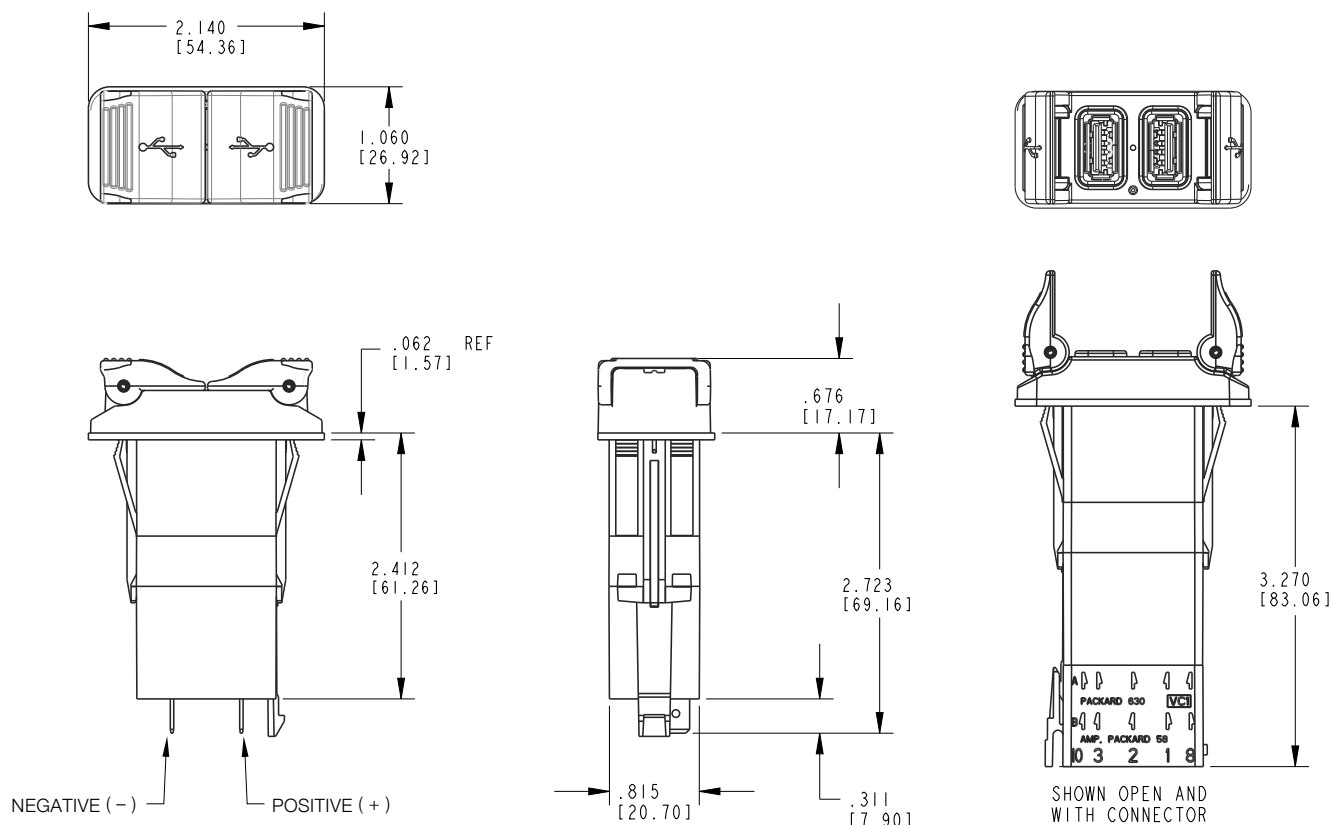
| | |
|-----------|----------------------------|
| Endurance | 10,000 door cycles minimum |
|-----------|----------------------------|

Ordering Scheme



| | |
|--|---|
| 1 SERIES V | 6 TERMINATION 1 .250 Tab |
| 2 PRODUCT TYPE USB Charger | 7 DOOR STYLE 1 Curved |
| 3 SOURCE VOLTAGE 24 24 / 12 Volts DC | 8 DOOR COLOR B Black |
| 4 LED INDICATOR (VOLTAGE MATCHES SOURCE) G Green | 9 FRAME COLOR B Black |
| 5 CIRCUIT PROTECTION 1 Reverse Polarity, Thermal Overload & Overcurrent | 10 PANEL SEAL 1 Yes |

Dimensional Specifications: in. [mm]



Notes:
 1 Charger to install into 1.450" X 0.830" panel opening

Authorized Sales Representatives and Distributors

Click on a region of the map below to find your local representatives and distributors or visit www.carlingtech.com/findarep.



About Carling

Founded in 1920, Carling Technologies is a leading manufacturer of electrical and electronic switches and assemblies, circuit breakers, electronic controls, power distribution units, and multiplexed power distribution systems. With four ISO registered manufacturing facilities and technical sales offices worldwide, Carling Technologies Sales, Service and Engineering teams do much more than manufacture electrical components, they engineer powerful solutions! To learn more about Carling please visit www.carlingtech.com/company-profile.

To view all of Carling's environmental, quality, health & safety certifications please visit www.carlingtech.com/environmental-certifications

Worldwide Headquarters

Carling Technologies, Inc.
60 Johnson Avenue, Plainville, CT 06062
Phone: 860.793.9281 **Fax:** 860.793.9231
Email: sales@carlingtech.com

Northern Region Sales Office: nrsm@carlingtech.com
Southeast Region Sales Office: sersm@carlingtech.com
Midwest Region Sales Office: mrrsm@carlingtech.com
West Region Sales Office: wrsm@carlingtech.com
Latin America Sales Office: larsm@carlingtech.com

Asia-Pacific Headquarters

Carling Technologies, Asia-Pacific Ltd.,
Suite 1607, 16/F Tower 2, The Gateway,
Harbour City, 25 Canton Road,
Tsimshatsui, Kowloon, Hong Kong
Phone: Int + 852-2737-2277 **Fax:** Int + 852-2736-9332
Email: sales@carlingtech.com.hk

Shenzhen, China: shenzhen@carlingtech.com
Shanghai, China: shanghai@carlingtech.com
Pune, India: india@carlingtech.com
Kaohsiung, Taiwan: taiwan@carlingtech.com
Yokohama, Japan: japan@carlingtech.com

Europe | Middle East | Africa Headquarters

Carling Technologies LTD
4 Airport Business Park, Exeter Airport,
Clyst Honiton, Exeter, Devon, EX5 2UL, UK
Phone: Int + 44 1392.364422 **Fax:** Int + 44 1392.364477
Email: ltd.sales@carlingtech.com

Germany: gmbh@carlingtech.com
France: sas@carlingtech.com



Carling Technologies®

Innovative Designs. Powerful Solutions.