



Chipsmall Limited consists of a professional team with an average of over 10 year of expertise in the distribution of electronic components. Based in Hongkong, we have already established firm and mutual-benefit business relationships with customers from,Europe,America and south Asia,supplying obsolete and hard-to-find components to meet their specific needs.

With the principle of “Quality Parts,Customers Priority,Honest Operation,and Considerate Service”,our business mainly focus on the distribution of electronic components. Line cards we deal with include Microchip,ALPS,ROHM,Xilinx,Pulse,ON,Everlight and Freescale. Main products comprise IC,Modules,Potentiometer,IC Socket,Relay,Connector.Our parts cover such applications as commercial,industrial, and automotives areas.

We are looking forward to setting up business relationship with you and hope to provide you with the best service and solution. Let us make a better world for our industry!



## Contact us

Tel: +86-755-8981 8866 Fax: +86-755-8427 6832

Email & Skype: info@chipsmall.com Web: www.chipsmall.com

Address: A1208, Overseas Decoration Building, #122 Zhenhua RD., Futian, Shenzhen, China





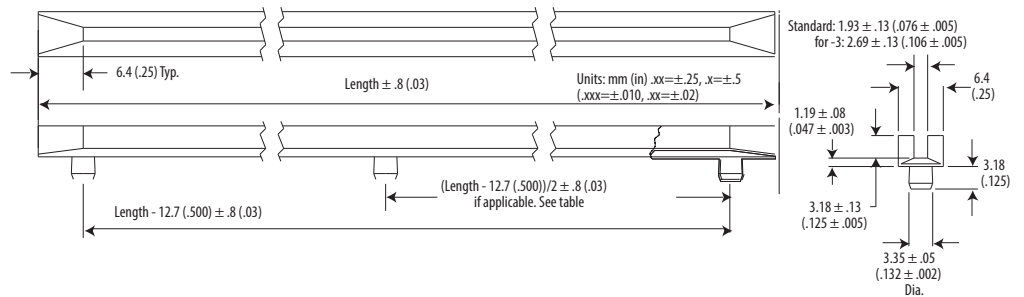
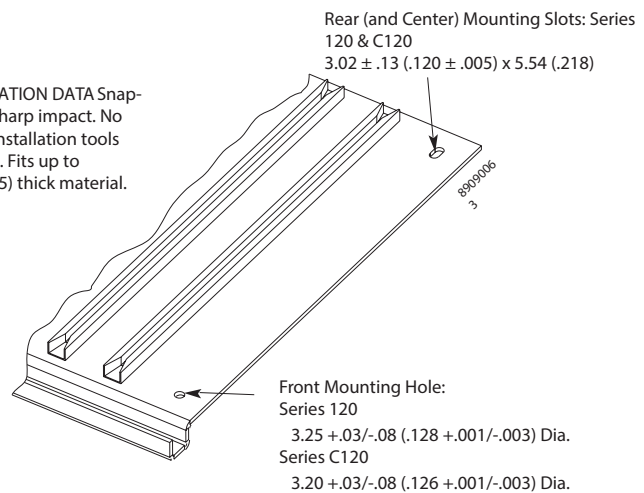
### MATERIALS

Nylon 6/6 or 6. Meets UL94V-2 self-extinguishing to flame or UL94V-0 (see part number configuration). May be used at 121°C (250°F) continuously. Resistant to alkalis, weak acids and common solvents. "C" Option 10% Graphite Filled Polycarbonate. Meets UL94V-2.

### /h[hw

Standard color is natural (white) for non conductive, and black for conductive "C" option. Other colors including black, brown, red, orange, yellow, green, blue, violet and grey available as custom parts.

**INSTALLATION DATA** Snap-in with sharp impact. No special installation tools required. Fits up to 1.91 (.075) thick material.



<b>Part Number Code</b> Series 120 Card Guide	C 120 - 400 X - 3
<b>Material</b> Conductive _____ C Non Conductive _____ [blank]	
<b>Length</b> 4.00" _____ 400 or choose from Length Table _____ xxx	
<b>Mounting Options</b> For lengths 7" or greater No mid-mounting hole _____ X Mid mounting hole included _____ [blank]	
<b>Board Thickness</b> 2.4 (.094) _____ 3 1.6 (.063) _____ [blank]	

### Part Number Code Example:

C120-850X-3  
Series 120 card guide, conductive, 216.9 (8.54) length, no center mounting, for PCB thickness of 2.4 (.094)

### LENGTH TABLE

Code	Length for Non Conductive	Length for Conductive ("C" Option)
400	101.6 (4.00)	102.1 (4.02)
600	152.4 (6.00)	153.2 (6.03)
700	177.8 (7.00)	178.8 (7.04)
850	215.9 (8.50)	216.9 (8.54)
950	215.9 (9.50)	242.6 (9.55)