



Chipsmall Limited consists of a professional team with an average of over 10 year of expertise in the distribution of electronic components. Based in Hongkong, we have already established firm and mutual-benefit business relationships with customers from,Europe,America and south Asia,supplying obsolete and hard-to-find components to meet their specific needs.

With the principle of “Quality Parts,Customers Priority,Honest Operation,and Considerate Service”,our business mainly focus on the distribution of electronic components. Line cards we deal with include Microchip,ALPS,ROHM,Xilinx,Pulse,ON,Everlight and Freescale. Main products comprise IC,Modules,Potentiometer,IC Socket,Relay,Connector.Our parts cover such applications as commercial,industrial, and automotives areas.

We are looking forward to setting up business relationship with you and hope to provide you with the best service and solution. Let us make a better world for our industry!



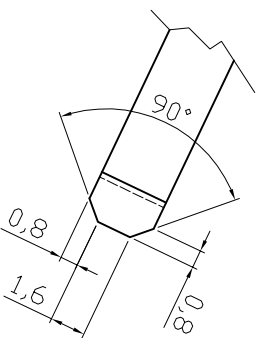
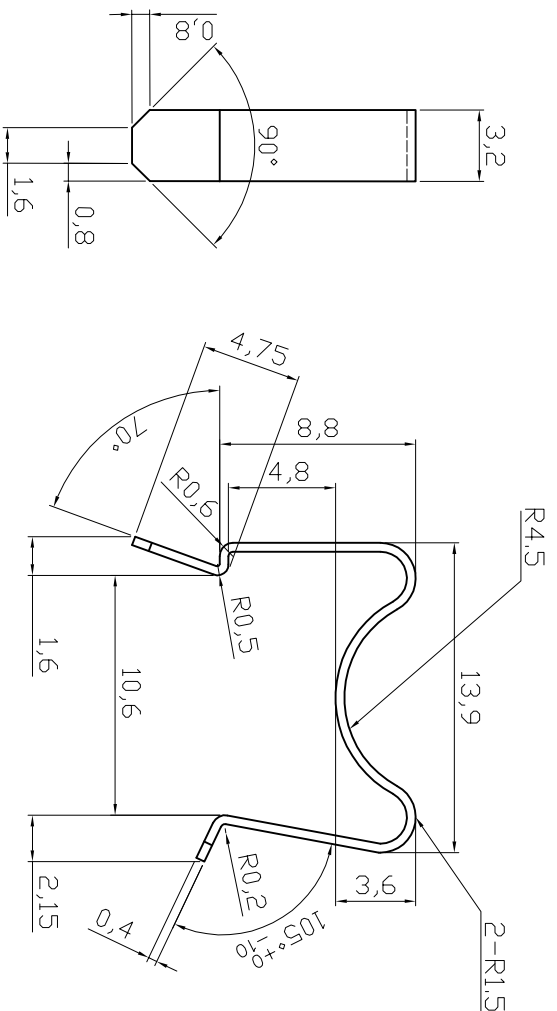
Contact us

Tel: +86-755-8981 8866 Fax: +86-755-8427 6832

Email & Skype: info@chipsmall.com Web: www.chipsmall.com

Address: A1208, Overseas Decoration Building, #122 Zhenhua RD., Futian, Shenzhen, China





Material :SUS 301 T0.4mm
 HV380 degreee
 Finished: Clean
 Ⓞ Clip for V8502

RoHS compliant
 Unit: mm

Scale	Free								
TOLERANCE									
UNIT	±0,5								
		①	Add note	08.07.2016	Amy	Drawn	02.08.2006	Storb	
		③	Modify drawing layout	10.03.2010	Alex	Approved	08.07.2016	Amy	
		②	Update	11.08.2009	Dean				
DIM	TOL	①	Drawn	02.08.2006	Storb				
X. °	±X°								
X.X°	±X°								
Angle	TOL								



Customer-No. ASSMANN WSW-No. V08HK
 Drawing-No. ASS 0611 HS
 rev04
 Sheet

1	2	3	4	5	6	7	A
1	2	3	4	5	6	7	A
1	2	3	4	5	6	7	B
1	2	3	4	5	6	7	C
1	2	3	4	5	6	7	D
1	2	3	4	5	6	7	E
1	2	3	4	5	6	7	F
1	2	3	4	5	6	7	G
1	2	3	4	5	6	7	H