



Chipsmall Limited consists of a professional team with an average of over 10 year of expertise in the distribution of electronic components. Based in Hongkong, we have already established firm and mutual-benefit business relationships with customers from,Europe,America and south Asia,supplying obsolete and hard-to-find components to meet their specific needs.

With the principle of “Quality Parts,Customers Priority,Honest Operation,and Considerate Service”,our business mainly focus on the distribution of electronic components. Line cards we deal with include Microchip,ALPS,ROHM,Xilinx,Pulse,ON,Everlight and Freescale. Main products comprise IC,Modules,Potentiometer,IC Socket,Relay,Connector.Our parts cover such applications as commercial,industrial, and automotives areas.

We are looking forward to setting up business relationship with you and hope to provide you with the best service and solution. Let us make a better world for our industry!



Contact us

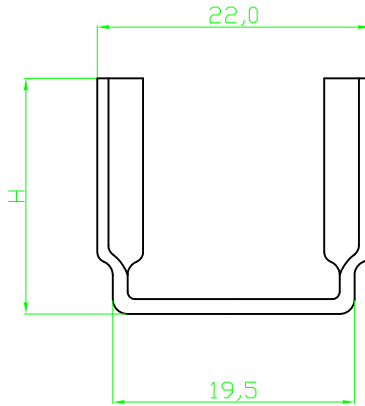
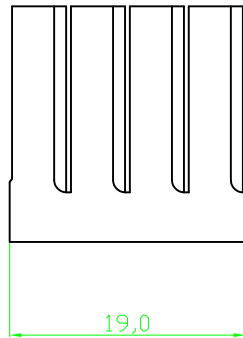
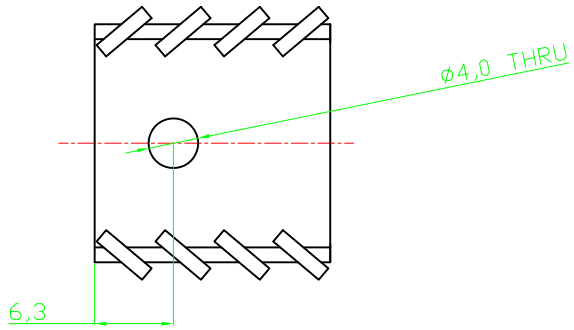
Tel: +86-755-8981 8866 Fax: +86-755-8427 6832

Email & Skype: info@chipsmall.com Web: www.chipsmall.com

Address: A1208, Overseas Decoration Building, #122 Zhenhua RD., Futian, Shenzhen, China



RoHS compliant



Material : AL 1050 T=1.5mm
Finished : Black Anodize

No.	mm	H	Thermal resistance(K/W)
V2003W		11.0	30
V2003X		19.0	22

Scale	FREE	Date	11.08.2009	Name	Dean	Customer-No.	
TOLERANCE		Drawn	11.08.2009	Approved	10.03.2010	ASSMANN WSW-No.	V2003x
UNIT	$\pm X$	Modify drawing layout	10.03.2010	Drawn	11.08.2009	Drawing-No.	ASS 0845 HS
							rev02
							Sheet
DIM	TOL	Id.	Modification	Date	Name	Replace	
X.°	$\pm X^\circ$	②	Modify drawing layout	10.03.2010	Alex		
X.X°	$\pm X^\circ$	①	Drawn	11.08.2009	Dean		
Angle	TOL						



Date	11.08.2009	Name	Dean	Customer-No.	
Drawn	11.08.2009	Approved	10.03.2010	ASSMANN WSW-No.	V2003x
Modify drawing layout	10.03.2010	Drawn	11.08.2009	Drawing-No.	ASS 0845 HS
					rev02
					Sheet