



Chipsmall Limited consists of a professional team with an average of over 10 year of expertise in the distribution of electronic components. Based in Hongkong, we have already established firm and mutual-benefit business relationships with customers from,Europe,America and south Asia,supplying obsolete and hard-to-find components to meet their specific needs.

With the principle of “Quality Parts,Customers Priority,Honest Operation,and Considerate Service”,our business mainly focus on the distribution of electronic components. Line cards we deal with include Microchip,ALPS,ROHM,Xilinx,Pulse,ON,Everlight and Freescale. Main products comprise IC,Modules,Potentiometer,IC Socket,Relay,Connector.Our parts cover such applications as commercial,industrial, and automotives areas.

We are looking forward to setting up business relationship with you and hope to provide you with the best service and solution. Let us make a better world for our industry!



Contact us

Tel: +86-755-8981 8866 Fax: +86-755-8427 6832

Email & Skype: info@chipsmall.com Web: www.chipsmall.com

Address: A1208, Overseas Decoration Building, #122 Zhenhua RD., Futian, Shenzhen, China



1 2 3 4 5 6 7

A

B

C

D

E

F

G

H

A

B

C

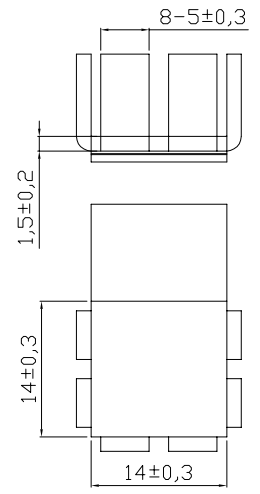
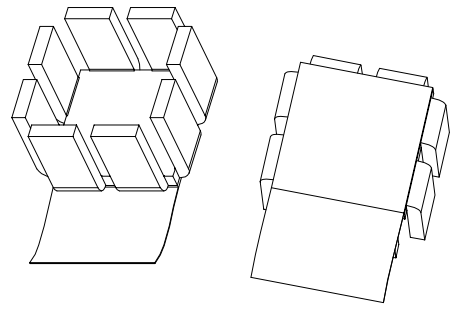
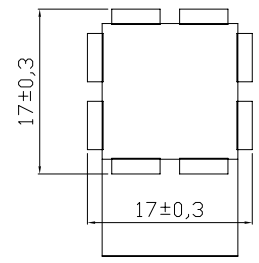
D

E

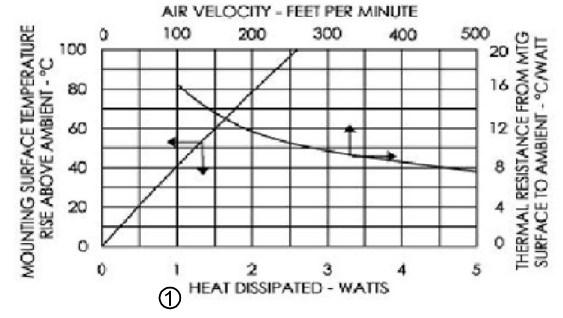
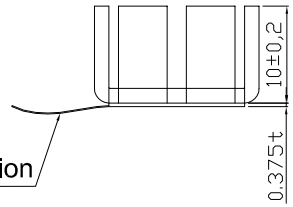
F

G

H



Foil IT-738 Option
Size:14x14mm



Notes:
Material: AL 1050
Finish: Nature anodized
② Recommended IC size: ≤10x10mm
Recommended IC power: ≤1.5W

WSW order code:
V2198N1: w/o foil
V2198N1-F: with foil

RoHS compliant
Unit: mm

Scale	Free						Date	Name	Customer-No.
③	TOLERANCE						Drawn	25.01.2016	Amy
	Less 10	±0.10							
	10~30	±0.20	③	Update tolerance	29.05.2018	Segal	Approved	29.05.2018	Amy
	31~50	±0.30	②	Add IC size and power in notes	22.05.2018	Amy			
	51~120	±0.50	①	Add thermal resistance graph	19.02.2016	Amy			
	DIM	Tol	④	Drawn	25.01.2016	Amy			
	Angle	±1°	Id.	Modification	Date	Name			



ASSMANN WSW-No.		V2198N1-x
Drawing-No.		
ASS 4261 HS	rev03	
Replace	Sheet	1 / 2

1 2 3 4 5 6 7

A	IT-738 Thermally Conductive Attachment Tape						A
	Item	IT-738	Test Method				
	Color	White	Visual				
B	Thickness	0.375mm	ASTM D374			B	
	Thickness tolerance	±10%	/				
	Construction & Composition	High performance Ceramic filled acrylic pressure-sensitive adhesive		Visual			
C	Thermal Conductivity (W/mk)	1.2	ASTM D5470			C	
	Peel Strength 90° on aluminum	3000 g	ASTM D1000				
D	Holding Power 1kg@Room Temp using 1 in ²	1 week PASS	PSTC-107			D	
	Dielectric Strength	668 Volts/mil	ASTM D-149				
	Holding Power 500g@70°C using 1 in ²	1 week PASS	PSTC-107				
E	Continuous Use Temp	-30°C to 150°C	/			E	
	Voltage Breakdown	>5KV	SSTM D149				
	RoHS Compliant	YES	SGS				
F	REACH Compliant	YES	SGS			F	
	Flammability Rating	V-0	UL 94				

RoHS compliant
Unit: mm

G	Scale	Free					Date	Name	Customer-No.	G		
	③ TOLERANCE						Drawn	25.01.2016	Amy			
	Less 10	±0.10										
	10~30	±0.20	③	Update tolerance	29.05.2018	Segal	Approved	29.05.2018	Amy	ASSMANN WSW-No. V2198N1-x		
	31~50	±0.30	②	Add IC size and power in notes	22.05.2018	Amy						
	51~120	±0.50	①	Add thermal resistance graph	19.02.2016	Amy				Drawing-No.		
H	DIM	Tol	①						ASSMANN	ASS 4261 HS	rev03	H
			②	Drawn	25.01.2016	Amy			WSW components	Replace	Sheet 2 / 2	
	Angle	±1°	Id.	Modification	Date	Name						