



Chipsmall Limited consists of a professional team with an average of over 10 year of expertise in the distribution of electronic components. Based in Hongkong, we have already established firm and mutual-benefit business relationships with customers from,Europe,America and south Asia,supplying obsolete and hard-to-find components to meet their specific needs.

With the principle of “Quality Parts,Customers Priority,Honest Operation,and Considerate Service”,our business mainly focus on the distribution of electronic components. Line cards we deal with include Microchip,ALPS,ROHM,Xilinx,Pulse,ON,Everlight and Freescale. Main products comprise IC,Modules,Potentiometer,IC Socket,Relay,Connector.Our parts cover such applications as commercial,industrial, and automotives areas.

We are looking forward to setting up business relationship with you and hope to provide you with the best service and solution. Let us make a better world for our industry!



Contact us

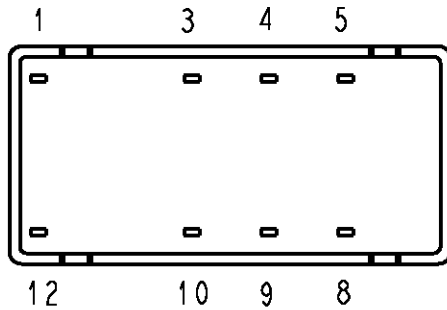
Tel: +86-755-8981 8866 Fax: +86-755-8427 6832

Email & Skype: info@chipsmall.com Web: www.chipsmall.com

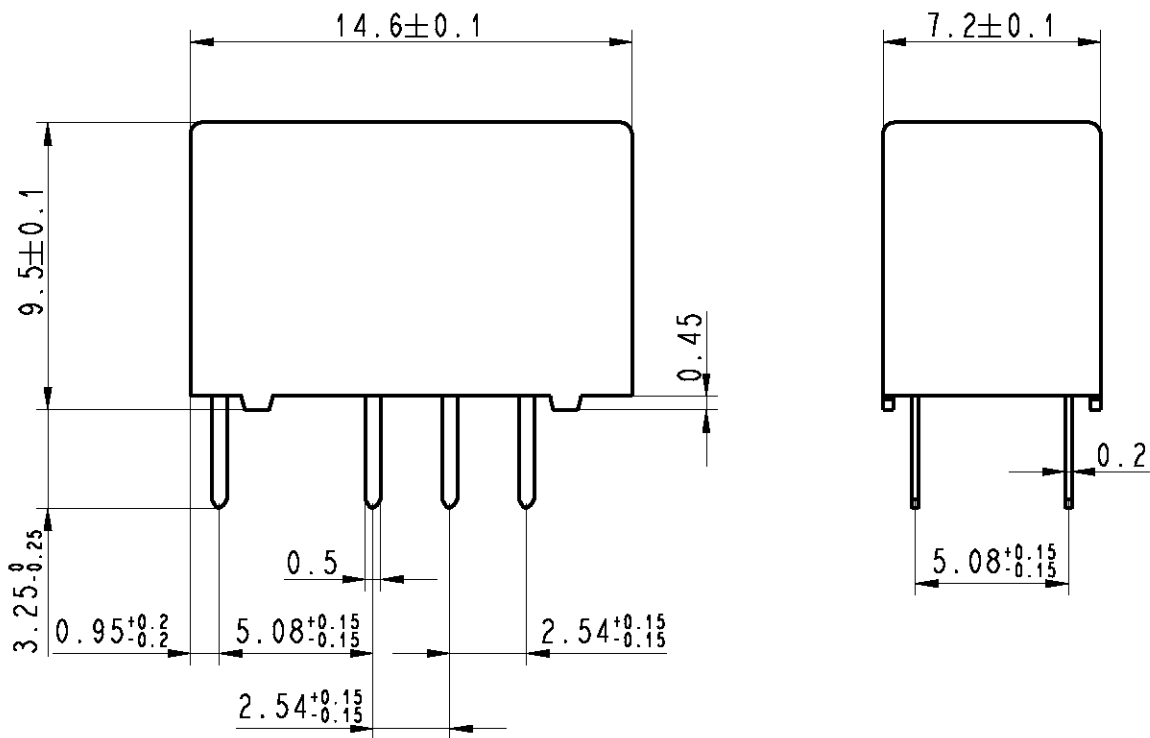
Address: A1208, Overseas Decoration Building, #122 Zhenhua RD., Futian, Shenzhen, China



LOC	DIST	REVISIONS					
HJ	-	P	LTR	DESCRIPTION	DATE	DWN	APVD
			C2	REVISED PER ECO-11-005150	25MAR11	RK	HMR



Relay - bottom view



xx = Relay type
YYWD = Date code

DRAWING ALIAS C23303-A079-A001

RELEASED FOR PUBLICATION

ALL RIGHTS RESERVED.

THIS DRAWING IS UNPUBLISHED.

BY -
© COPYRIGHT

DIMENSIONS: mm	DWN	Korytak	02Jun2004	MATERIAL	-	FINISH	-
	CHK	Korytak	02Jun2004				
TOLERANCES UNLESS OTHERWISE SPECIFIED: DIN 7168-m	APVD	Korytak	02Jun2004				
0 PLC ±-	PRODUCT SPEC	-					
1 PLC ±	APPLICATION SPEC	-					
2 PLC ±	WEIGHT	-					
3 PLC ±	CUSTOMER DRAWING	SCALE		SHEET		REV	
4 PLC ±		A4	00779	C-	1393789-2	4:1	1 OF 1
ANGLES ±-							C2