



Chipsmall Limited consists of a professional team with an average of over 10 year of expertise in the distribution of electronic components. Based in Hongkong, we have already established firm and mutual-benefit business relationships with customers from,Europe,America and south Asia,supplying obsolete and hard-to-find components to meet their specific needs.

With the principle of “Quality Parts,Customers Priority,Honest Operation,and Considerate Service”,our business mainly focus on the distribution of electronic components. Line cards we deal with include Microchip,ALPS,ROHM,Xilinx,Pulse,ON,Everlight and Freescale. Main products comprise IC,Modules,Potentiometer,IC Socket,Relay,Connector.Our parts cover such applications as commercial,industrial, and automotives areas.

We are looking forward to setting up business relationship with you and hope to provide you with the best service and solution. Let us make a better world for our industry!



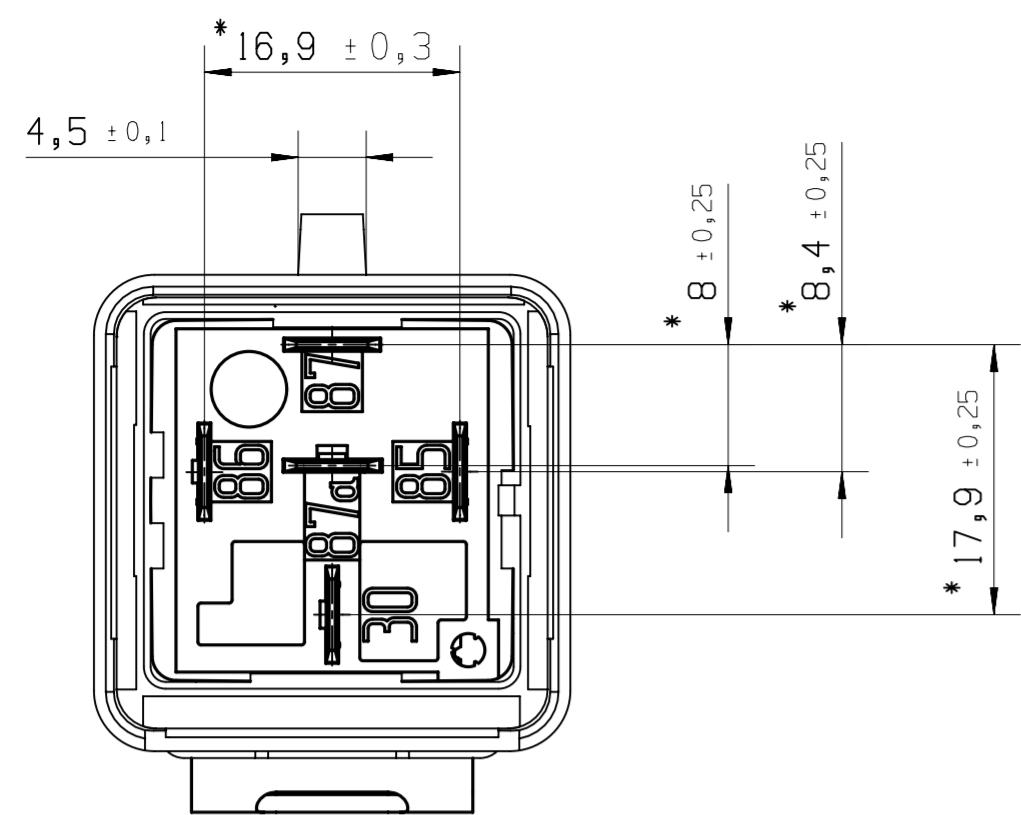
Contact us

Tel: +86-755-8981 8866 Fax: +86-755-8427 6832

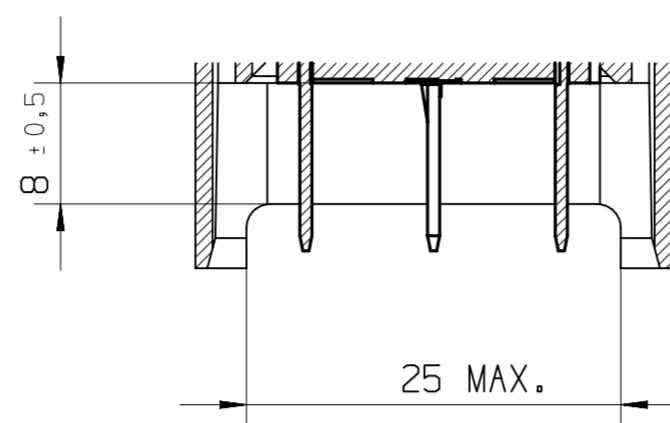
Email & Skype: info@chipsmall.com Web: www.chipsmall.com

Address: A1208, Overseas Decoration Building, #122 Zhenhua RD., Futian, Shenzhen, China

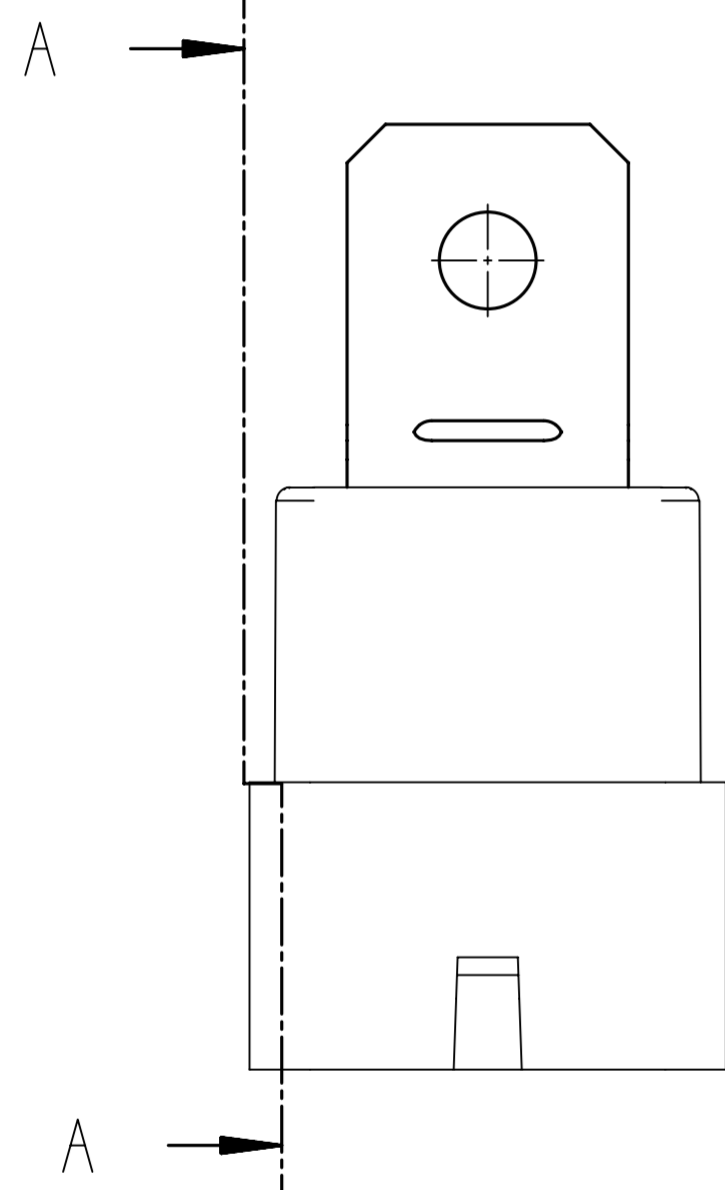
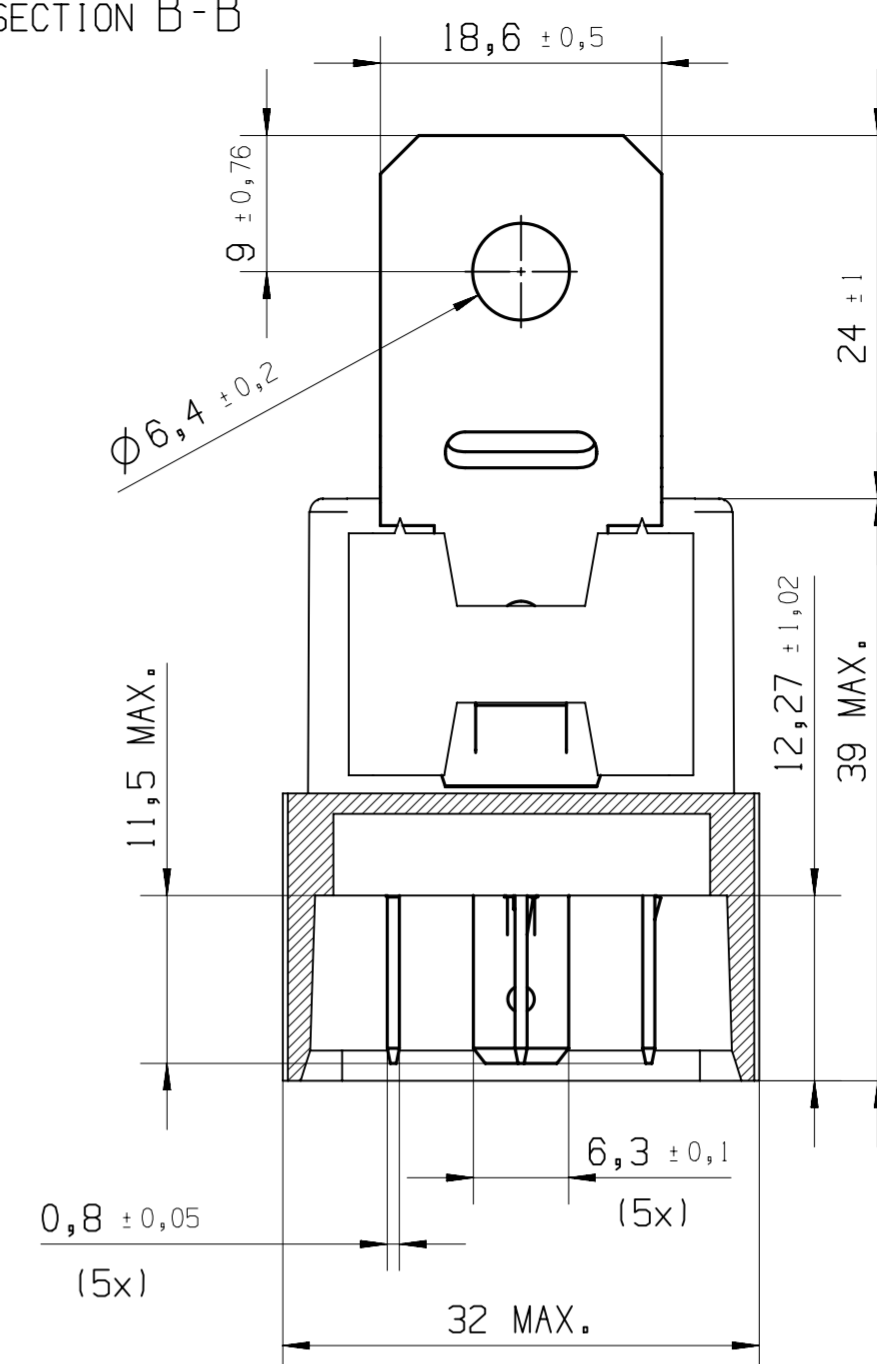




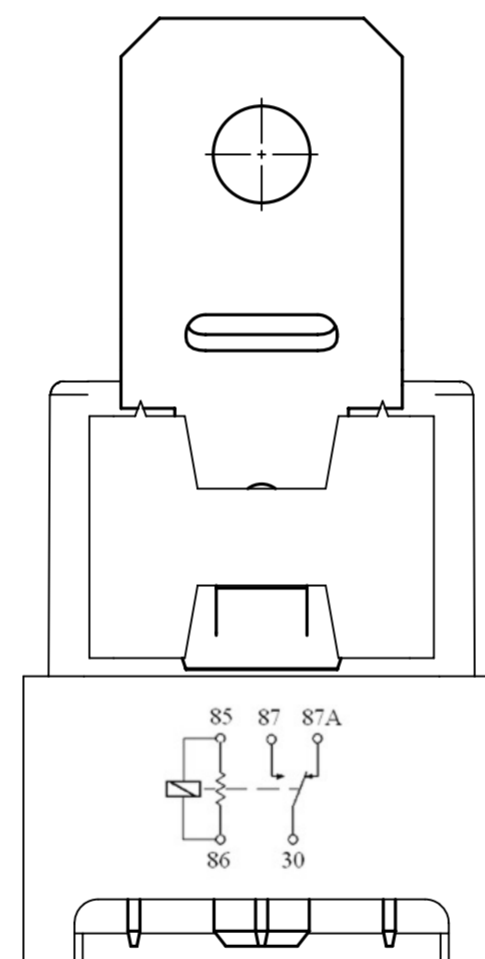
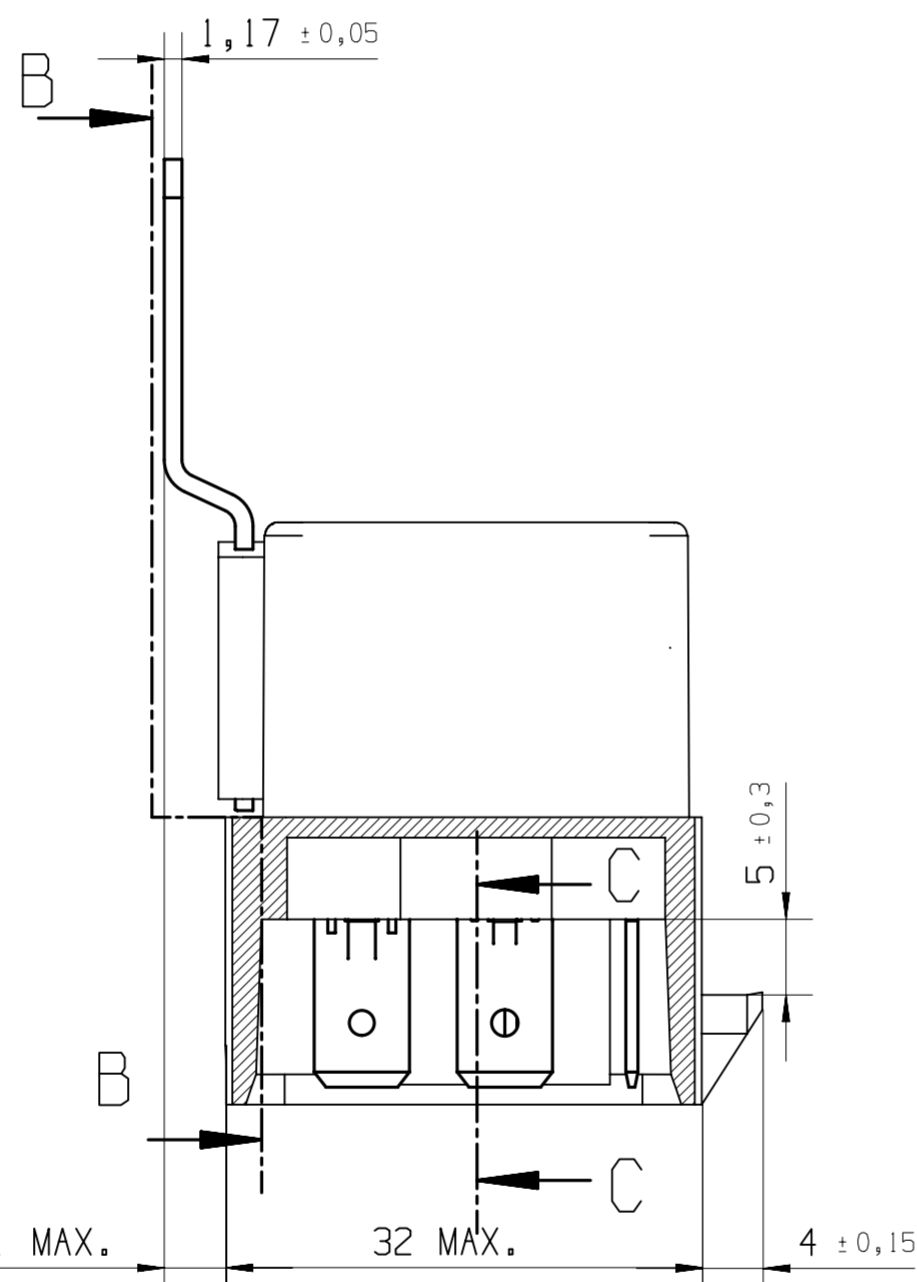
SECTION C-C



SECTION B-B

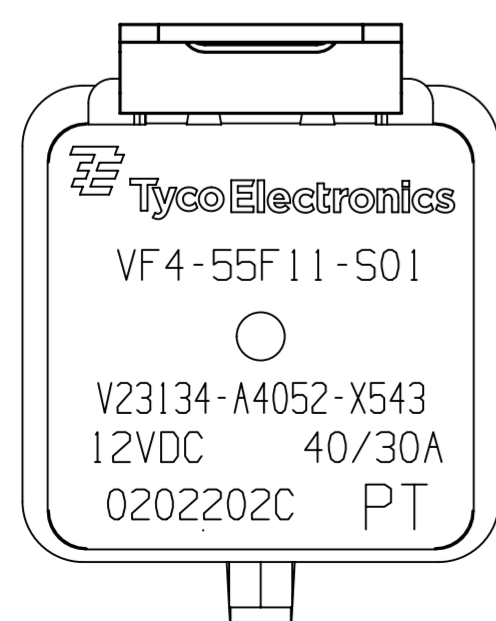


SECTION A-A

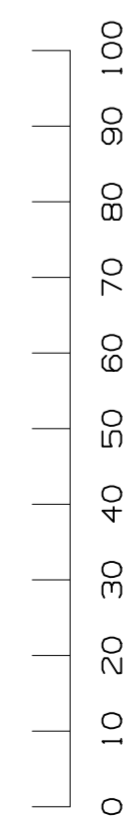


* TERMINAL LOCATIONS APPLY AT THE BASE OF THE TERMINAL

MARKING LASER MARKED OR WITH INK PRINTED OR INJECTION MOLDED TO INCLUDE: MANUFACTURER'S NAME, MANUFACTURER'S PART NUMBER, SCHEMATIC, COIL VOLTAGE, CONTACT RATING, COUNTRY OF ORIGIN AND DATE CODE



TE P/N	PART NAME
2-1904131-9	V23134-A4052-X543



PROPRIETARY THE REPRODUCTION, TRANSMISSION OR USE OF THIS DOCUMENT OR IT'S CONTENTS IS NOT PERMITTED WITHOUT EXPRESSED WRITTEN AUTHORITY. OFFENDERS WILL BE LIABLE FOR ALL DAMAGES. ALL RIGHTS, INCLUDING RIGHTS CREATED BY REGISTERED PATENT(S) GRANTED FOR A UTILITY MODEL OR DESIGN, ARE RESERVED.		CHANGES TO THIS DRAWING MUST BE DONE ONLY IN CAD	PAPER SIZE A2
APPLICABLE SPEC.: Replacement for VF4-55F11-S01		FINISH DIMENSIONS APPLY PLATING	SCALE 2:1
TOLERANCE UNLESS SPECIFIED OTHERWISE DIMENSIONS IN MM		MATERIAL	WEIGHT
DWN. APP. REV.	DATE 30NOV2016 21OCT2016	NAME L.Sandoval	PART NAME POWER F RELAY CHANGE OVER
LOCATION PE EVORA			DWG NO. C - V23134-A4052-X543
Initial Release ---	DATE 30NOV2016 21OCT2016	APP. L.Sand	SHT. 1 OF 1
REV. CHANGE ORDER			CUSTOMER DRAWING