



Chipsmall Limited consists of a professional team with an average of over 10 year of expertise in the distribution of electronic components. Based in Hongkong, we have already established firm and mutual-benefit business relationships with customers from,Europe,America and south Asia,supplying obsolete and hard-to-find components to meet their specific needs.

With the principle of “Quality Parts,Customers Priority,Honest Operation,and Considerate Service”,our business mainly focus on the distribution of electronic components. Line cards we deal with include Microchip,ALPS,ROHM,Xilinx,Pulse,ON,Everlight and Freescale. Main products comprise IC,Modules,Potentiometer,IC Socket,Relay,Connector.Our parts cover such applications as commercial,industrial, and automotives areas.

We are looking forward to setting up business relationship with you and hope to provide you with the best service and solution. Let us make a better world for our industry!



Contact us

Tel: +86-755-8981 8866 Fax: +86-755-8427 6832

Email & Skype: info@chipsmall.com Web: www.chipsmall.com

Address: A1208, Overseas Decoration Building, #122 Zhenhua RD., Futian, Shenzhen, China



Product Specification

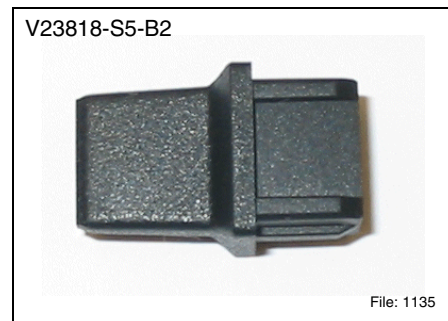
Cage EMI / Dust Plug for Small Form-factor Pluggable (SFP) Applications

V23818-S5-B1

V23818-S5-B2

DESIGN BENEFITS

- SFP MSA compliant¹⁾
- Prevents internal system component contamination
- Maintains system airflow requirements
- Silicon based material for
 - simplified “blind” insertion
 - improved retention in high vibration environments
 - secure fit in all cage designs
 - extended temperature performance
- Improves system EMI performance (V23818-S5-B1)



APPLICATIONS

- For use with Finisar V23838-S5-N1 / -N1-BB SFP cages
- Multi-port switches
- Unclean environments
- Any unused SFP ports

PRODUCT SELECTION

Part Number	Application
V23818-S5-B1	EMI / Dust Plug
V23818-S5-B2	Dust Plug

Notes:

1) Current MSA documentation can be found at <http://www.sffcommittee.org/ie>.

Package Outlines

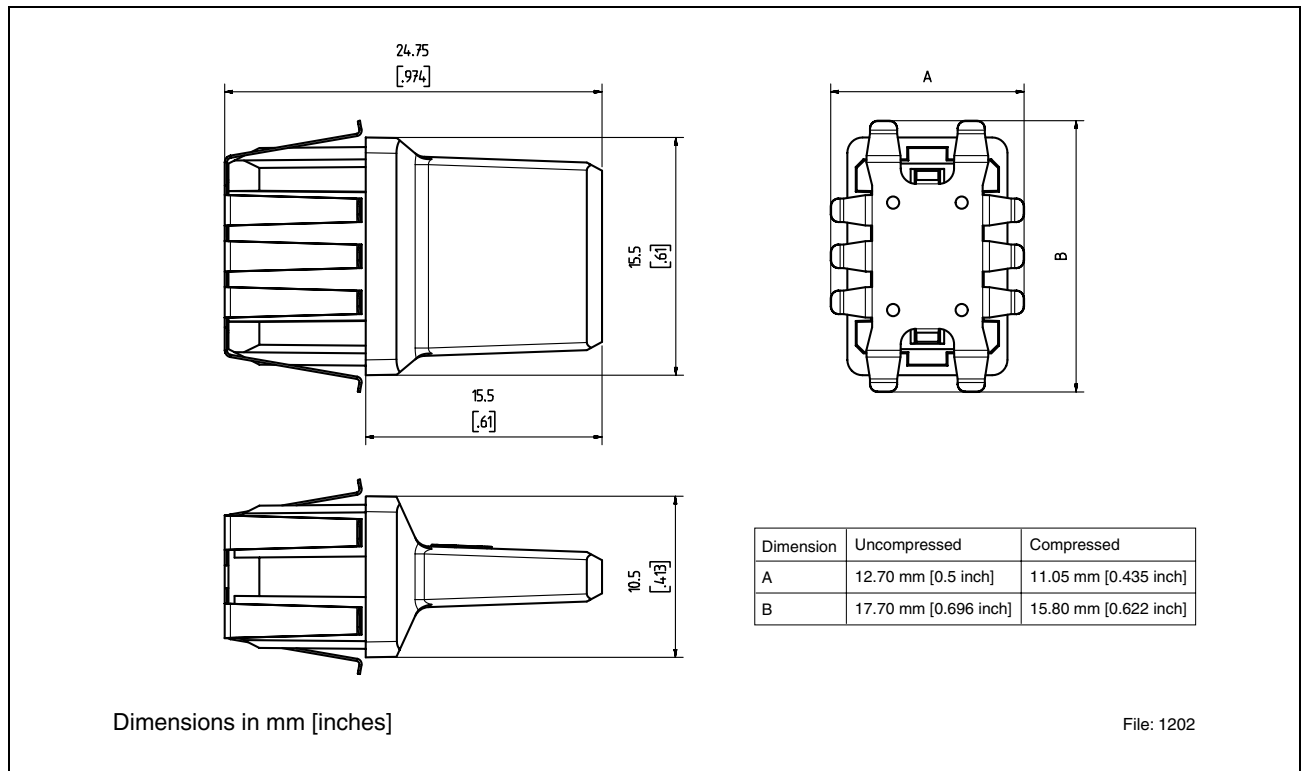


Figure 1 V23818-S5-B1

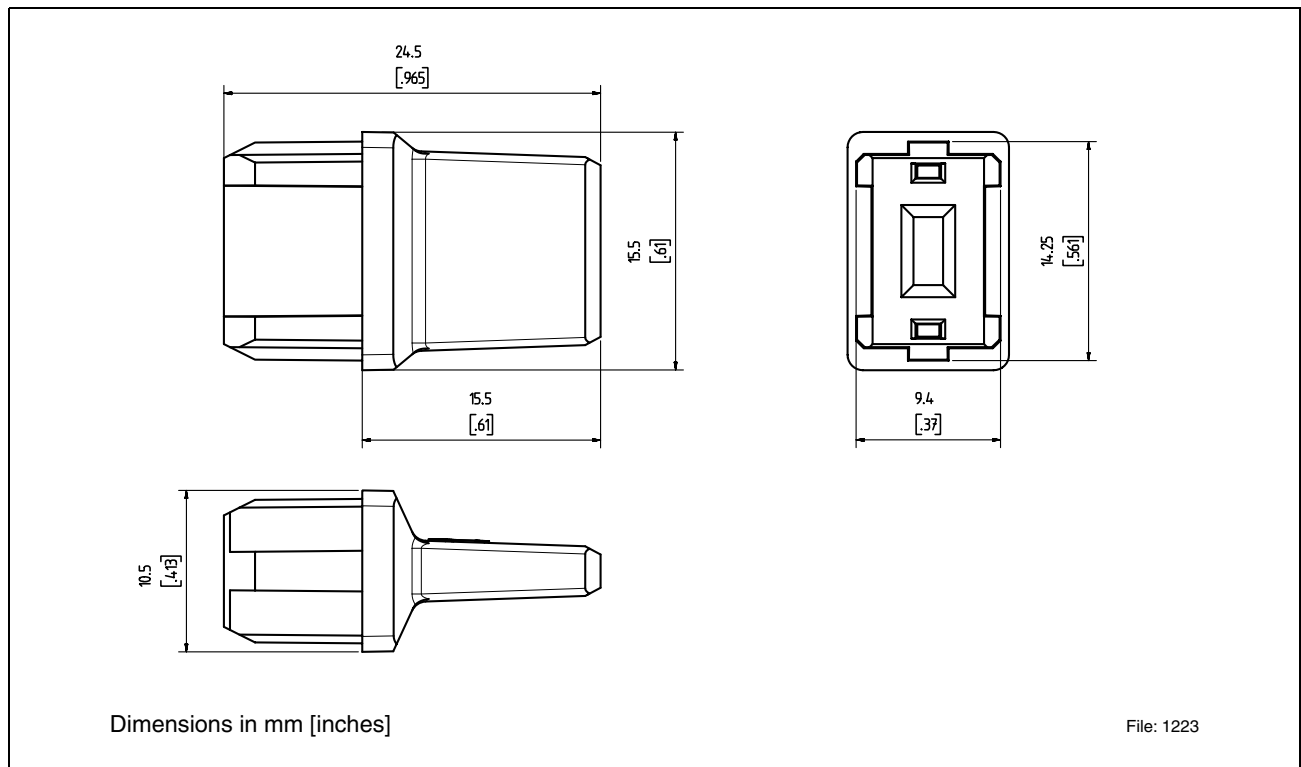


Figure 2 V23818-S5-B2

Revision History: March 17, 2004 Rev. C	
Previous Version: May 09, 2003	
Page	Subjects (major changes since last revision)
	Company name has been changed Document's layout has been changed December 2004

For More Information

Finisar Corporation
1308 Moffett Park Drive
Sunnyvale, CA 94089-1133
Tel. 1-408-548-1000
Fax 1-408-541-6138
sales@finisar.com
www.finisar.com