



Chipsmall Limited consists of a professional team with an average of over 10 year of expertise in the distribution of electronic components. Based in Hongkong, we have already established firm and mutual-benefit business relationships with customers from,Europe,America and south Asia,supplying obsolete and hard-to-find components to meet their specific needs.

With the principle of “Quality Parts,Customers Priority,Honest Operation,and Considerate Service”,our business mainly focus on the distribution of electronic components. Line cards we deal with include Microchip,ALPS,ROHM,Xilinx,Pulse,ON,Everlight and Freescale. Main products comprise IC,Modules,Potentiometer,IC Socket,Relay,Connector.Our parts cover such applications as commercial,industrial, and automotives areas.

We are looking forward to setting up business relationship with you and hope to provide you with the best service and solution. Let us make a better world for our industry!



Contact us

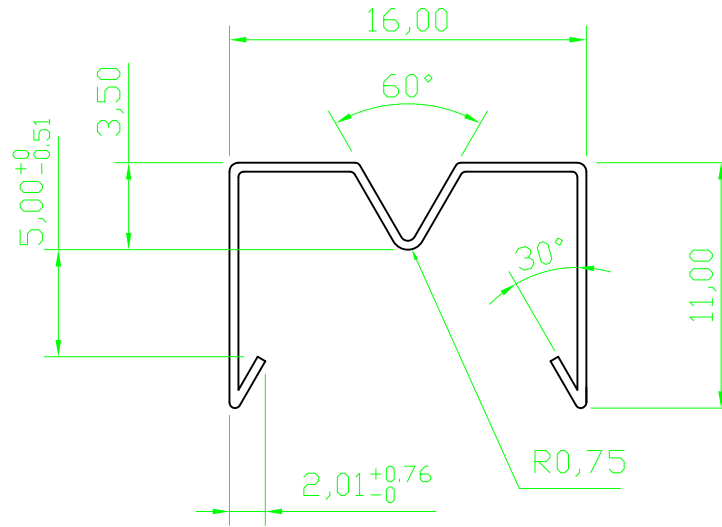
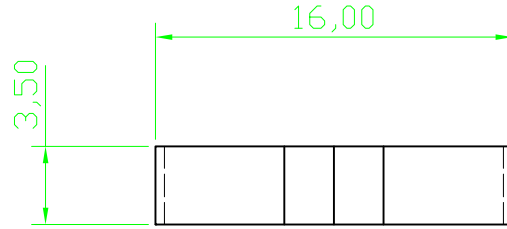
Tel: +86-755-8981 8866 Fax: +86-755-8427 6832

Email & Skype: info@chipsmall.com Web: www.chipsmall.com


Address: A1208, Overseas Decoration Building, #122 Zhenhua RD., Futian, Shenzhen, China



RoHS compliant



Material :SUS #301 0.4T
 Finished: Clean
 1000PCS=1BAG

Scale	1:1					Date	Name	Customer-No.		
TOLERANCE					Drawn	11.08.2009	Dean	ASSMANN WSW-No. V24HK		
UNIT	±0.25				Approved	10.03.2010	Andy			
DIM	TOL	②	Modify drawing layout	10.03.2010	Alex			Drawing-No.		
X.°	±X°	①	Drawn	11.08.2009	Dean			ASS 0886 HS		rev02
X.X°	±X°	Id.	Modification	Date	Name			Replace		Sheet
Angle	TOL									

1

2

3

4

5

6

7