



Chipsmall Limited consists of a professional team with an average of over 10 year of expertise in the distribution of electronic components. Based in Hongkong, we have already established firm and mutual-benefit business relationships with customers from,Europe,America and south Asia,supplying obsolete and hard-to-find components to meet their specific needs.

With the principle of “Quality Parts,Customers Priority,Honest Operation,and Considerate Service”,our business mainly focus on the distribution of electronic components. Line cards we deal with include Microchip,ALPS,ROHM,Xilinx,Pulse,ON,Everlight and Freescale. Main products comprise IC,Modules,Potentiometer,IC Socket,Relay,Connector.Our parts cover such applications as commercial,industrial, and automotives areas.

We are looking forward to setting up business relationship with you and hope to provide you with the best service and solution. Let us make a better world for our industry!



Contact us

Tel: +86-755-8981 8866 Fax: +86-755-8427 6832

Email & Skype: info@chipsmall.com Web: www.chipsmall.com

Address: A1208, Overseas Decoration Building, #122 Zhenhua RD., Futian, Shenzhen, China



MICRO SWITCH

FREERPORT ILLINOIS, U.S.A
A DIVISION OF HONEYWELL INC.
FED. MFG. CODE 91929

SWITCH - BASIC

CATALOG LISTING

V3-3057

CK-X3557

REPLACES X83370-V3

RELEASE NO. PR-14328

DRAWING NUMBER

ISSUE

CHECK

REVISIONS

CHECK

CHECK

CHECK

CHECK

CHECK

CHECK

CHECK

CHECK

CHECK

V3-3057

M

DRAWING NUMBER

ISSUE

CHECK

REVISIONS

CHECK

CHECK

CHECK

CHECK

CHECK

CHECK

CHECK

CHECK

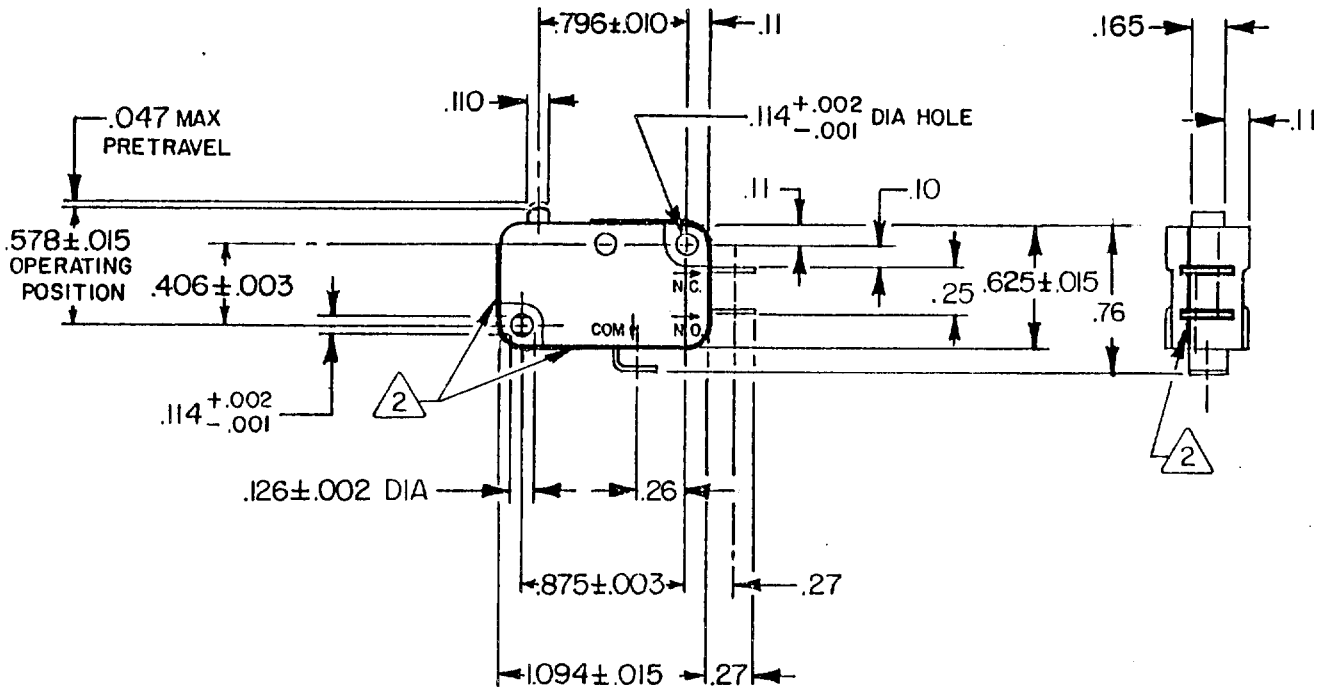
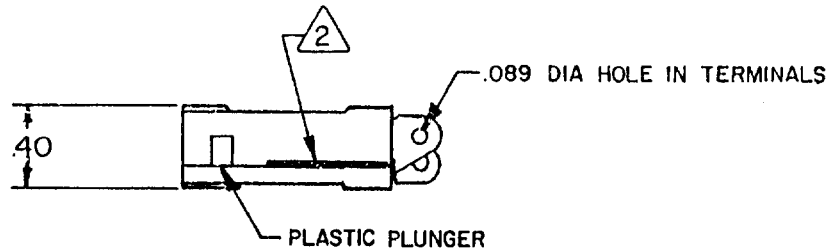
CHECK

CHECK

CHECK

CHECK

CHECK

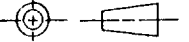


NOTES

- 1 - TERMINALS ARE PLATED FOR SOLDERING
- 2 EPOXY APPLIED AROUND TERMINAL AREA AND JOINT BETWEEN CASE AND COVER. EPOXY ON TOP OF THE SWITCH TO BE WIPED OFF FLUSH WITH CASE & COVER

THIS DRAWING COVERS A PROPRIETARY ITEM AND IS THE PROPERTY OF MICRO SWITCH, A DIVISION OF HONEYWELL. THIS DRAWING IS NOT TO BE COPIED OR USED WITHOUT THE APPROVAL OF MICRO SWITCH.

THIRD ANGLE PROJECTION



CHARACTERISTICS

OPERATING FORCE --- 150 GRAM MAX
RELEASE FORCE --- 15 GRAM MIN
DIFFERENTIAL TRAVEL --- .002-.010
OVERTRAVEL --- .050 MIN
FREE POSITION --- .625 MAX
RELEASE TRAVEL --- .010 MIN

ELECTRICAL DATA

CONTACT ARRANGEMENT
S P D T
L112
10A 1/3 HP 125 OR 250 VAC
1/2A 125 VDC, 1/4A 250 VDC
4A 125 VAC "L"



SCALE FULL

DO NOT SCALE PRINT

UNLESS OTHERWISE SPECIFIED TOLERANCES ARE
ONE PLACE (.0) ± .030
TWO PLACE (.00) ± .015
THREE PLACE (.000) ± .005
ANGLES ±
RAW MATERIAL - COMMERCIAL STANDARD
DIMENSIONS ARE IN INCHES AND ARE TO BE MET BEFORE PROTECTIVE COATINGS ARE APPLIED

MICRO SWITCH STANDARDS APPLY

WEIGHT .016 LB

FC-52848-B

DRAWN

NOV 85

NOV 85

NOV 85

NOV 85

NOV 85

NOV 85

NOV 85

NOV 85

NOV 85

NOV 85

NOV 85

NOV 85

NOV 85

NOV 85

NOV 85

NOV 85

NOV 85

NOV 85

NOV 85

NOV 85

NOV 85

NOV 85

NOV 85

NOV 85

NOV 85

NOV 85

NOV 85