



Chipsmall Limited consists of a professional team with an average of over 10 year of expertise in the distribution of electronic components. Based in Hongkong, we have already established firm and mutual-benefit business relationships with customers from,Europe,America and south Asia,supplying obsolete and hard-to-find components to meet their specific needs.

With the principle of “Quality Parts,Customers Priority,Honest Operation,and Considerate Service”,our business mainly focus on the distribution of electronic components. Line cards we deal with include Microchip,ALPS,ROHM,Xilinx,Pulse,ON,Everlight and Freescale. Main products comprise IC,Modules,Potentiometer,IC Socket,Relay,Connector.Our parts cover such applications as commercial,industrial, and automotives areas.

We are looking forward to setting up business relationship with you and hope to provide you with the best service and solution. Let us make a better world for our industry!



## Contact us

Tel: +86-755-8981 8866 Fax: +86-755-8427 6832

Email & Skype: info@chipsmall.com Web: www.chipsmall.com

Address: A1208, Overseas Decoration Building, #122 Zhenhua RD., Futian, Shenzhen, China



Low Cost, Ultra-Compact, Manual Swipe Reader

- Low power C-MOS technology
- Multiple configurations
- TTL-compatible interface (clock & data)
- Available with or without cover



## Ordering Information

Magnetic Tracks Supported (R, R/W)											
1	2	3	Center	JIS II	IC Contact	Interface	Cover	Cable	Color	Part Number	
R	R	R	—	—	No	TTL	Yes	No	Ivory	V3A-1K	
R	R	R	—	—	No	TTL	No	No	Ivory	V3A-1	
R	—	—	—	—	No	TTL	Yes	No	Ivory	V3A-3K	
R	—	—	—	—	No	TTL	No	No	Ivory	V3A-3	
—	R	—	—	—	No	TTL	Yes	No	Ivory	V3A-4K	
—	R	—	—	—	No	TTL	No	No	Ivory	V3A-4	
—	—	R	—	—	No	TTL	Yes	No	Ivory	V3A-5K	
—	—	R	—	—	No	TTL	No	No	Ivory	V3A-5	
R	R	—	—	—	No	TTL	Yes	No	Ivory	V3A-6K	
R	R	—	—	—	No	TTL	No	No	Ivory	V3A-6	
—	R	R	—	—	No	TTL	Yes	No	Ivory	V3A-7K	
—	R	R	—	—	No	TTL	No	No	Ivory	V3A-7	
R	R	R	—	—	No	TTL	Yes	No	Black	V3A-1KB	
R	R	R	—	—	No	TTL	No	No	Black	V3A-1B	
—	R	—	—	—	No	TTL	Yes	No	Black	V3A-4KB	
—	R	—	—	—	No	TTL	No	No	Black	V3A-4B	
R	R	—	—	—	No	TTL	Yes	No	Black	V3A-6KB	
R	R	—	—	—	No	TTL	No	No	Black	V3A-6B	
—	R	R	—	—	No	TTL	Yes	No	Black	V3A-7KB	
—	R	R	—	—	No	TTL	No	No	Black	V3A-7B	

Note: Cable harness is included with all V3B models. It is optional for V3A.

### ■ ACCESSORIES

Item	Part Number	
Cable harnesses	V3A-1	V3A/B-1 CN Harness
	V3A-3, 4, 5	V3A-4 CN Harness
	V3A-6, 7	V3A/B-6/7 CN Harness

## ■ TYPICAL APPLICATIONS

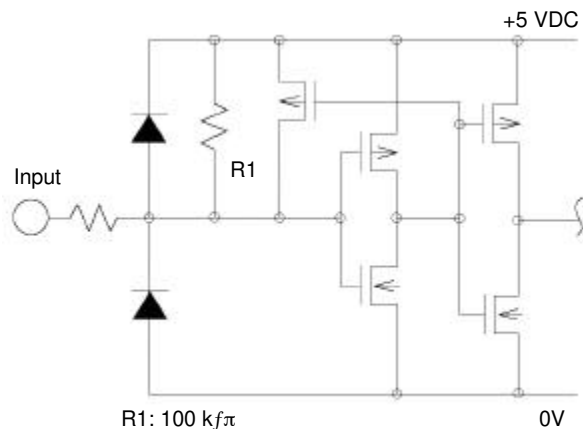
- Point-of Sale (POS) systems
- ID card checkers
- Club membership
- Access management
- Remote terminals for computers

## Specifications

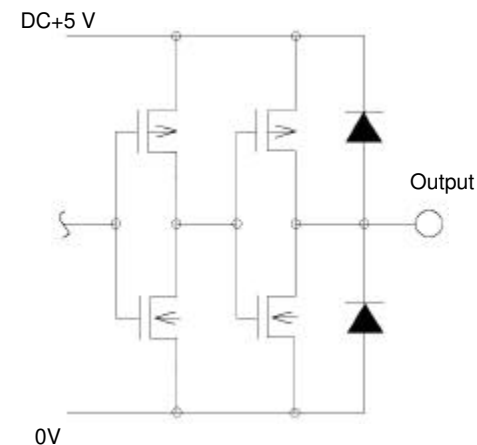
Part Number		V3A-□□
Recommended card type	Magnetic card	ISO 7810, 7811/1-6
Recording method		FM decoding (F2F)
Card feeding speed		10 to 120 cm/second (10 to 100 cm/sec triple track)
Service life of magnetic head		300,000 passes
Operating power supply		+5 VDC ±10%
Current consumption	Single track	3 mA typical, 5 mA maximum
	Dual track	6 mA typical, 10 mA maximum
	Triple track	9 mA typical, 15 mA maximum
Mounting location		Indoors—away from direct sunlight or wet, humid environment
Ambient temperature	Operation	-10° to 55°C (14°F to 131°F)
	Storage	-30° to 70°C (-22°F to 158°F)
Ambient humidity	Operation	30% to 85% RH
	Storage	20% to 90% RH
Vibration		10 to 150 Hz, single vibration width of 0.15 mm
Shock		Peak acceleration 19.6 m/sec <sup>2</sup>
Dimensions	With cover	90 W x 26.5 H x 28 D mm (3.54 W x 1.04 H x 1.10 D in)
	Without cover	90 W x 24 H x 24 D mm (3.54 W x 0.94 H x 0.94 D in)
Weight		Approx. 45g with cover (30g without cover)

## Engineering Data

### ■ INPUT CIRCUIT DIAGRAM



### ■ OUTPUT CIRCUIT DIAGRAM



## ■ I/O INFORMATION

### Single Track Connector

9-pin Molex connector part number 53261-0990. Applicable Molex socket housing part number 51021-0900.

Pin #	Signal	Input/Output	Description
1	0 V	—	—
2	+5 VDC	—	—
3	$\overline{\text{CSV}}$	Input	Current save
4	$\overline{\text{CLS}}$	Output	Card loaded
5	$\overline{\text{RCP}}$	Output	Read clock
6	$\overline{\text{RDP}}$	Output	Read data
7	Not used	—	—
8	Not used	—	—
9	Not used	—	—

### Double Track Connector

9-pin Molex connector part number 53261-0990. Applicable Molex socket housing part number 51021-0900.

Pin #	Signal	Input/Output	Description
1	0 V	—	—
2	+5 VDC	—	—
3	$\overline{\text{CSV}}$	Input	Current save
4	$\overline{\text{CLS2}}$	Output	Card loaded 2
5	$\overline{\text{RCP2}}$	Output	Read clock 2
6	$\overline{\text{RDP2}}$	Output	Read data 2
7	$\overline{\text{CLS1/3}}$	Output	Card loaded 1/3
8	$\overline{\text{RCP1/3}}$	Output	Read clock 1/3
9	$\overline{\text{RDP1/3}}$	Output	Read data 1/3

### Triple Track Connector

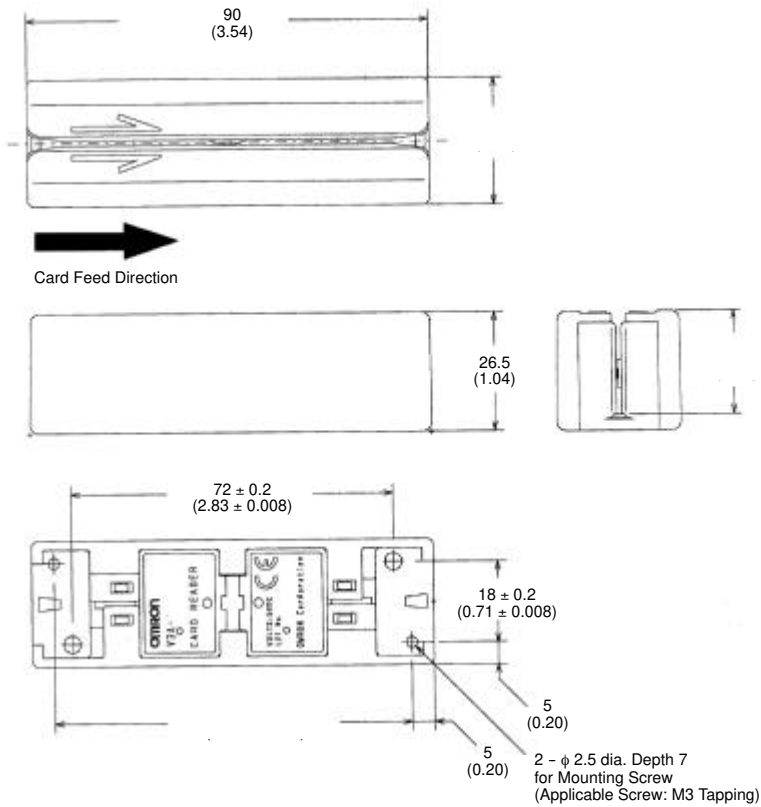
12-pin Molex connector part number 53048-1210. Applicable Molex socket housing part number 51021-1200.

Pin #	Signal	Input/Output	Description
1	0V	—	—
2	+5 VDC	—	—
3	$\overline{\text{CSV}}$	Input	Current save
4	$\overline{\text{CLS3}}$	Output	Card loaded 3
5	$\overline{\text{RCP3}}$	Output	Read clock 3
6	$\overline{\text{RDP3}}$	Output	Read data 3
7	$\overline{\text{CLS2}}$	Output	Card loaded 2
8	$\overline{\text{RCP2}}$	Output	Read clock 2
9	$\overline{\text{RDP2}}$	Output	Read data 2
10	$\overline{\text{CLS1}}$	Output	Card loaded 1
11	$\overline{\text{RCP1}}$	Output	Read clock 1
12	$\overline{\text{RDP1}}$	Output	Read data 1

# Dimensions

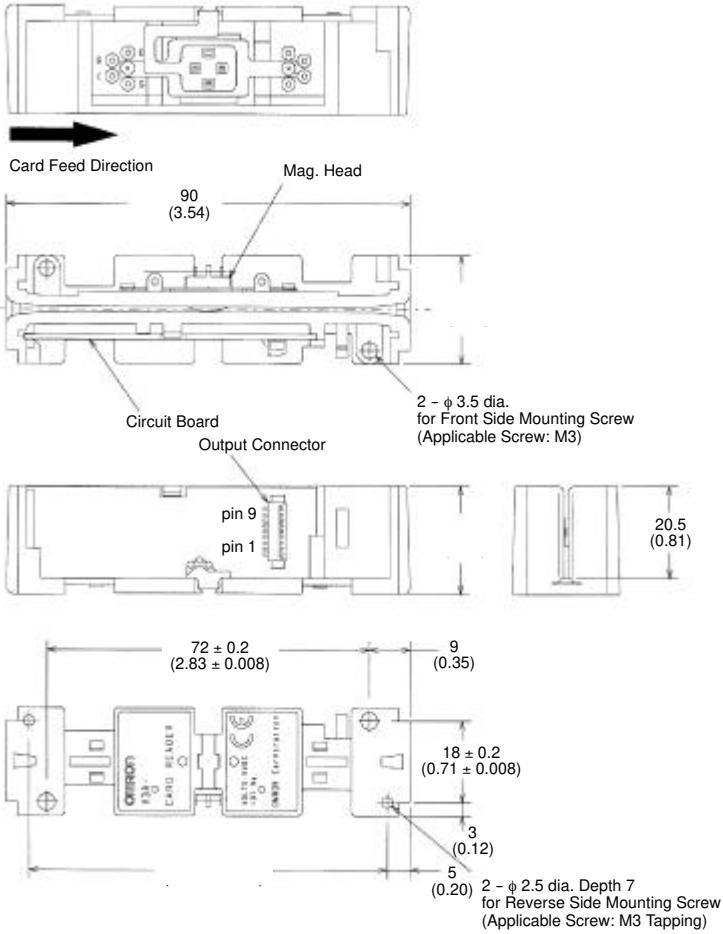
Unit: mm (inch)

## ■ V3A-4K



Note: Tolerances  $\pm 0.3$ mm unless specified

■ V3A-4



Note: Tolerances  $\pm$ 0.3mm unless specified

**NOTE: DIMENSIONS SHOWN ARE IN MILLIMETERS. To convert millimeters to inches divide by 25.4.**

**OMRON**<sup>®</sup>

**OMRON ELECTRONICS, INC.**

One East Commerce Drive  
Schaumburg, IL 60173

**1-800-55-OMRON**

**OMRON CANADA, INC.**

885 Milner Avenue  
Scarborough, Ontario M1B 5V8

**416-286-6465**