



Chipsmall Limited consists of a professional team with an average of over 10 year of expertise in the distribution of electronic components. Based in Hongkong, we have already established firm and mutual-benefit business relationships with customers from,Europe,America and south Asia,supplying obsolete and hard-to-find components to meet their specific needs.

With the principle of “Quality Parts,Customers Priority,Honest Operation,and Considerate Service”,our business mainly focus on the distribution of electronic components. Line cards we deal with include Microchip,ALPS,ROHM,Xilinx,Pulse,ON,Everlight and Freescale. Main products comprise IC,Modules,Potentiometer,IC Socket,Relay,Connector.Our parts cover such applications as commercial,industrial, and automotives areas.

We are looking forward to setting up business relationship with you and hope to provide you with the best service and solution. Let us make a better world for our industry!



## Contact us

Tel: +86-755-8981 8866 Fax: +86-755-8427 6832

Email & Skype: info@chipsmall.com Web: www.chipsmall.com

Address: A1208, Overseas Decoration Building, #122 Zhenhua RD., Futian, Shenzhen, China



V3L-2228

CATALOG LISTING

PAGE 1 OF 1

REPLACES

PR-7640

RELEASE NO.

**M**

ISSUE  
5

CHECK

REVISIONS

A CO 93070  
TSM  
6 AUG 98

B CO 93665  
TSM  
2 NOV 98

CHECK

6 AUG 98

J A F

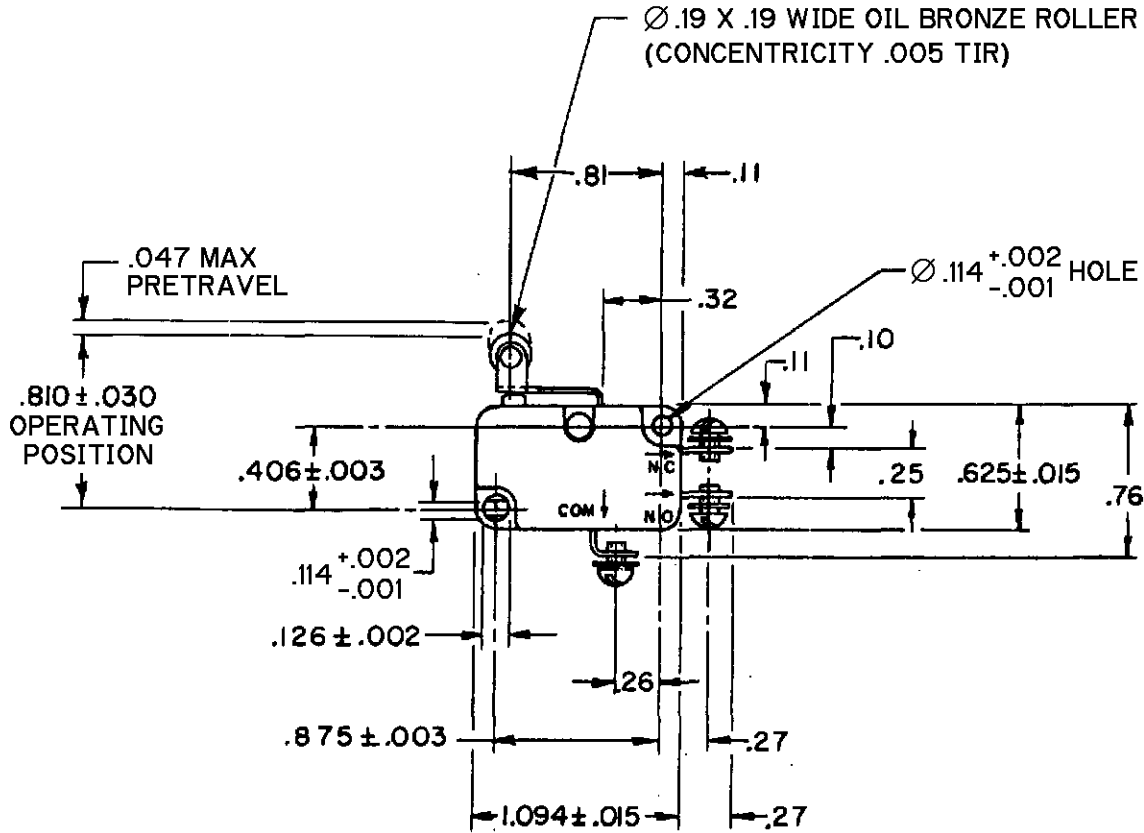
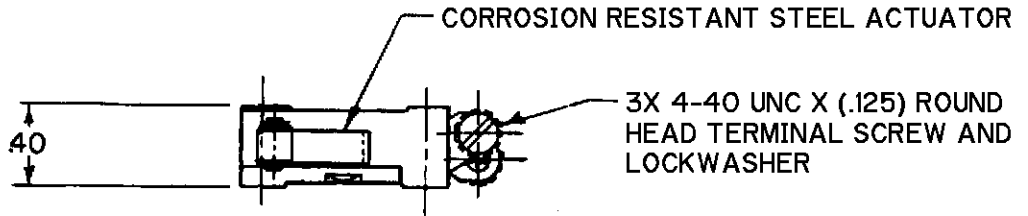
CHECK

6 AUG 98

FORMTEK

DRAWN

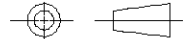
T S M



NOTE  
1 - SWITCH MARKING SHALL INCLUDE "FAA-PMA"

THIS DRAWING COVERS A PROPRIETARY ITEM AND IS THE PROPERTY OF MICRO SWITCH, A DIVISION OF HONEYWELL. THIS DRAWING IS NOT TO BE COPIED OR USED WITHOUT THE APPROVAL OF MICRO SWITCH.

THIRD ANGLE PROJECTION



CHARACTERISTICS
OPERATING FORCE - - - - - 50 GRAM MAX
RELEASE FORCE - - - - - 5 GRAM MIN
DIFFERENTIAL TRAVEL - - - - .013 MAX
OVERTRAVEL - - - - - .045 MIN
RELEASE TRAVEL - - - - - .007 MIN

ELECTRICAL DATA

CONTACT ARRANGEMENT  
**S P D T**

L131

10A-1/4HP-125 OR 250 VAC  
1/2A-125 VDC; 1/4A-250 VDC  
3A-125 VAC "L"

SCALE **FULL** DO NOT SCALE PRINT

UNLESS OTHERWISE SPECIFIED TOLERANCES ARE

ONE PLACE (.0)	±.030
TWO PLACE (.00)	±.015
THREE PLACE (.000)	±.005
ANGLES	±

WEIGHT

