



Chipsmall Limited consists of a professional team with an average of over 10 year of expertise in the distribution of electronic components. Based in Hongkong, we have already established firm and mutual-benefit business relationships with customers from,Europe,America and south Asia,supplying obsolete and hard-to-find components to meet their specific needs.

With the principle of "Quality Parts,Customers Priority,Honest Operation,and Considerate Service",our business mainly focus on the distribution of electronic components. Line cards we deal with include Microchip,ALPS,ROHM,Xilinx,Pulse,ON,Everlight and Freescale. Main products comprise IC,Modules,Potentiometer,IC Socket,Relay,Connector.Our parts cover such applications as commercial,industrial, and automotives areas.

We are looking forward to setting up business relationship with you and hope to provide you with the best service and solution. Let us make a better world for our industry!



## Contact us

Tel: +86-755-8981 8866 Fax: +86-755-8427 6832

Email & Skype: info@chipsmall.com Web: www.chipsmall.com

Address: A1208, Overseas Decoration Building, #122 Zhenhua RD., Futian, Shenzhen, China

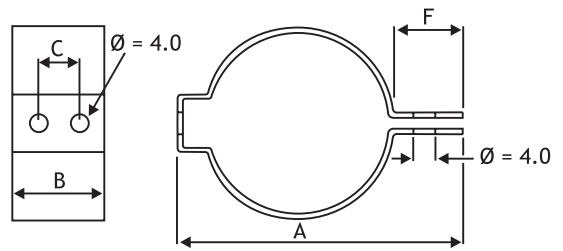


CLIPS

**DIMENSIONS mm MATERIAL Zinc plated steel**

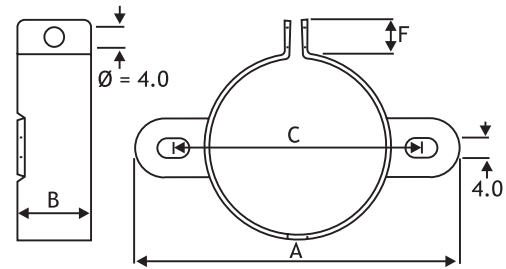
**Horizontal Mounting**

TYPE	CAN DIA	A	B	C	F
H1	25.0	40.0	22.3	12.8	10.0
H2	35.0	52.0	22.3	12.8	10.0

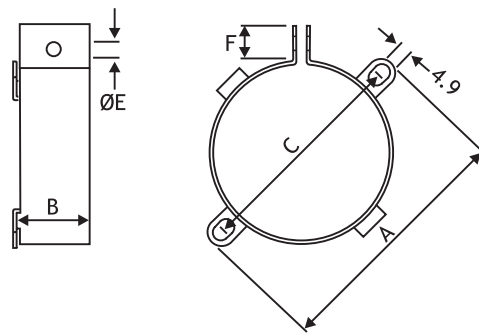


**Vertical Mounting**

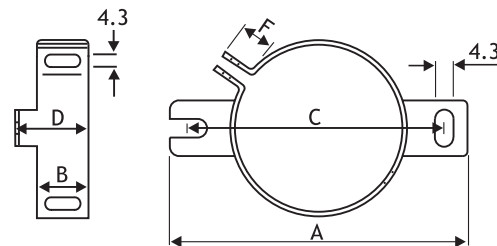
TYPE	CAN DIA	A	B	C	F
V2	25.0	49.0	19.0	37.0	10.0
V3	35.0	58.0	19.0	45.0	9.0
V9	40.0	65.0	19.0	52.4	9.5



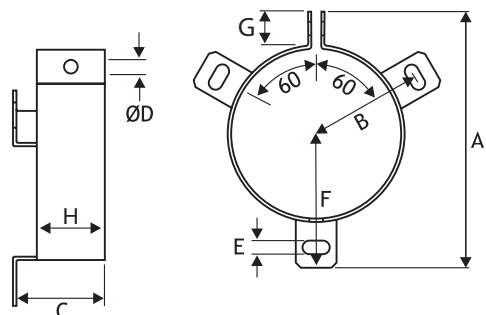
TYPE	CAN DIA	A	B	C	E	F
V4	51.0	75.0	25.4	64.0	5.0	10.0
V6	45.0	69.5	17.4	58.0	4.0	10.0
V8	63.5	88.9	25.4	77.5	5.0	9.5
PYC6041	35	64	19	52	4.5	11.5



TYPE	CAN DIA	A	B	C	D	F
UTE2736	35.0	63.0	12.2	54.0	17.2	9.0



TYPE	CAN DIA	A	B	C	D	E	F	G	H
V10	65.0	90.0	40.0	30.0	5.0	4.5	-	10	20
V11	76.0	103.0	45.5	30.0	5.0	4.5	-	10	20
V90	90.0	116.0	53.5	30.0	5.0	4.5	-	10	20
UTE2737	50.0	75.5	33.5	27.0	4.3	4.3	39.5	10	20
UTE2738	65.0	88.5	39.0	27.0	4.3	4.3	45.0	10	20
UTE2739	72.0	97.0	44.0	28.0	4.3	4.3	50.0	10	20
PYC6042	50	78	32.5	30	5.5	4.5	39	12	19
PYC6043	65	90.5	38	36	5.5	4.5	44	12	25
PYC6044	75	100.5	43	36	5.5	4.5	49	12	25
PYC6045	90	115.5	50.5	36	5.5	4.5	56.5	12	25



**Notes**

When using mounting clamps care should be taken not to obscure any safety vent in the can. Delivered without bolts and nuts for mounting. PYC clips are for PEH169 & PEH200 capacitors.