



Chipsmall Limited consists of a professional team with an average of over 10 year of expertise in the distribution of electronic components. Based in Hongkong, we have already established firm and mutual-benefit business relationships with customers from,Europe,America and south Asia,supplying obsolete and hard-to-find components to meet their specific needs.

With the principle of “Quality Parts,Customers Priority,Honest Operation,and Considerate Service”,our business mainly focus on the distribution of electronic components. Line cards we deal with include Microchip,ALPS,ROHM,Xilinx,Pulse,ON,Everlight and Freescale. Main products comprise IC,Modules,Potentiometer,IC Socket,Relay,Connector.Our parts cover such applications as commercial,industrial, and automotives areas.

We are looking forward to setting up business relationship with you and hope to provide you with the best service and solution. Let us make a better world for our industry!



Contact us

Tel: +86-755-8981 8866 Fax: +86-755-8427 6832

Email & Skype: info@chipsmall.com Web: www.chipsmall.com

Address: A1208, Overseas Decoration Building, #122 Zhenhua RD., Futian, Shenzhen, China



1 2 3 4 5 6 7

A

B

C

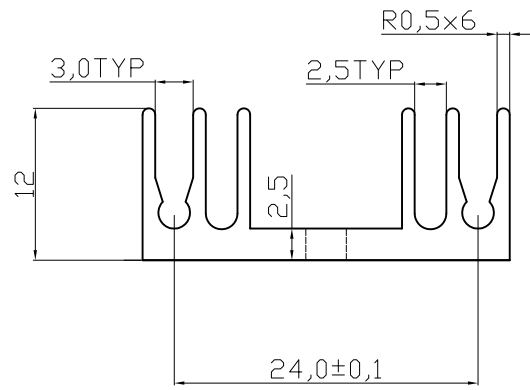
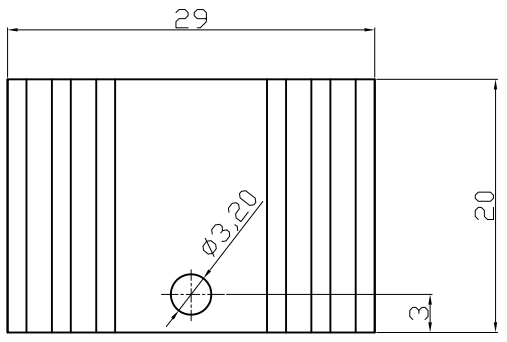
D

E

F

G

H



Material: AL6063-T5
Finished: Black Anodized

Option	Thermal resistance(K/W)	Hole pattern	L
V4330N	12	TO-220	20

RoHS compliant
Unit: mm

Scale	Free					Date	Name	Customer-No.
TOLERANCE						Drawn	11.08.2009	Dean
X.	±X	④	Change production plant	07.06.2013	Amy	Approved	07.06.2013	Amy
X.X	±X	③	Modify P/N and drawing	26.04.2010	Dean			
UNIT	±0.3	②	Modify drawing layout	10.03.2010	Alex			
DIM	Tol	①	Drawn	11.08.2009	Dean			
X.°	±X°							
X.X°	±X°							
Angle	TOL	Id.	Modification	Date	Name			

Option	Thermal resistance(K/W)	Hole pattern	L
V4330N	12	TO-220	20

ASSMANN
WSW components

ASS 0458 HS rev04

Replace Sheet

1 2 3 4 5 6 7