



Chipsmall Limited consists of a professional team with an average of over 10 year of expertise in the distribution of electronic components. Based in Hongkong, we have already established firm and mutual-benefit business relationships with customers from,Europe,America and south Asia,supplying obsolete and hard-to-find components to meet their specific needs.

With the principle of “Quality Parts,Customers Priority,Honest Operation,and Considerate Service”,our business mainly focus on the distribution of electronic components. Line cards we deal with include Microchip,ALPS,ROHM,Xilinx,Pulse,ON,Everlight and Freescale. Main products comprise IC,Modules,Potentiometer,IC Socket,Relay,Connector.Our parts cover such applications as commercial,industrial, and automotives areas.

We are looking forward to setting up business relationship with you and hope to provide you with the best service and solution. Let us make a better world for our industry!



Contact us

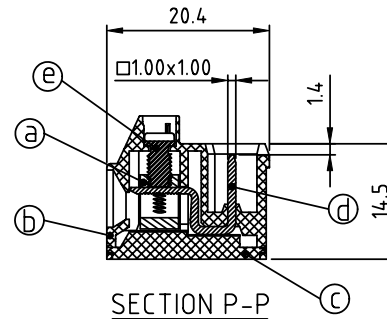
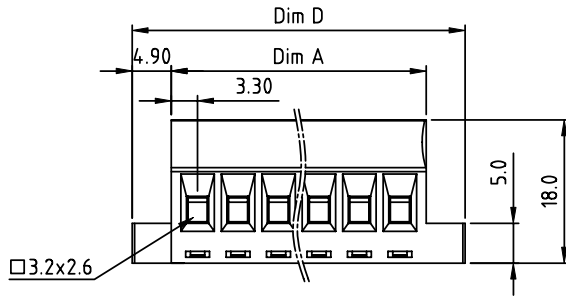
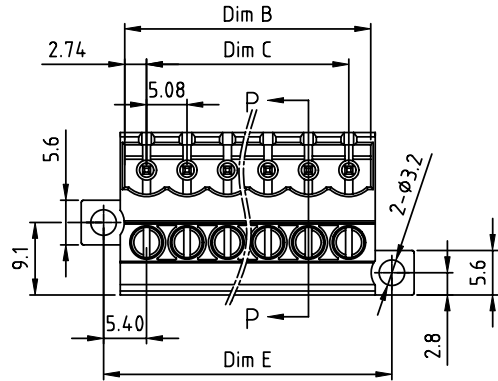
Tel: +86-755-8981 8866 Fax: +86-755-8427 6832

Email & Skype: info@chipsmall.com Web: www.chipsmall.com

Address: A1208, Overseas Decoration Building, #122 Zhenhua RD., Futian, Shenzhen, China



PRODUCT NUMBER	PITCH
V5xx51x000J0G	5.08 mm



Material:

- Item ③ Clamp: Brass Ni plated
- Item ④ Terminal(housing):Thermoplastic (UL94V-0)
- Item ⑤ Terminal(cover): Thermoplastic (UL94V-0)
- Item ⑥ Pin: Brass,Tin plated.
- Item ⑦ Terminal screw: Steel Zinc plating solt "-"type M3

Electrical:

- Voltage rating: 300V
- Current rating: 12A
- Wire range:
- Solid wire(AWG): 12-30
- Stranded wire(AWG): 12-30
- Torque(Lb-In): 4.4
- Screw: M3
- Wire strip length: 6 - 7 mm
- Withstanding Voltage: 1.6KV
- Operating temperature: -40°C to +115°C
- Safety Approval:

DIMENSION

Dim A	Nx5.08+1.52
Dim B	(N-1)x5.08+5.48
Dim C	(N-1)x5.08
Dim D	Nx5.08+11.32
Dim E	(N-1)x5.08+10.8

N=Number of poles

Poles	Tolerance
2P-6P	±0.20
7P-12P	±0.25
13P-18P	±0.30
19P-24P	±0.40

PART NO.: V5 xx 51 x 0 00J0 G

		Color	RoHS compliant
Solid block	0	Black (RAL9005)	(lead<4%)
No. of poles	2	Red (RAL3001/D)	In copper Alloy
02	2 poles	3 Orange(RAL2011/P)	
03	3 poles	4 Yellow(RAL1018/A)	
...	...	5 Green(RAL6018/T)	
24	24 poles	6 Blue (RAL5015/A)	
		8 Grey(RAL7035/D)	
		9 White(RAL1102)	
		C Green(RAL6018/U)	

mat'l. code		surface ASME Y14.5	tolerance ASME Y14.5	projection	product family
ltr ecn no dr date		tolerances unless otherwise specified			TERMINAL BLOCK
		angles	X.±0.5	MM	title
		fillet	X.X±0.3	scale	TERMINAL BLOCK
		X*±1"	X.XX±0.1		PLUGGABLE PLUG,BOTTOM COVER FIXED TYPE
		dr	EVIN ZHONG 050414		dwg no
		enr	EVIN ZHONG 050414		sheet 1 of 1
		chr	HANKE FENG 050414		size
		appd	SHI JUN 050414		A4
sheet index	revision sheet	A			type
		1			CUSTOMER Drawing