



Chipsmall Limited consists of a professional team with an average of over 10 year of expertise in the distribution of electronic components. Based in Hongkong, we have already established firm and mutual-benefit business relationships with customers from,Europe,America and south Asia,supplying obsolete and hard-to-find components to meet their specific needs.

With the principle of “Quality Parts,Customers Priority,Honest Operation,and Considerate Service”,our business mainly focus on the distribution of electronic components. Line cards we deal with include Microchip,ALPS,ROHM,Xilinx,Pulse,ON,Everlight and Freescale. Main products comprise IC,Modules,Potentiometer,IC Socket,Relay,Connector.Our parts cover such applications as commercial,industrial, and automotives areas.

We are looking forward to setting up business relationship with you and hope to provide you with the best service and solution. Let us make a better world for our industry!



Contact us

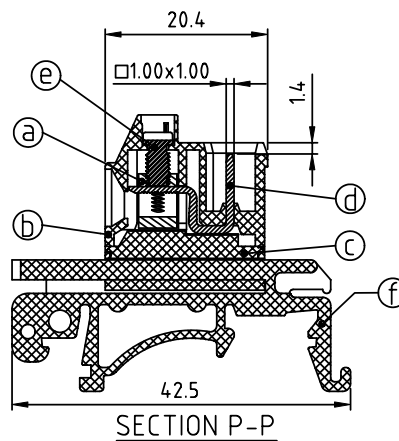
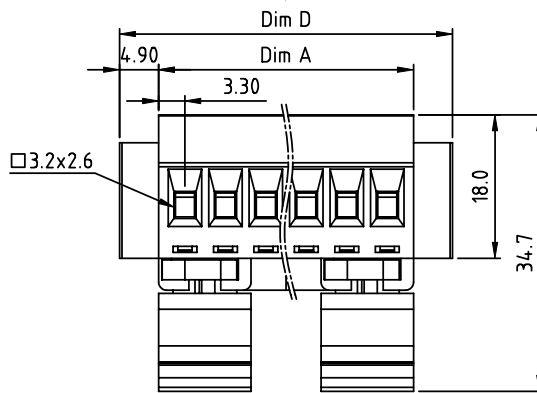
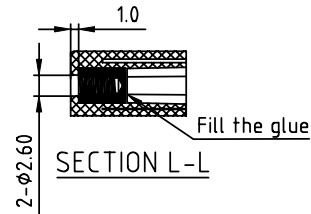
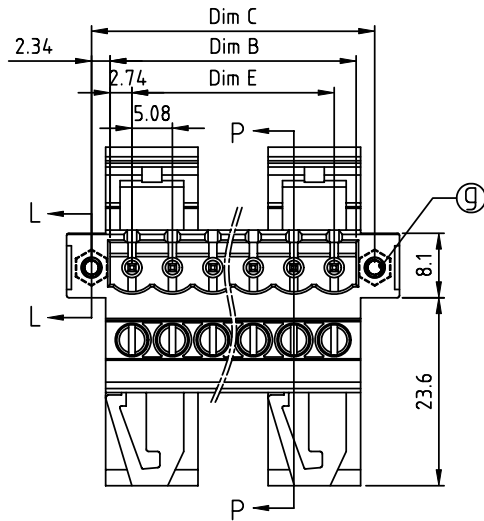
Tel: +86-755-8981 8866 Fax: +86-755-8427 6832

Email & Skype: info@chipsmall.com Web: www.chipsmall.com

Address: A1208, Overseas Decoration Building, #122 Zhenhua RD., Futian, Shenzhen, China



PRODUCT NUMBER	PITCH
V5xx51x500J0G	5.08 mm



Material:

- Item ① Clamp: Brass, Ni plated
- Item ② Terminal(housing): Thermoplastic (UL94V-0)
- Item ③ Terminal(cover): Thermoplastic (UL94V-0)
- Item ④ Pin: Brass, Tin plated.
- Item ⑤ Terminal screw: Steel, Zinc plating salt "-" type M3
- Item ⑥ Terminal(track): Thermoplastic (UL94V-0)
- Item ⑦ With flange nut: Brass M2.5

Electrical: cULus

- Voltage rating:300V
- Current rating: 12A
- Wire range:
- Solid wire(AWG):12-30
- Stranded wire(AWG):12-30
- Torque(Lb-In): 4.4
- Screw:M3
- Wire strip length: 6-7 mm
- Withstanding Voltage: 1.6KV
- Operating temperature: -40°C to +115°C
- Safety Approval:

PART NO.: V5 xx 51 x 5 00J0 G

DIMENSION

Dim	Nx5.08+1.52	N=Number of poles	
		Poles	Tolerance
Dim A	(N-1)x5.08+5.48	2P-6P	±0.20
Dim B	(N-1)x5.08+10.16	7P-12P	±0.25
Dim C	Nx5.08+11.32	13P-18P	±0.30
Dim D	(N-1)x5.08	19P-24P	±0.40

		Color		RoHS compliant (lead<4%) In copper Alloy
Solid block	No. of poles			
0	2	Black (RAL9005)		
02	2 poles	Red (RAL3001/D)		
03	3 poles	Orange(RAL2011/P)		
...	...	4 Yellow(RAL1018/A)		
...	...	5 Green(RAL6018/T)		
24	24 poles	6 Blue (RAL5015/A)		
		8 Grey(RAL7035/D)		
		9 White(RAL1102)		
		C Green(RAL6018/U)		

mat'l. code				surface ASME Y14.5	tolerance ASME Y14.5	projection	product family TERMINAL BLOCK	
ltr	ecn no	dr	date	tolerances unless otherwise specified		MM	title	
				angles	X.±0.5		TERMINAL BLOCK PLUGGABLE PLUG, WITH FLANGE DIN RAIL MOUNTING, B TYPE	
				E	X.X±0.3	scale	dwg no	
				X'±1"	X.XX±0.1		V5xx51x500J0G	
				dr	EVIN ZHONG 050414		sheet 1 of 1	
				enrg	EVIN ZHONG 050414		size	
				chr	HANKE FENG 050414		A4	
				appd	SHI JUN 050414		type	
sheet index	revision	A					CUSTOMER Drawing	