



Chipsmall Limited consists of a professional team with an average of over 10 year of expertise in the distribution of electronic components. Based in Hongkong, we have already established firm and mutual-benefit business relationships with customers from,Europe,America and south Asia,supplying obsolete and hard-to-find components to meet their specific needs.

With the principle of “Quality Parts,Customers Priority,Honest Operation,and Considerate Service”,our business mainly focus on the distribution of electronic components. Line cards we deal with include Microchip,ALPS,ROHM,Xilinx,Pulse,ON,Everlight and Freescale. Main products comprise IC,Modules,Potentiometer,IC Socket,Relay,Connector.Our parts cover such applications as commercial,industrial, and automotives areas.

We are looking forward to setting up business relationship with you and hope to provide you with the best service and solution. Let us make a better world for our industry!



Contact us

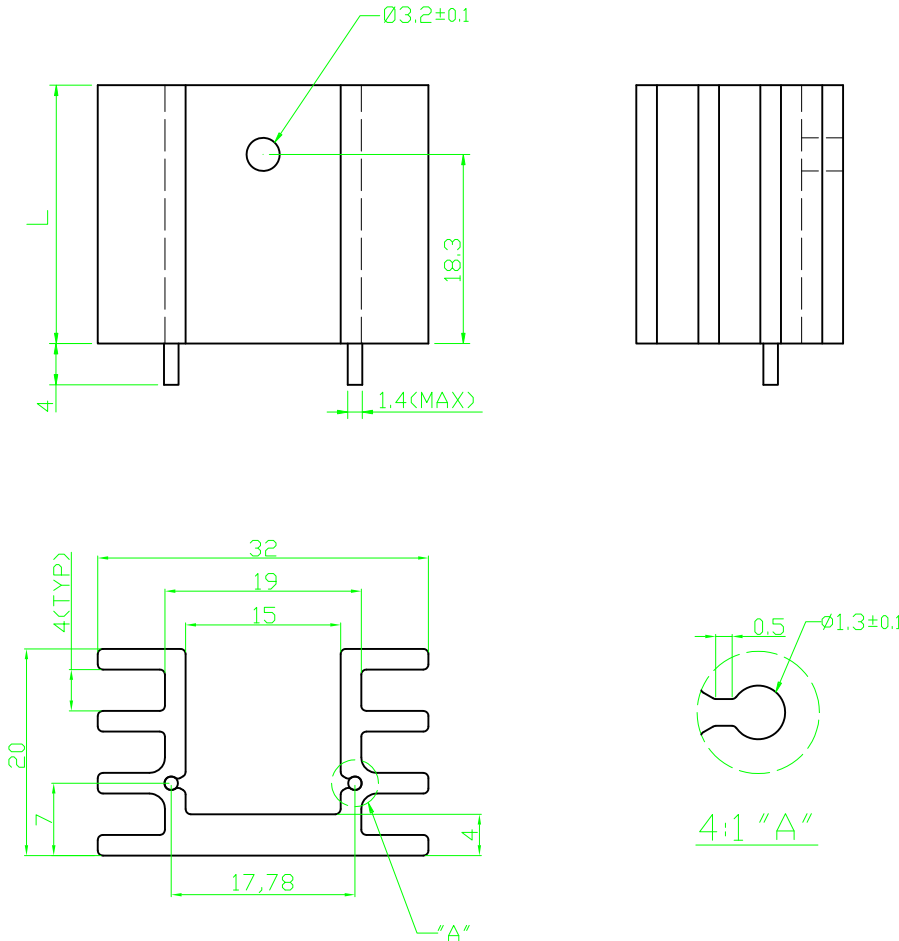
Tel: +86-755-8981 8866 Fax: +86-755-8427 6832

Email & Skype: info@chipsmall.com Web: www.chipsmall.com

Address: A1208, Overseas Decoration Building, #122 Zhenhua RD., Futian, Shenzhen, China



RoHS compliant



Notes
Finished : Black Anodized

Option	L	Thermal resistance(K/W)
V5220W	25	10
V5220X	37.5	8
V5220Y	50	7

Scale	1:1					Date	Name	Customer-No.		
TOLERANCE					Drawn	19.03.2002	Hellwig			
					Approved	10.03.2010	Andy	ASSMANN WSW-No. V5220x		
UNIT	±X	③	Modify drawing layout	10.03.2010	Alex					
DIM	TOL	②	Update	11.08.2009	Dean			Drawing-No.		
X.°	±X°								ASS 0498 HS	rev03
X.X°	±X°	①	Drawn	19.03.2002	Hellwig			Replace	Sheet	
Angle	TOL	Id.	Modification	Date	Name					

1

2

3

4

5

6

7