



Chipsmall Limited consists of a professional team with an average of over 10 year of expertise in the distribution of electronic components. Based in Hongkong, we have already established firm and mutual-benefit business relationships with customers from,Europe,America and south Asia,supplying obsolete and hard-to-find components to meet their specific needs.

With the principle of “Quality Parts,Customers Priority,Honest Operation,and Considerate Service”,our business mainly focus on the distribution of electronic components. Line cards we deal with include Microchip,ALPS,ROHM,Xilinx,Pulse,ON,Everlight and Freescale. Main products comprise IC,Modules,Potentiometer,IC Socket,Relay,Connector.Our parts cover such applications as commercial,industrial, and automotives areas.

We are looking forward to setting up business relationship with you and hope to provide you with the best service and solution. Let us make a better world for our industry!



Contact us

Tel: +86-755-8981 8866 Fax: +86-755-8427 6832

Email & Skype: info@chipsmall.com Web: www.chipsmall.com

Address: A1208, Overseas Decoration Building, #122 Zhenhua RD., Futian, Shenzhen, China



1 2 3 4 5 6 7

A

B

C

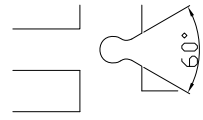
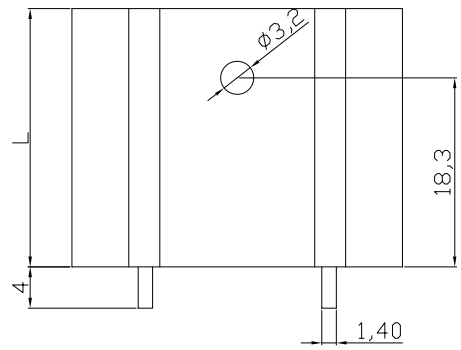
D

E

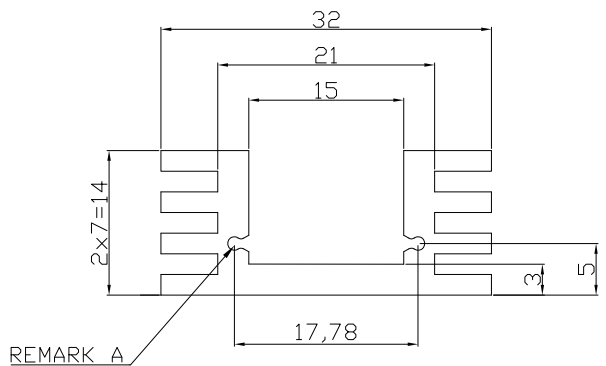
F

G

H



REMARK A
2 : 1



Notes
Material : AL6063-T5
Finished : Black Anodized
UNSPECIFIED R=0.3MM

Option	L	Thermal resistance(K/W)
V5229W	25	12.5
V5229X	37.5	10
V5229Y	50	8.5

RoHS compliant
Unit: mm

Scale	Free					Date	Name	
TOLERANCE						Drawn	11.08.2009	Dean
X.	±X					Approved	07.06.2013	Amy
X.X	±X							
UNIT	±0.2	③	Change production plant	07.06.2013	Amy			
DIM	Tol	②	Modify drawing layout	10.03.2010	Alex			
X.°	±X°	①	Drawn	11.08.2009	Dean			
X.X°	±X°							
Angle	TOL	Id.	Modification	Date	Name			

Customer-No.	
ASSMANN WSW-No. V5229x	
Drawing-No. ASS 0871 HS	rev03
Replace	Sheet

1 2 3 4 5 6 7