



Chipsmall Limited consists of a professional team with an average of over 10 year of expertise in the distribution of electronic components. Based in Hongkong, we have already established firm and mutual-benefit business relationships with customers from,Europe,America and south Asia,supplying obsolete and hard-to-find components to meet their specific needs.

With the principle of “Quality Parts,Customers Priority,Honest Operation,and Considerate Service”,our business mainly focus on the distribution of electronic components. Line cards we deal with include Microchip,ALPS,ROHM,Xilinx,Pulse,ON,Everlight and Freescale. Main products comprise IC,Modules,Potentiometer,IC Socket,Relay,Connector.Our parts cover such applications as commercial,industrial, and automotives areas.

We are looking forward to setting up business relationship with you and hope to provide you with the best service and solution. Let us make a better world for our industry!



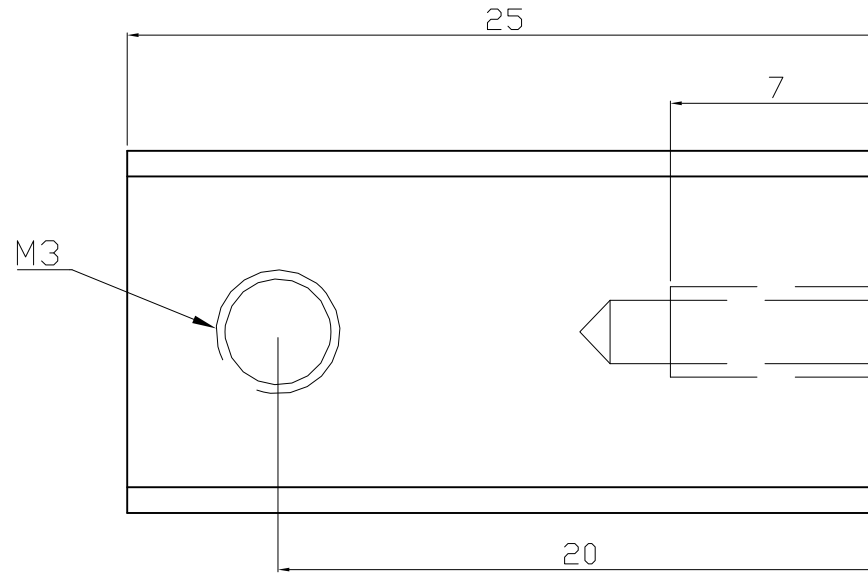
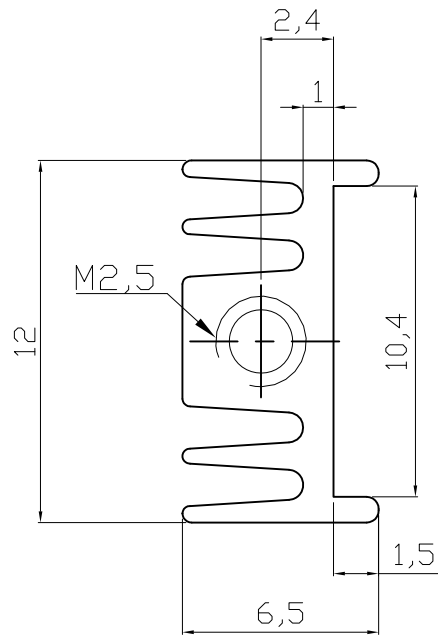
## Contact us

Tel: +86-755-8981 8866 Fax: +86-755-8427 6832

Email & Skype: info@chipsmall.com Web: www.chipsmall.com



Address: A1208, Overseas Decoration Building, #122 Zhenhua RD., Futian, Shenzhen, China





④ Note:  
Material: AL 6063  
Finish: Black anodized

**RoHS compliant**  
Unit: mm

Scale	Free					Date	Name	Customer-No.
TOLERANCE					Drawn	07.09.2006	Storb	
X.	±X	④	Change production plant	07.06.2013	Amy	Approved	07.06.2013	Amy
X.X	±X	③	Modify drawing layout	10.03.2010	Alex			
UNIT	±0.2	②	Update	11.08.2009	Dean	 		
DIM	Tol	①	Drawn Drawn	07.09.2006	Storb			
X.°	±X°							
X.X°	±X°							
Angle	TOL	Id.	Modification	Date	Name			

ASSMANN WSW-No.  
V5629G

Drawing-No.  
ASS 0620 HS rev04

Replace Sheet

**RoHS compliant**  
Unit: mm