



Chipsmall Limited consists of a professional team with an average of over 10 year of expertise in the distribution of electronic components. Based in Hongkong, we have already established firm and mutual-benefit business relationships with customers from,Europe,America and south Asia,supplying obsolete and hard-to-find components to meet their specific needs.

With the principle of “Quality Parts,Customers Priority,Honest Operation,and Considerate Service”,our business mainly focus on the distribution of electronic components. Line cards we deal with include Microchip,ALPS,ROHM,Xilinx,Pulse,ON,Everlight and Freescale. Main products comprise IC,Modules,Potentiometer,IC Socket,Relay,Connector.Our parts cover such applications as commercial,industrial, and automotives areas.

We are looking forward to setting up business relationship with you and hope to provide you with the best service and solution. Let us make a better world for our industry!



Contact us

Tel: +86-755-8981 8866 Fax: +86-755-8427 6832

Email & Skype: info@chipsmall.com Web: www.chipsmall.com

Address: A1208, Overseas Decoration Building, #122 Zhenhua RD., Futian, Shenzhen, China



1 2 3 4 5 6 7

A

B

C

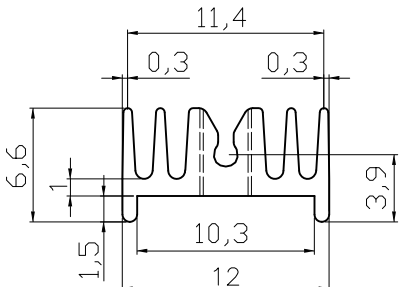
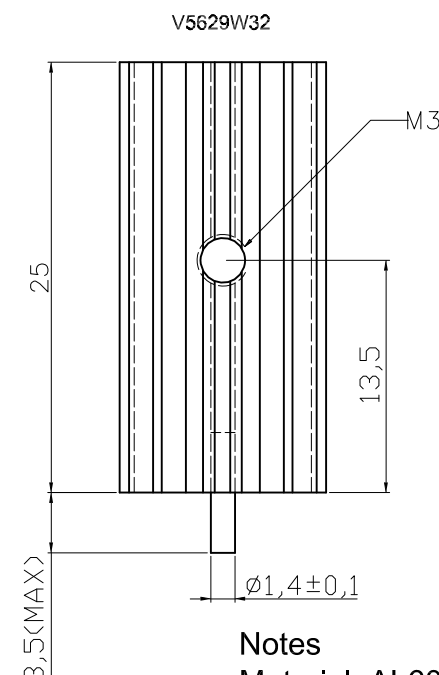
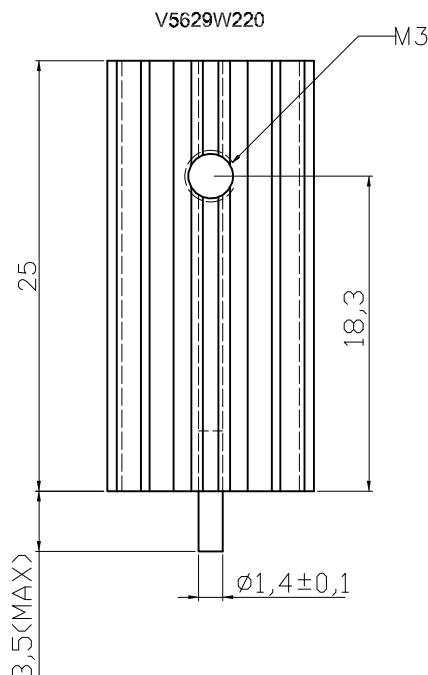
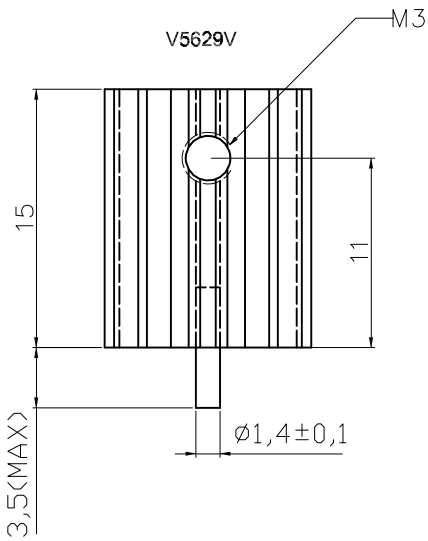
D

E

F

G

H



Notes
Material: AL6063-T5
Finished:Black Anodizde

Option	Hole Pattern	Thermal resistance(K/W)
V5629V	SOT-32	④ 38.5
V5629W220	TO-220	④ 36
V5629W32	SOT-32	④ 36

RoHS compliant
Unit: mm

Scale	Free					Date	Name	Customer-No.
TOLERANCE						Drawn	19.03.2002	Hellwig
unit	±0.2							
		④	Update the thermal resistance	20.08.2013	Amy	Approved	20.08.2013	Amy
		③	Modify drawing layout	10.03.2010	Alex			
DIM	TOL	②	Update	11.08.2009	Dean			
X.°		①	Drawn	19.03.2002	Hellwig			
Angle	TOL	Id.	Modification	Date	Name			

ASSMANN WSW-No.		V5629x
Drawing-No.		
ASS 0500 HS		rev04
Replace		Sheet

1 2 3 4 5 6 7